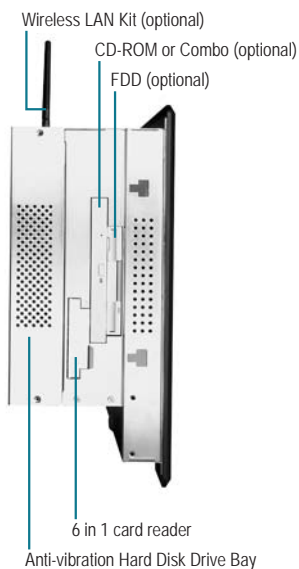
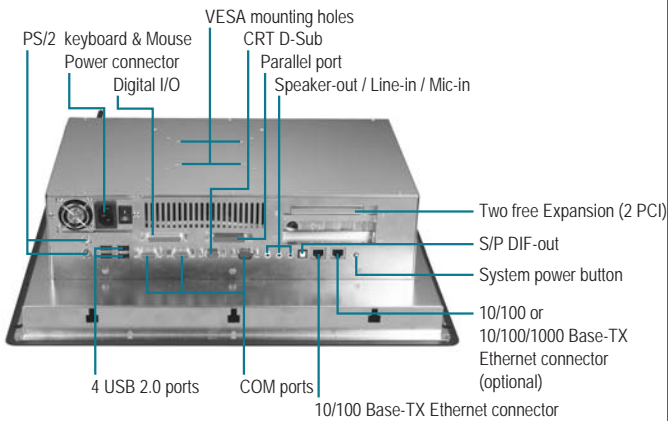
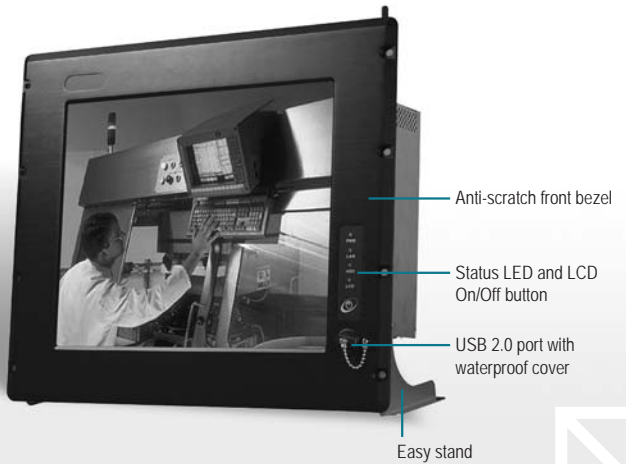


APC-8172

Industrial Computing Platform Partner

Intel® Pentium® 4 and Celeron® Processors-based Industrial Robust Panel PC with 17" TFT LCD & 2 Expansion Slots



Features

- 17" TFT SXGA (1280 x 1024) LCD
- Socket 478-based Intel® Pentium® 4 and Celeron® Processors, Hyper-Threading Technology Supported
- Anti-vibration Disk Drive Bay for Hard Disk Drive
- Anti-scratch & Waterproof Aluminum Front Panel with USB Port has IP-65 Certification
- Up to 16 in or 16 out Digital I/O
- Resistive Touchscreen (optional)
- Two Free PCI Expansion Slots



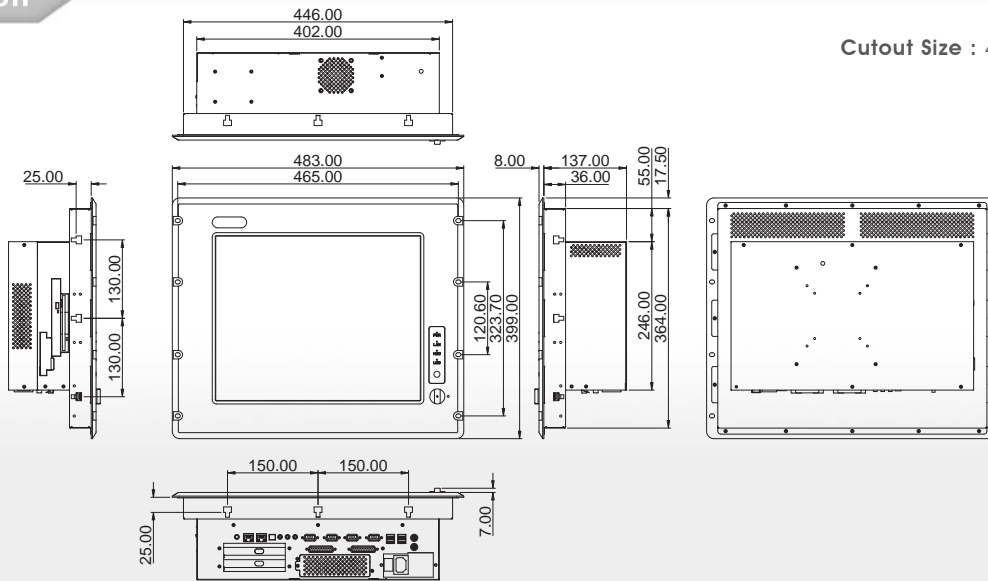
Specifications

System	
CPU	Socket 478-based Intel® Pentium® 4 and Celeron® processors, Hyper-Threading Technology supported (FSB 400/533MHz)
Memory	Supports up to 1GB DDR 184-pin SDRAM (200/266/333MHz)
LCD/CRT Controller	Intel® i845GV, AGP 4X
Ethernet	Intel® 82562, 10/100Base-TX RJ-45 connector x 1
I/O Port	3 serial ports : 2 x RS-232, 1 x RS-232/422/485 (COM 4 is reserved for touchscreen) 1 parallel port (supports ECP/EPP) 1 PS/2 mouse port 1 PS/2 keyboard port 1 VGA port 4 USB 2.0 ports (on rear chassis) 1 USB 2.0 port (on front panel) (protectable by BIOS) MIC-in, Line-in, Speaker-out, S/P DIF-out 1 digital I/O (Supports up to 16 in or 16 out)
Storage Disk Drive	Anti-vibration 2.5" Hard Disk Drive, Slim Floppy Disk Drive and Slim CD-ROM 6 in 1 card reader: Supports CompactFlash™, Secure Digital, Multi Media Card, Memory Stick (PRO) and Smart Media
Expansion Slot	2 x PCI, 1 x Mini PCI
OS Support	Windows® 2000, Windows® XP, Windows® XP Embedded (optional)
Mechanical	
Construction	Heavy-duty steel chassis IP-65 certified anti-scratch aluminum front panel (or optional stainless steel front panel)
Front Panel Color	PMS 2965C (Dark Blue)
Mounting	Panelmount, Rackmount, VESA 75/100mm holes
Dimension	19" (W) x 15.7" (H) x 5.7" (D) (483mm x 399mm x 145mm)
Carton Dimension	24.4" (W) x 20.6" (H) x 13.8" (D) (620mm x 522mm x 351mm)
Gross Weight	39.2lb (17.8Kg)

Dimension

Unit : mm

Cutout Size : 449*367mm



Environmental	
Operating Temperature	32°F ~ 122°F (0°C ~ 50°C)
Storage Temperature	-4°F ~ 140°F (-20°C ~ 60°C)
Operating Humidity	10 to 90% @ 35°C, non-condensing
Vibration	Random operation 1.5G, 5 ~ 500Hz
Shock	15G peak acceleration (11 msec. duration)
EMC	CE/FCC Class B
Power Supply	
AC input 250W (W/ Active PFC)	Input : 100V AC ~ 240V AC ±10% @ 47 ~ 63Hz Output (Max.) : +5V @ 25A, +12V @ 13A, -12V @ 0.8A
LCD	
Display Type	17" color TFT LCD
Max. Resolution	1280 x 1024
Max. Colors	256K
Dot Size	0.264mm x 0.264mm
Luminance	260 cd/m ² (TYP.)
Viewing Angle	140° (H) 140° (V)
Back Light MTBF	50,000 hrs
Touchscreen (optional)	
Type	8-wire, analog resistive
Resolution	2048 x 2048
Light Transmission	76%
Lifetime	1 million activations
OS Support	Windows® 2000, Windows® XP, Windows® XP Embedded(Optional)

Ordering Information

- **APC-8172HT-A1**
Pentium® 4/Celeron® Panel PC with 17" TFT, AC Power Supply, Two Free Expansion Slots
- **APC-8172HTT-A1**
APC-8172HT-A1 with Resistive Touchscreen
- **APC-8172HTT-P1**
APC-8172HTT-A1 with Windows® XP Embedded(English) on 512MB DOM

Optional Accessories

- **ARM-WK075-0**
Wallmount Kit with VESA 75/100mm Standards
- **9741666644**
Wireless LAN Kit, IEEE802.11b/g, with Antenna
- **PER-V30C-A10-P1**
Video Capture Card Kit
- **1759200158**
CPU Cooler for Pentium® 4 CPU
- Slim CD-ROM/Combo/DVD-ROM
- Slim Floppy Disk Drive
- 2.5" Hard Disk Drive
- **9761815202**
10/100 Base-TX Ethernet Kit, Realtek 8100C
- **9761815203**
10/100/1000 Base-TX Ethernet Kit, Realtek 8110S