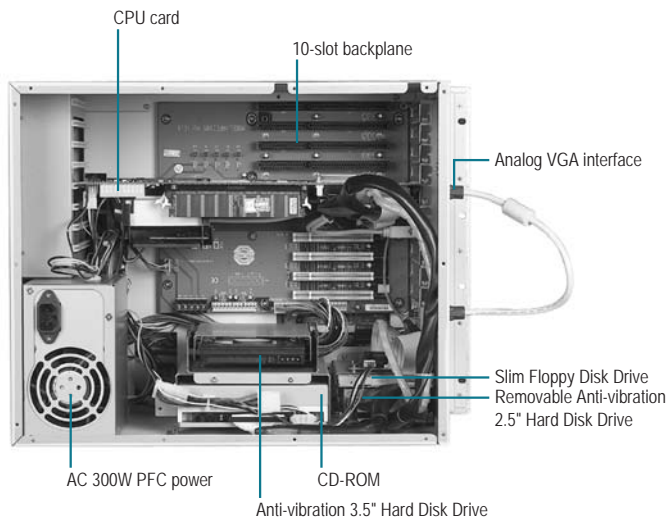
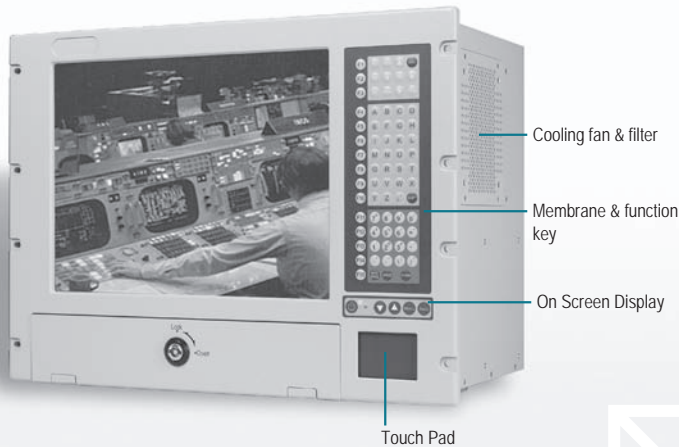


# AWK-3501

Industrial Computing Platform Partner

## Industrial Workstation with 15" TFT LCD and 10 Expansion Slots



### Features

- 15" XGA (1024 x 768) Color TFT LCD
- Aluminum Alloy Front Panel and Heavy-Duty Steel Chassis
- Disk Drive Bay for CD-ROM, Slim Floppy Disk Drive and 3.5"/2.5" Hard Disk Drive
- Analog VGA Interface
- 4 x PCI, 4 x ISA, 2 x PICMG Bus Passive Backplane
- Supports Intel® Pentium® III or Intel® Pentium® 4 level Full-size CPU Cards
- Front Panel with IP-65 Certification

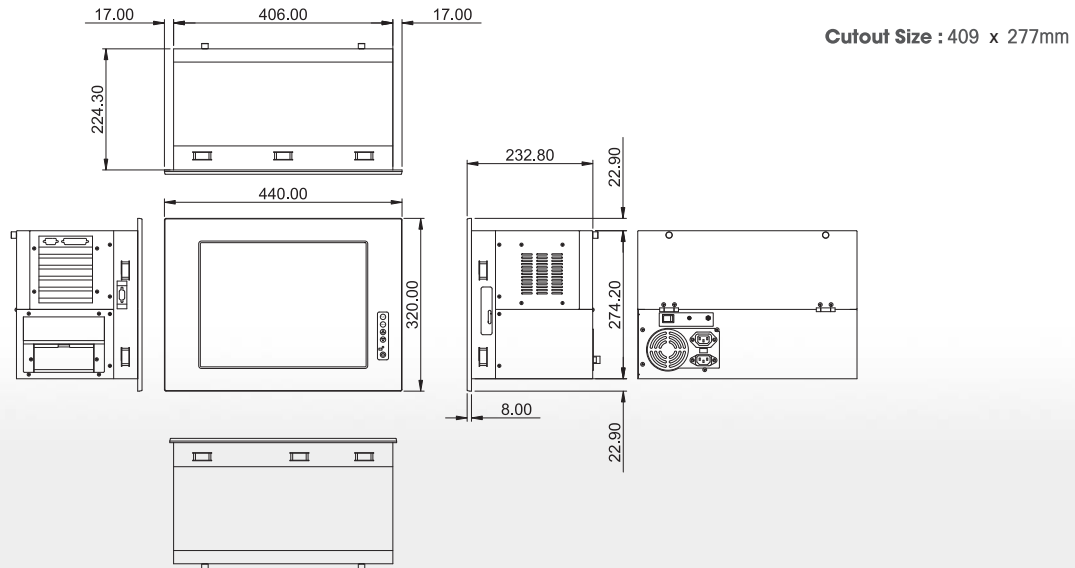


### Specifications

| System                     |   |
|----------------------------|---|
| Storage Disk Drive         | 3.5" Hard Disk Drive, Slim Floppy Disk Drive, CD-ROM, 2.5" Hard Disk Drive (optional)   |
| USB Connector              | Dual USB ports  |
| Membrane Keypads           | One with 59 data-keys, one with 12 function keys and 3 programmable function keys   |
| Keyboard/Mouse Connector   | PS/2 connector on front panel   |
| Expansion Slot             | 4 x PCI or 4 x ISA and 2 x PICMG  |
| Power Supply               | Universal 300W with Power Factor Correcting switching power supply  |
| OS Support                 | MS DOS, Windows® XP, Windows® 2000  |
| Mechanical                 |   |
| Construction               | Aluminum alloy front panel and heavy-duty steel chassis   |
| Front Panel Color          | RAL-7305  |
| Dimension                  | 19" (W) x 14" (H) x 10.5" (D) (483mm x 354mm x 266.6mm)   |
| Carton Dimension           | 26.6" (W) x 18.3" (H) x 17.9" (D) (675mm x 465mm x 455mm)   |
| Gross Weight               | 57.3 lb (26 Kg)   |
| Environmental              |   |
| Operating Temperature      | 32°F ~ 122°F (0°C ~ 50°C)   |
| Operating Humidity         | 5 to 90%, non-condensing  |
| Vibration                  | 1G / 5 ~ 500Hz (Random) / operation   |
| Shock                      | 15G peak acceleration (11 msec. duration) / operation   |
| EMC                        | CE/FCC Class A  |
| SBC-780 CPU Card Companion |   |
| CPU                        | Supports Socket 370-based Intel® Pentium® III and VIA C3™ processor up to 1.4GHz (FSB 66/100/133MHz)  |
| Memory                     | Supports up to 1GB SDRAM (168-pin SDRAM DIMM x 2)   |
| LCD/CRT Controller         | VIA VT8606 onboard VGA controller, shared memory up to 32MB. CRT & LCD panel support.   |
| Ethernet                   | Realtek 8139D 10/100 Base-TX Ethernet controller (optional for two LAN)   |
| I/O Port                   | 2 serial ports: 1 x RS-232, 1 x RS-232/422/485 (One is reserved for touchscreen)<br>1 parallel port (supports ECP/EPP)<br>1 PS/2 keyboard and mouse interface |

## Dimension

Unit : mm



| SBC-860 CPU Card Companion                 |   |
|--|---|
| CPU  | Supports Socket 478-based Intel® Pentium® 4 processor up to 3.06GHz (FSB 400/533MHz)  |
| Memory                                     | Supports up to 2GB SDRAM (184-pin DDR SDRAM DIMM x 2)   |
| LCD/CRT Controller                         | Intel® 82845GV onboard VGA controller, shared memory up to 64MB. CRT panel support only.  |
| Ethernet                                   | Option 1: 10/100 Base-TX Ethernet controller (standard)<br>Option 2: 2 x 10/100 Base-TX Ethernet controller<br>Option 3: 1 x 10/100 Base-TX Ethernet controller and 1 x Gigabit Ethernet controller |
| I/O port                                   | 2 serial ports: 1 x RS-232, 1 x RS-232/422/485<br>(One is reserved for touchscreen)<br>1 parallel port (supports ECP/EPP)<br>1 PS/2 keyboard and mouse interface                                    |
| Power Supply                               |   |
| AC Input<br>300W w/Power Factor Correcting | Input: 100 ~ 240V AC Full Range, 47-63Hz<br>Output: +5V@30A, -5V@0.5A, +12V@18A, -12V@1A, 3.3V@15A, +5V@2A  |
| 24V DC Input<br>300W (Optional)            | Input: 19-32V DC<br>Output: +5V@30A, -5V@2A, +12V@15A, -12V@2A, 3.3V@15A, +5V@1.2A  |
| LCD  |   |
| Display Type                               | 15" color TFT LCD   |
| Max. Resolution                            | 1024 x 768  |
| Max. Colors                                | 262K  |
| Dot Size                                   | 0.297mm x 0.297mm   |
| Luminance                                  | 250 cd/m <sup>2</sup> (TYP.)  |
| Viewing Angle                              | 160° (H) 150° (V)   |
| Brightness Control                         | Yes   |
| Back Light MTBF                            | 30,000 hrs  |
| Touchscreen (optional)                     |   |
| Type                                       | 8-wire, analog resistive  |
| Resolution                                 | 2048 x 2048   |
| Light Transmission                         | 75%   |
| Lifetime                                   | 1 million activations   |
| OS Support                                 | MS DOS, Windows® 2000, Windows® XP  |

## Ordering Information

- **AMB-551HT-D1**  
15" TFT, 5-slot Backplane, 300W ATX AC Power Supply
- **AMB-551HT-D2**  
15" TFT, 5-slot Backplane, 300W DC 24V Power Supply
- **AMB-551HHT-D1**  
AMB551HT-D1 with Resistive Touchscreen
- **AMB-551HHT-D2**  
AMB551HTT-D1 with Resistive Touchscreen

## Optional Accessories

- **SBC-780**  
Full-size Intel® Pentium® III Processor CPU Card
- **SBC-860**  
Full-size Intel® Pentium® 4 Processor CPU Card
- **1759200329**  
CPU Cooler for SBC-780
- **1759200155**  
CPU Cooler for SBC-860

1

Medical Station Solutions - ONYX Series

2

Fanless Operator Panel Solutions - OMNI Series

3

Robust Panel PC Solutions

4

Industrial Workstation Solutions

5

Industrial Monitor Solutions

6

Embedded Control PC-BOXER Series

7

Accessory Sunreadable LCD Monitors

8

Common Accessories