

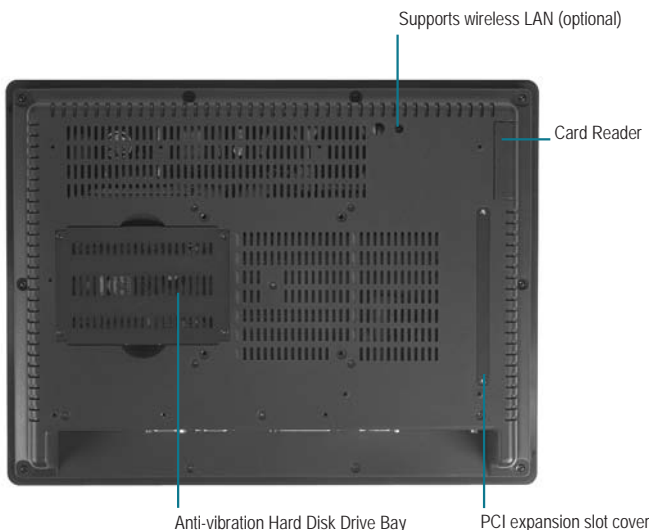
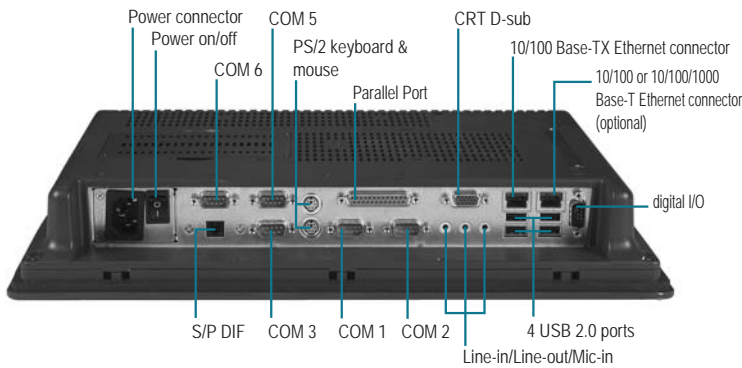
AOP-8150

Industrial Computing Platform Partner

Ultra Low Voltage Intel® Celeron® Processor-based Fanless Operator Panel PC with 15" TFT LCD



IP-65 certified front panel with touchscreen



Features

- 15" TFT XGA (1024 x 768) LCD
- Onboard Ultra Low Voltage Intel® Celeron® Processor 650MHz
- Anti-vibration Disk Drive Bay for Hard Disk Drive
- 5 x COM, 4 x USB 2.0, 2 x Ethernet (10/100 Base-TX or optional Gigabit Ethernet)
- Touchscreen, Mini PCI and 6 in 1 Card Reader
- Windows® XP Embedded Support (optional)
- Up to 8 in or 8 out Digital I/O
- Slim and Fanless Solution
- Supports Dual Independent Display (under Windows® XP)

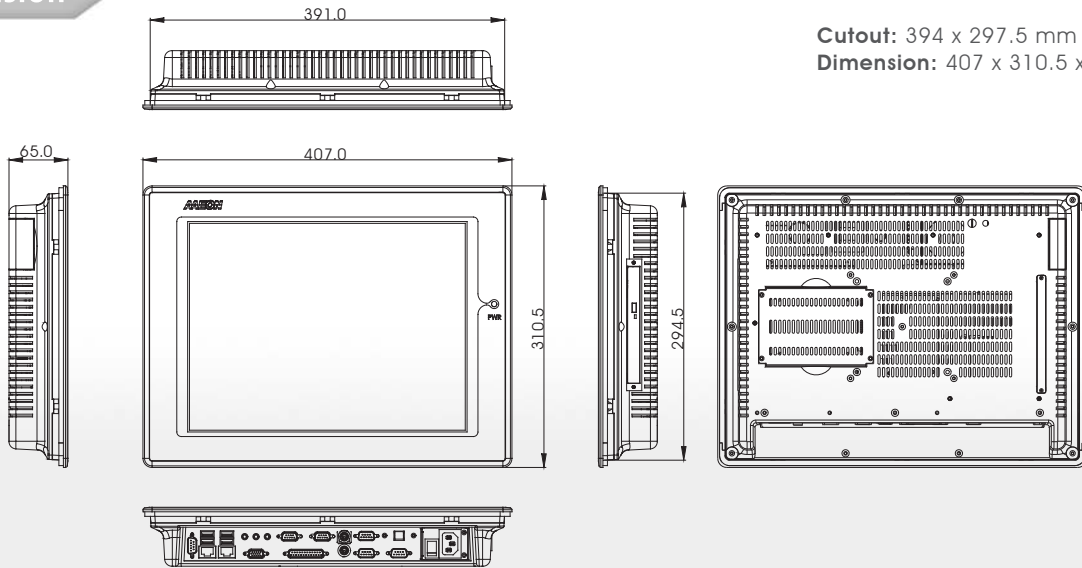


Specifications

System	
CPU	Onboard Ultra Low Voltage Intel® Celeron® processor 650MHz
Memory	Onboard 256MB, supports up to 1GB DDR SDRAM
LCD/CRT Controller	VIA CLE266, share up to 32MB
OS Support	Windows® 2000, Windows® XP, Windows® XP Embedded (optional)
Expansion Slot	1 x Mini PCI Slot, 1 x PCI (optional)
Drive Bay	Anti-vibration 2.5" Hard Disk Drive Slim CD-ROM/Combo 6 in 1 card reader (supports CompactFlash™ I/II, Secure Digital, Multi Media Card, Memory Stick (PRO) and Smart Media)
Display	
Resolutions	1024 x 768
Type	15" TFT LCD
Max. Colors	262K
Dot Size	0.297 x 0.297
Luminance	250
Viewing Angle	150° (H) / 145° (V)
Back Light MTBF	30,000hrs
Touchscreen (optional)	
Type	8-wire, Analog Resistive
Resolution	2048 x 2048
Light Transmission	75%
Lifetime	1 million activations
OS Support	Windows® 2000, Windows® XP, Windows® XP Embedded (optional)
I/O	
I/O	5 serial ports: 4 x RS-232, 1 x RS-232/422/485 (COM 4 is reserved for touchscreen) 1 parallel port (supports ECP/EPP) 1 PS/2 mouse port 1 PS/2 keyboard port 1 VGA port

Dimension

Unit: mm



Cutout: 394 x 297.5 mm
Dimension: 407 x 310.5 x 65 mm

I/O	
Audio	MIC-in, Line-in, Line-out, S/P DIF-out
USB	4 USB 2.0 ports
Digital I/O	Supports up to 8 in or 8 out
Ethernet	
Chipset	Realtek 8100BL 10/100Base-TX RJ-45 connector x 1 Realtek 8100C 10/100Base-TX RJ-45 connector x 1 or Realtek 8110S 10/100/1000Base-TX RJ-45 connector x 1 (optional)
Environmental	
AC input 75W	Input: 85V AC ~ 264V AC @ 47~63Hz
Operating Temperature	0°C to 40°C (32°F~104°F)
Storage Temperature	-20°C to 60°C (-4°F~140°F)
Storage Humidity	10 to 90% @ 35°C, non-condensing
Vibration	Random operation 1G, 5~500Hz
Shock	15G peak acceleration (11 msec. Duration)
EMC	CE/FCC Class A
Safety	UL60950
Mechanical	
Dimension	407 x 310.5 x 65 mm
Carton Dimension	525 x 465 x 230 mm
Construction	Plastic chassis IP-65 certified front panel
Mounting	Panelmount, VESA 100mm holes
Front Panel Color	PMS 2965C (Dark Blue)
Net Weight	5Kg
Gross Weight	6Kg

Ordering Information

- **AOP-8150HT-A1**
Operator Panel, ULV Celeron® 650MHz processor, 256MB RAM, 15" TFT LCD, Fanless, Card Reader and Touchscreen
- **AOP-8150HT-P1**
AOP-8150HT-A1 with Windows® XP Embedded (English) on 512MB DOM

Optional Accessories

- **9741666644**
Wireless LAN Kit, IEEE802.11b/g, with Antenna
- **STAND-8150B0**
Desktop Stand with VESA 100mm Standards
- **ARM-WK075-0**
Wallmount Kit with VESA 75/100mm Standards
- **ARM-LA0115**
Swivel Arm with VESA 75/100mm Standards
- **EXP-8150P1-01**
One PCI Expansion Kit
- Slim CD-ROM/Combo/DVD-ROM
- 2.5" Hard Disk Drive

1
Medical Station
Solutions -
ONYX Series

2
Fanless Operator
Panel Solutions -
OMNI Series

3
Robust Panel
PC Solutions

4
Industrial
Workstation
Solutions

5
Industrial
Monitor
Solutions

6
Embedded
Controller -
BOXER Series

7
Accessory
Sunreadable
LCD Monitors

8
Common
Accessories