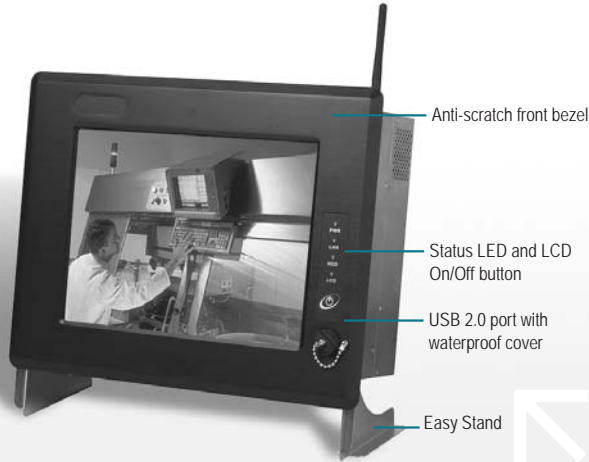


APC-8122

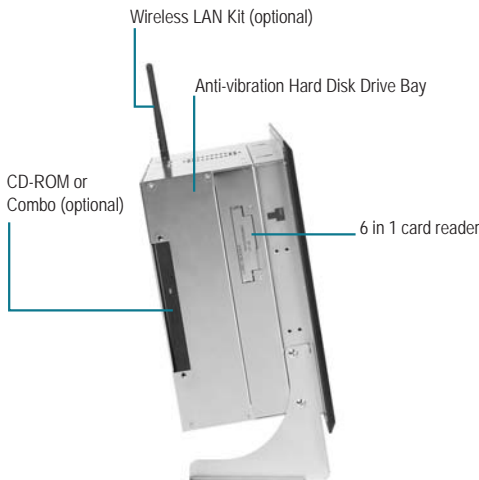
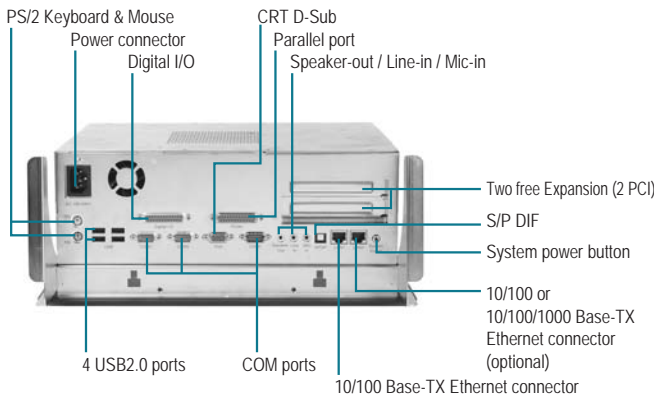
Industrial Computing Platform Partner

Intel® Pentium® 4 and Celeron® Processors-based Industrial Robust Panel PC with 12.1" TFT LCD and 2 Expansion Slots



Features

- 12.1" TFT SVGA (800 x 600) LCD
- Socket 478 based Intel® Pentium® 4 and Celeron® Processors, Hyper-Threading Technology Supported
- Anti-vibration Disk Drive Bay for Hard Disk Drive
- Anti-scratch & Waterproof Aluminum Front Panel with USB Port has IP-65 Certification
- Up to 16 in or 16 out Digital I/O
- Two PCI Expansion Slots
- Resistive Touchscreen (optional)

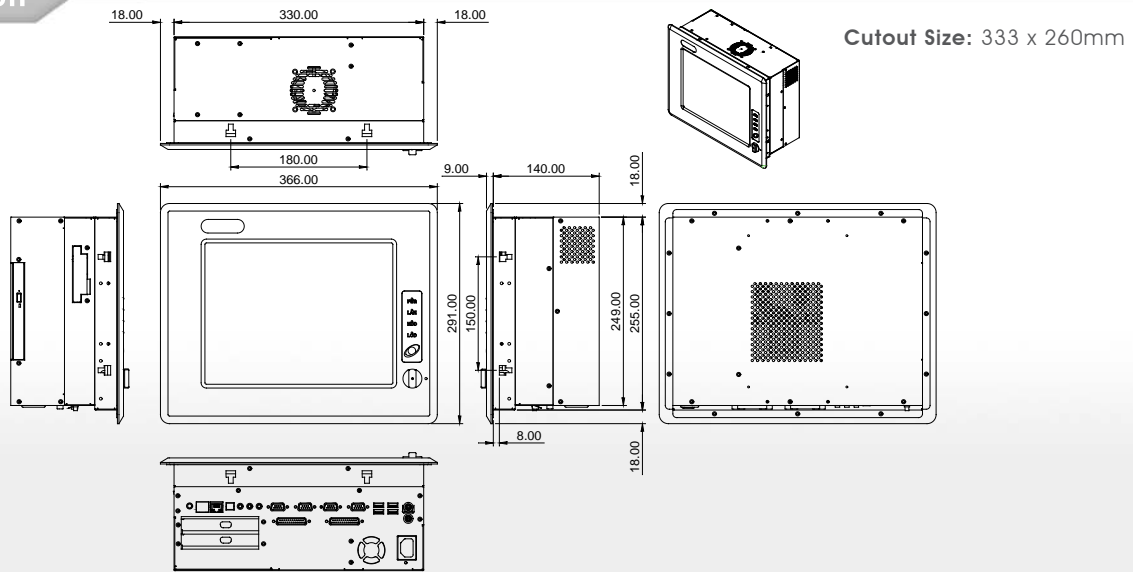


Specifications

System	
CPU	Socket 478-based Intel® Pentium® 4 and Celeron® processors, Hyper-Threading Technology supported (FSB 400/533MHz)
Memory	Support up to 1GB DDR 184-pin SDRAM (200/266/333 MHz)
LCD/CRT Controller	Intel® i845GV, AGP 4X
Ethernet	Intel® 82562, 10/100Base-TX RJ-45 port x 1
I/O Port	3 serial ports: 2 x RS-232, 1 x RS-232/422/485 (COM 4 is reserved for touchscreen) 1 parallel port (supports ECP/EPP) 1 PS/2 mouse port 1 PS/2 keyboard port 1 VGA port 4 USB 2.0 ports (on rear chassis) 1 USB 2.0 port (on front panel) (protectable by BIOS) MIC-in, Line-in, Speaker-out, S/P DIF-out 1 digital I/O (Supports up to 16 in or 16 out)
Storage Disk Drive	Anti-vibration 2.5" Hard Disk Drive, Slim CD-ROM/Combo, 6 in 1 card reader (support CompactFlash™ I/II, Secure Digital, Multi Media Card, Memory Stick (PRO) and Smart Media
Expansion Slot	2 x PCI, 1 x Mini PCI
OS Support	Windows® 98SE, Windows® 2000, Windows® XP, Windows® XP Embedded (optional)
Mechanical	
Construction	Heavy-duty steel chassis IP-65 certified anti-scratch aluminum front panel
Front Panel Color	PMS 2965C (Dark Blue)
Mounting	Panelmount, VESA 75/100mm holes (optional)
Dimension	366 x 291 x 149mm
Carton Dimension	479 x 431 x 378mm
Gross Weight	14Kg

Dimension

Unit: mm



Cutout Size: 333 x 260mm

Enviromental	
Operating Temperature	32°F ~ 122°F (0°C ~ 50°C)
Storage Temperature	-4°F ~ 140°F (-20°C ~ 60°C)
Storage Humidity	10 to 90% @ 35°C, non-condensing
Vibration	Random operation 1.5G, 5 ~ 500Hz
Shock	15G peak acceleration (11 msec. duration)
EMC	CE/FCC Class B
Power Supply	
AC input 250W (with Active PFC)	Input: 115V AC ~ 230V AC @ 47~63Hz Output (Max.): +5V @ 20A, +12V @ 16A, -12V @ 0.5A
LCD	
Display Type	12.1" TFT LCD
Max. Resolution	800 x 600
Max. Colors	256K
Dot Size	0.3075 x 0.3075
Luminance	350 cd/m ² (TYP.)
Viewing Angle	140° (H) / 120° (V)
Back Light MTBF	50,000 hrs
Touchscreen (optional)	
Type	8-wire, Analog resistive
Resolution	2048 x 2048
Light Transmission	75%
Lifetime	1 million activations
OS Support	Windows® 2000, Windows® XP, Windows® XP Embedded (optional)

Ordering Information

- **APC-8122HT-A1**
Pentium® 4/Celeron® Panel PC with 12.1" TFT, AC Power Supply, Card Reader, Two Free Expansion Slot
- **APC-8122HTT-A1**
APC-8122HT-A1 with Resistive Touchscreen
- **APC-8122HTT-P1**
APC-8122HTT-A1 with Windows® XP Embedded (English) on 512MB DOM

Optional Accessories

- **ARM-LA0115**
Swivel arm with VESA 75/100mm Standards, Weight Capacity: 8-15 kgs
- **ARM-WK075-0**
Wallmount Kit with VESA 75/100mm Standards
- **M018122070**
VESA 75/100mm Mounting Bracket
- **9741666644**
Wireless LAN Kit, IEEE802.11b/g, with Antenna
- **PER-V30C-A10-01**
Video Capture Card Kit
- **1759200158**
CPU Cooler for Pentium® 4 CPU
- Slim CD-ROM/Combo/DVD-ROM
- 2.5" Hard Disk Drive
- **9761815202**
10/100 Base-TX Ethernet Kit, Realtek 8100C
- **9761815203**
10/100/1000 Base-TX Ethernet Kit, Realtek 8110S

1
Medical Station
Solutions -
ONYX Series

2
Fanless Operator
Panel Solutions -
OMNI Series

3
Robust Panel
PC Solutions

4
Industrial
Workstation
Solutions

5
Industrial
Monitor
Solutions

6
Embedded
Control PC-
BOXER Series

7
Accessory
Sunreadable
LCD Monitors

8
Common
Accessories