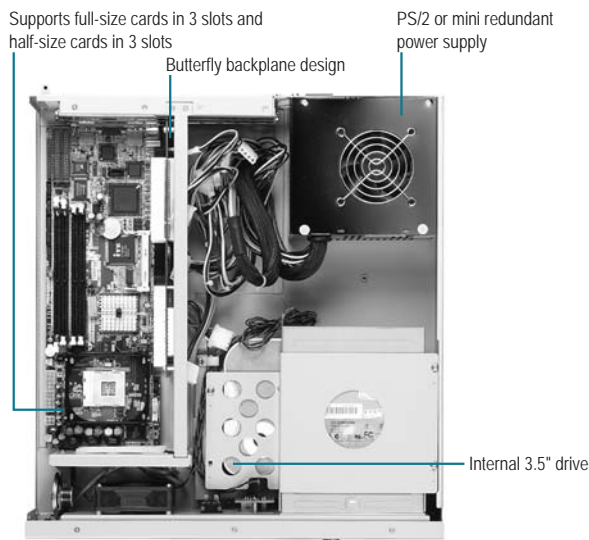
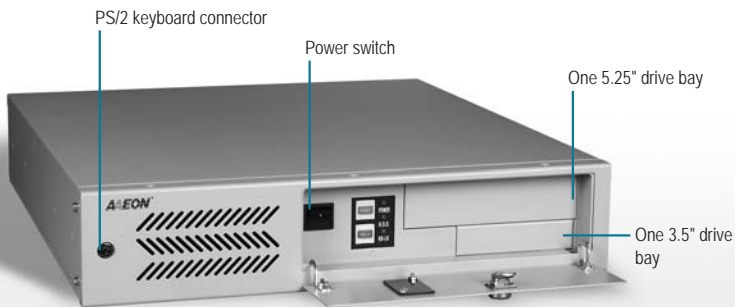


ARC-620

2U Rackmount Chassis

Industrial Computing Platform Partner



Features

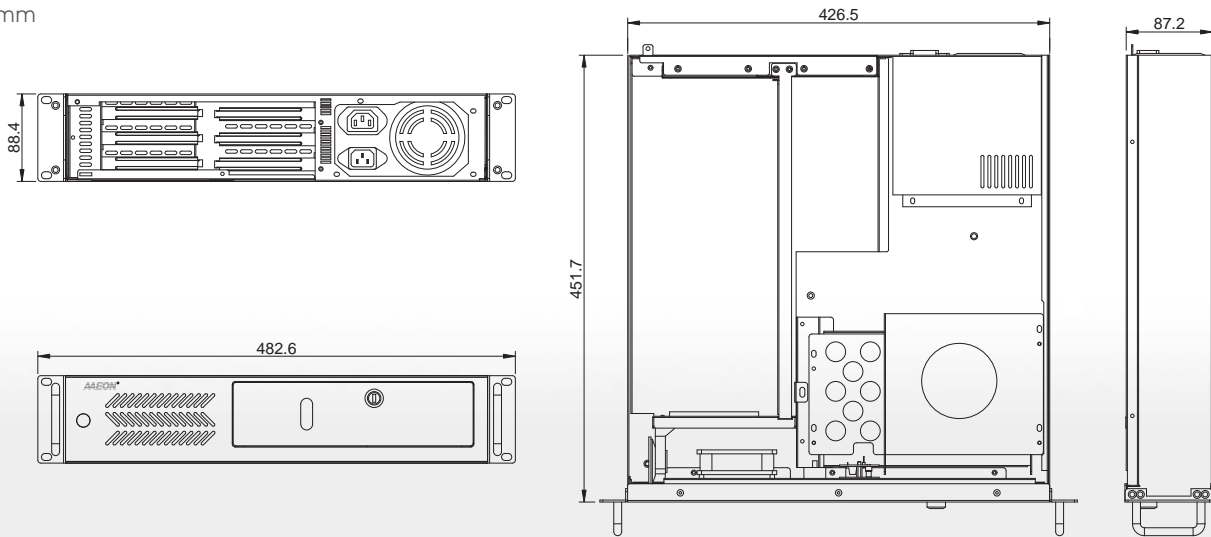
- 2U Height 19" Rackmount Chassis
- Supports 6-slot ISA/PICMG Bus Passive Backplanes
- Supports Standard PS/2 Power Supplies Up to 400W
- One 5.25" and One 3.5" Front Accessible Disk Drive Bays
- One Internal 3.5" Disk Drive Bay for Hard Disks
- PS/2 Keyboard Connector on Front Panel
- Lockable Door for Protecting the Running System

Specifications

Main Specifications	
Construction	Heavy-duty steel chassis
Storage	External: One 3.5" floppy drive One 5.25" CD-ROM or removable hard disk drive Internal: One 3.5" hard disk
System Fan	One 8cm ball bearing fan with removable filter
Front I/O panel	Power ON/OFF Switch x 1 Keyboard Lock Switch x 1 Reset Button x 1 Power ON LED x 1 Hard Disk Drive Active LED x 1 PS/2 keyboard connector x 1
Rear I/O panel	No
Color	White (Pantone 413C)
Dimensions	19" (W) x 18.4" (D) x 3.5" (H) (483mm x 467mm x 88mm)
Carton Size	18" (W) x 20.3" (D) x 11.1" (H) (636mm x 558mm x 230mm)
Net Weight	22lbs (10kg)
Gross Weight	26.43lbs (12kg)
Environmental	
Operating Temperature	32°F ~ 113°F (0°C ~ 50°C)
Storage Temperature	-4°F ~ 158°F (-20°C ~ 80°C)
Operating Humidity	10 ~ 90%
Storage Humidity	10 ~ 90% @ 40°C, non-condensing
Vibration	0.5G / 5 ~ 500Hz / operation (2.5" Hard Disk Drive) 1.5G / 5 ~ 500Hz / no operation
Shock	15G peak acceleration (11 m sec. duration), operation 30G peak acceleration (11 m sec. duration), non operation
EMC	CE/FCC Class A

Dimension

Unit: mm



Power Supply Options

Model Name	Description	Size
PW-P250-S-01	SPS 115/230V 250W AT PS2 Non-Power Factor Correcting	PS/2
PW-X250-S-00	SPS 115/230V 250W ATX PS2 Non-Power Factor Correcting	PS/2
PW-S250-S-00	SPS 115/230V 250W ATX PS2 Passive Power Factor Correcting	PS/2
PW-S300-S-00	SPS 115/230V 300W ATX PS2 Passive Power Factor Correcting	PS/2
PW-Z300-A-00	SPS 115/230V 300W ATX PS2 Active Power Factor Correcting	PS/2

Backplane Options

Model Name	Backplane Type	Slots						Power Connector	Configuration Standard
		Total	Master Slot	PCI	ISA	AGP	System		
BP-206VG-P4-A11-01	PICMG	6	1	4	0	0	Single	ATX, AT	PICMG

Ordering Information

Model Name	Description
ARC-620-W	2U Industrial Bare Chassis. for 6-slot Backplane &. PS2 Power. PS_SW(ATX), Color: White
ARC-620V4-X25-W	ARC-620-W 2U Chassis.W/BP-206VG-P4, W/250W ATX, Color: White
ARS-620V4-780-S25-W	ARC-620-W 2U Chassis.W/SBC-780, W/ BP-206VG-P4, W/250W passive Power Factor Correcting ATX, Color: White

- 1 Full-size SBC
- 2 Half-size SBC
- 3 Embedded Motherboards
- 4 Mini PCI Modules
- 5 Industrial backplanes
- 6 Industrial Chassis
- 7 Sun-readable LCD Monitors
- 8 Accessories