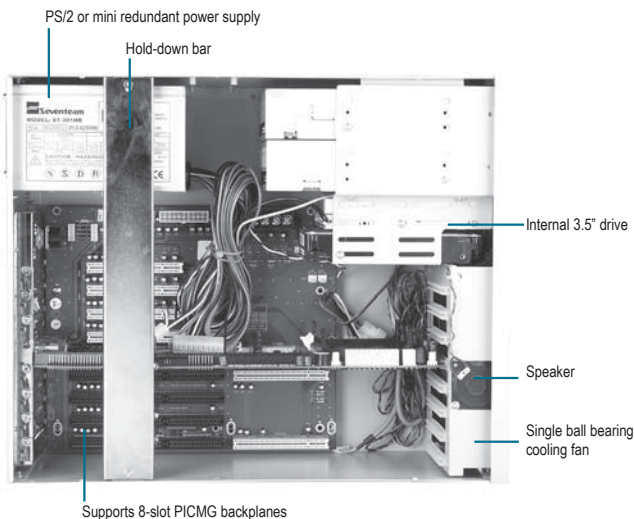
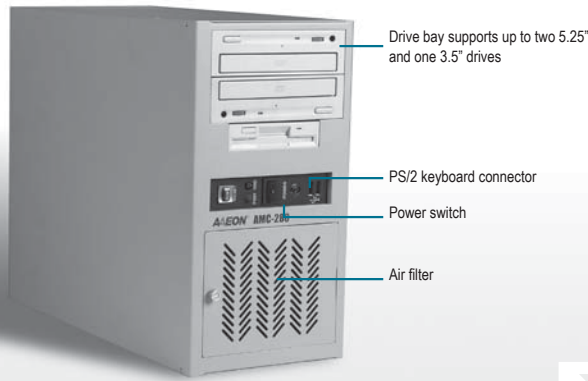


AMC-280B

8-slot Wallmount Chassis

Full-size/ Half-size CPU Cards Supports



Features

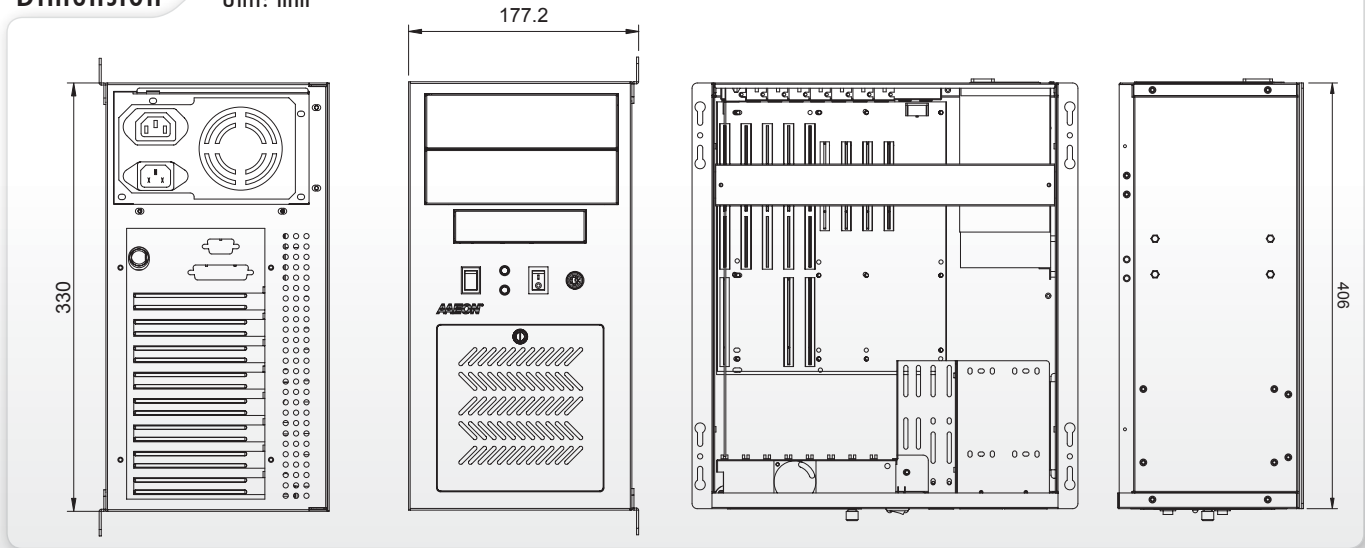
- 8-slot Wallmount Chassis
- Supports 8-slot ISA/PICMG Bus Passive Backplanes
- Supports Standard PS/2 AT/ATX And Mini-redundant Power Supplies
- One 3.5" Front Panel Disk Drive Bay For Floppy Disk Drive
- Two 5.25" Front Panels Disk Drive Bays For Removable Hard Disks Or CD-ROMs
- One Internal 3.5" Disk Drive Bay For Hard Disk
- PS/2 Keyboard Connector On Front Panel
- USB Connector On Front Panel

Specifications

System	
Construction	Heavy-duty steel
Storage	External: One 3.5" floppy disk drive Two 5.25" CD-ROMs or removable hard disk drive Internal: One 3.5" hard disk
System Fan	One 12cm ball Bearing Fans with removable filter
Front I/O panel	Power ON/OFF Switch x 1 Reset Button x 1 Power ON LED x 1 Hard Disk Drive Active LED x 1 PS/2 keyboard connector x 1 USB x 2
Rear I/O panel	AT keyboard connector x 1 Reserved cutout for DB-25 connector x 1
Color	White (Pantone 413C)
Dimensions	13" (W) x 16.1" (D) x 6.8" (H) (330mm x 408mm x 172mm)
Carton Size	18" (W) x 20.3" (D) x 11.1" (H) (457mm x 515mm x 281mm)
Net Weight	19.8 lb (9kg)
Gross Weight	22 lb (10kg)
Environmental	
Operating Temperature	32°F ~ 122°F (0°C ~ 50°C)
Storage Temperature	-4°F ~ 176°F (-20°C ~ 80°C)
Operating Humidity	10 ~ 90%
Storage Humidity	10 ~ 90% @ 40°C, non-condensing
Vibration	0.5G / 5 ~ 500Hz / operation (2.5" Hard Disk Drive) 1.5G / 5 ~ 500Hz / no operation
Shock	15G peak acceleration (11 m sec. duration), operation 30G peak acceleration (11 m sec. duration), non operation
EMC	CE/FCC Class A

Dimension

Unit: mm



Power Supply Options

P/N	TYPE	PFC Support	Input Voltage	Watt	Size
PW-P300-S-00	AT	Non-PFC	Switch 115/230V	300W	PS2
PW-X250-S-00	ATX	Non-PFC	Switch 115/230V	250W	PS2
PW-X300-S-00	ATX	Non-PFC	Switch 115/230V	300W	PS2
PW-S250-S-00	ATX	Passive PFC	Switch 115/230V	250W	PS2
PW-S250-F-00	ATX	Passive PFC	Fixed 230V	250W	PS2
PW-S300-F-00	ATX	Passive PFC	Fixed 230V	300W	PS2
PW-S350-F-00	ATX	Passive PFC	Fixed 230V	350W	PS2

P/N	TYPE	PFC Support	Input Voltage	Watt	Size
PW-Z300-A-00	ATX	Active PFC	Auto 115-230V	300W	PS2
PW-Z300-A-01	ATX	Active PFC	Auto 100-240V	300W	PS2
PW-Z350-A-00	ATX	Active PFC	Auto 115-230V	350W	PS2
PW-Z400-A-00	ATX	Active PFC	Auto 115-230V	400W	PS2
PW-R400-A-00	ATX	Active PFC	Auto 100-240V	400W Redundant	PS2
PW-R460-A-00	ATX	Active PFC	Auto 100-240V	460W Redundant	PS2

Backplane Options

P/N	Description	Master Interface	Slots	Power Connector, ATX Extend Function
BP-208SG-P4-A11	Wallmount, PICMG 8-slot Backplane, 4 PCI/ 2 ISA, Single Segment, AT/ATX , Rev. A1.1	PICMG	4/3/2 (PCI/ ISA/ PICMG)	AT, ATX, 3-pin ATX extend
BP-208SG-P7-A11	Wallmount, PICMG, 8-slot Backplane, 7 PCI/ 0 ISA, Single Segment, AT/ATX, Rev. A1.1	PICMG	7/0/1 (PCI/ ISA/ PICMG)	AT, ATX, 3-pin ATX extend
BP-208SI-A00	Wallmount, ISA, 8-slot Backplane, 8 ISA, Single Segment, AT, Rev. A0.0	ISA	0/8/0 (PCI/ ISA/ PICMG)	AT
BP-208SP-P7-A10	Wallmount, PCI, 8-slot Backplane, 7 PCI, Single Segment, ATX, Rev.A1.0	PCI	7/0/1 (PCI/ISA/ PICMG_PCI)	ATX, 3-pin ATX extend
BP-208SA-P6-A11	Wallmount, APCI, 8-slot Backplane, 6 PCI, 1 AGP, Single Segment, ATX, Rev. A1.1	APCI	6/0/1/2 (PCI/ ISA/ AGP/ APCI)	ATX, 3-pin ATX extend

CPU Card Options

Model/Name	CPU Level	Master Interface
SBC-780	Socket 370 PIII/ Celeron®(.18μ/13μ) up to 1.4GHz (66/100/133)	PICMG
FSB-865G	Socket 478 P4/ Celeron®(.18μ/13μ) up to 3.2GHz (400/533/800)	PICMG
FSB-860B	Socket 478 P4/ Celeron®(.18μ /13μ) up to 3.06GHz (400/533)	PICMG
FSB-866G	Socket LGA 775 P4/ Celeron®-D up to 3.8GHz (533/800)	PICMG

Ordering Information

Model/Name	Description	Remark
AMC-280-W	Wallmount, 8-slot Chassis Bare for PS2 Power, PS_SW(ATX), White	

01

Full-size SBC

02

Half-size SBC

03

Industrial Motherboard

04

Industrial Chassis

05

Firewall Platform

06

Industrial Backplanes

07

Daughter Board

08

Embedded Motherboards

09

Mini PCI Modules

10

Sun-readable LCD Monitors

11

Accessories