

EX9000 Series

RS232 to RS422/485 Converter

EX9520/A/R/AR

Key Specifications/Special Features:

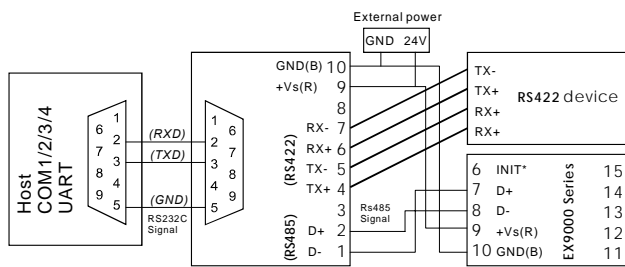
- Input: RS-232 protocol
- Speed: "AutoPro" designed auto switch baud rate, 300~115200Bps
- 256 modules max. in one RS-485 network without repeater
- 3000V isolation
- Multiple baud rate; multiple data format
- Communication distance:
 - 2.1km/9600Bps
 - 2.7km/4800Bps
 - 3.6km/2400Bps
 - Power requirements: +10V-30VDC
 - Power consumption 2.2W(max.)
 - Dimensions: 7 x 10 x 2cm
 - Series products: RS422/RS485/RS232; digital I/O AD/DA module
 - Operation Temp: -25°C to +75°C
 - Storage Temp: -40°C to +80°C



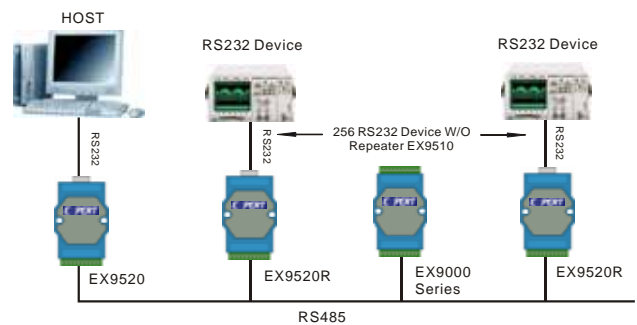
Serial products:

	422	485	Isolate	Repeater
EX9520		✓	232	
EX9520R		✓	485	
EX9520A	✓	✓	232	
EX9520AR	✓	✓	422/485	
EX9510		✓	485	✓
EX9510A	✓	✓	422/485	✓

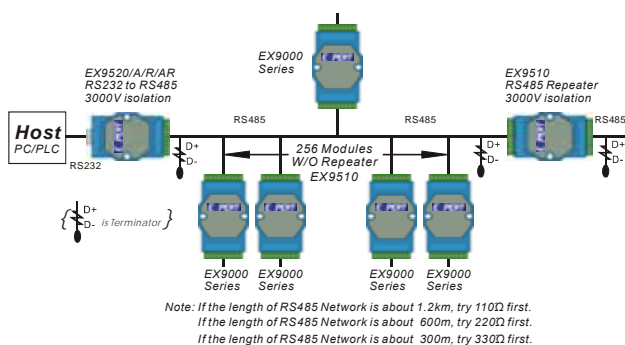
Ref. Of Connection I:



RS232 Devices Network:



Ref. Of Connection II:



PLC Network:

