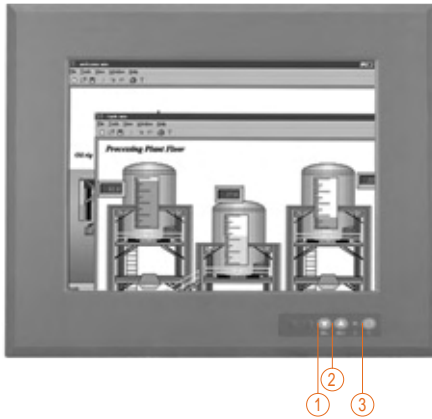
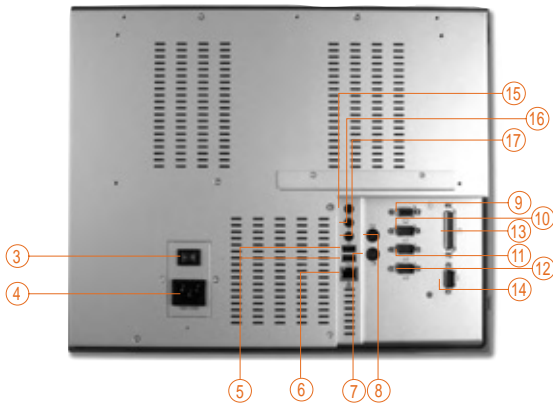


PANEL I 150-675

15" TFT Industrial Panel Computer w/ Intel® Pentium® III



- 1. SEL -
- 2. SEL +
- 3. Backlight on/off

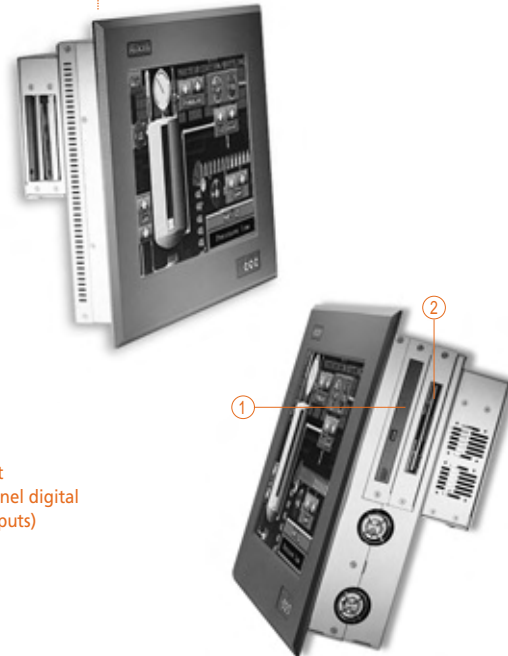


- 1. 24X CD-ROM (Optional)
- 2. Slim FDD
- 3. Power switch
- 4. AC inlet
- 5. USB x 2
- 6. Ethernet (RJ-45)
- 7. Keyboard
- 8. Mouse
- 9. VGA port
- 10. COM1
- 11. COM2
- 12. COM4
- 13. Parallel port
- 14. DIO (4-channel digital inputs / outputs)
- 15. Line in
- 16. MIC in
- 17. Line out

Features



- ▶ Cost-effective 15" TFT LCD Panel PC
- ▶ Aluminum chassis and IP65/NEMA4 front bezel
- ▶ Slim and compact design
- ▶ Easy-to-extend: 2 PCI/ISA expansion slots
- ▶ Different power supply type supported-AT/ATX/DC power
- ▶ Windows® XP Embedded, Windows® CE.NET, Linux supported



Specifications

Front Bezel	Control button for brightness adjustment and light on / off ; IP 65, NEMA 4/12 rugged protection	
LCD Panel	15" XGA TFT	
	Brightness	250 nit
	Resolution	1024 x 768 pixels
	Viewing Angle	Vertical: 100°; Horizontal: 120°
Main System	Main Board	SBC83675
	CPU	ZIF Socket 370 for Intel® Celeron®/ Pentium® III processor VIA C3 533~1.4GHz processor
	System Memory	One SDRAM DIMM, Max. 512MB
	Chipset	VIA VT8606 (Twist-T) + VT82C686B
	BIOS	Phoenix-award 4Mbit with RPL / PXE LAN boot ROM, Smart View and customer CMOS backup
	SSD	DiskOnChip® and CompactFlash™
	Watchdog Timer	0.5~1600 sec with 64 levels; system reset or NMI

Onboard Graphics	VIA Twister chip with integrated S3 Pro Savage4 2D / 3D / Video accelerator
Serial Ports	RS-232 x 2 RS-232 / 422 / 485 x 1 +5V/+12V power output capability by pin 1 and pin 8, selectable via jumper setting
Parallel	SPP / EPP / ECP supported Configurable to LPT1, LPT2, LPT3 or disable
PS/2 Interfaces	PS/2 mouse x 1 PS/2 keyboard x 1
DIO	4-channel bits of TTL/DTL compatible Digital input/output
Hard Disk Drive	1 x 3.5" or 2 x 2.5" type

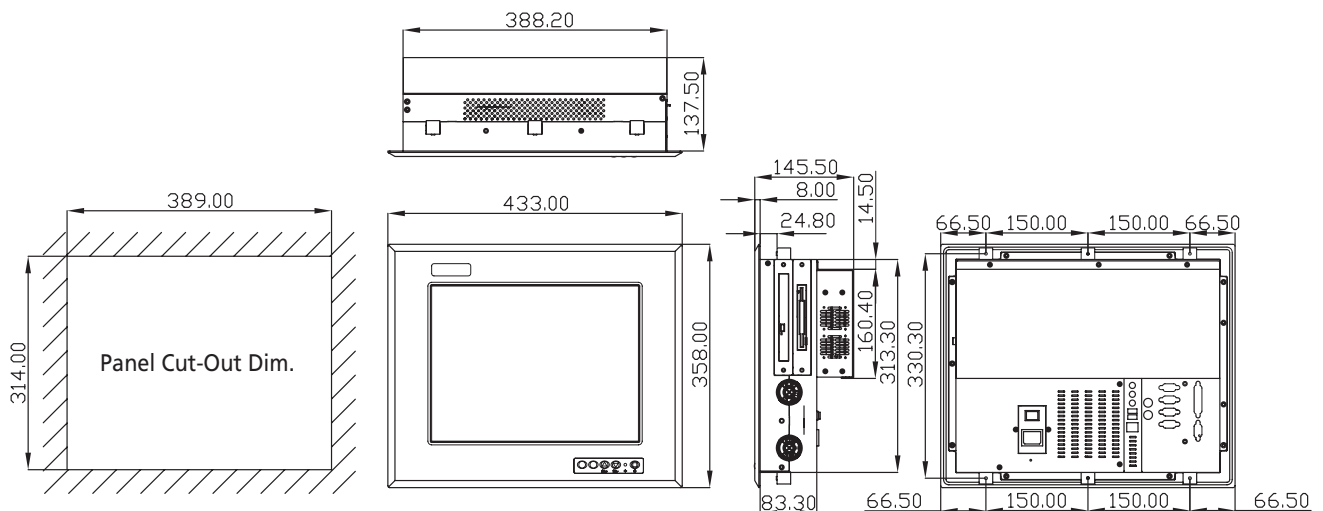
Specifications

	Ethernet	RTL8100C, 10/100Base-T with WOL
	USB	2 x USB ports, USB 1.0 compliant
	Audio	AC'97 Audio Codec with Amplify
Peripheral	Slim type floppy disk drive	
Built-in	Slim type CD-ROM drive (optional)	
I/O Connectors	D-Sub 9 pin x 1 (male) for RS-232/RS-422/RS-485 D-Sub 9 pin x 2 (male) for RS-232 D-Sub 25 pin x 1 (female) for parallel D-Sub 15 pin x 1 (male) for DIO P/S 2 x 2 for keyboard and mouse RJ-45 x 1 for Ethernet D-sub 15 pin x 1 (female) for S-VGA output Line-out / Line-in / Mic-in USB connector x 2	
Expansion Slot	ISA x 2 + PCI x 1 or PCI x 2 + ISA x 1 (optional)	
System Fan	4 cm fan x 2	
Touchscreen	Resistive type (optional)	
Power Supply	AC 100-230V, 100W (DC18~56V, 100W for option)	
Dimensions	w/o expansion box : 433mm(17.05")(W) x 91.3mm(3.59")(D) x 358mm(14.09")(H) w/ expansion box : 433mm(17.05")(W) x 145.5mm(5.73")(D) x 358mm(14.09")(H)	
Weight	w/o expansion box: 7.7 kg(16.98 lb) w/ expansion box: 8.8 kg(19.40 lb)	
Environmental	Operation temperature: 0~45°C (32~113°F) Relative humidity : 20% - 90%, non-condensing Operation vibration: 1.0G, 5~500Hz, random	

Note: The CD-ROM is optional in Panel 1150-675 module.



Dimensions



Ordering Information

PANEL1150-675-R	15" TFT panel PC w/ resistive T/S
PANEL1150-675-RC	15" TFT panel PC w/ resistive T/S& slim CD-ROM
PANEL1150-675-G	15" TFT panel PC w/ tempered glass
PANEL1150-675-GC	15" TFT panel PC w/ tempered glass & slim CD-ROM

Optional Accessories

E201150325/330	PANEL1150 expansion kit (2PCI+1ISA)
E201150332	PANEL1150 VESA + expansion kit
E201150329	PANEL1150 Rack Mount kit
E202003331	VM-101 (VESA ARM Clamp Type)
E202003332	VM-105 (VESA ARM Wall-mount)

Power Supply Options

DC	18~56V	100W
ATX AC/DC	90~260V	120W

Optional EOS Installation

Windows® XP Embedded
Windows® CE.NET
Linux Kernel 2.4

Optional OS Installations

Windows® 95/98
Windows® NT/2000/XP

Medical Panel Computer

PANEL2000 Slim Client Panel Computers

GOT Fanless Touch Panel Computers

PANEL 1000/5000 Industrial Panel Computers

Industrial Workstations

PANEL6000 Industrial Flat Panel Monitors