

The Weidmüller Catalogue System Industry 2002

Sectional catalogue 1:

Terminals 2002

W-Series Ex Terminals - ATEX
Z-Series Terminals in power supply applications
IDC-Series KLBÜ shield connection
SAK-Series Accessories

Sectional catalogue 5:

Enclosures 2002

Mild steel enclosures Polystyrole enclosures
Die cast aluminium enclosures Assembly service
Polyester GRP enclosures Cable glands
Polycarbonate enclosures Accessories

Sectional catalogue 2:

PCB Components 2002

PCB Terminals
PCB Connectors

Sectional catalogue 6:

Tools 2002

Certification of tools Testers
Cutting tools Automatic machines
Stripping tools Ferrules
Crimping tools Crimp sets
Screw driving tools Special tools

Sectional catalogue 3:

Heavy Duty Connectors 2002

HA, HE, HD, HDD, HVE, HSB, DSTVK plus DSTV-HD-Series
ConCept
ModuFlex
HDC-Kits
Single contacts
Accessories
Cable glands

Sectional catalogue 7:

Installation Products 2002

Terminal markers
Conductor and cable markers
Equipment and installation markers
Labels
Marking systems
Cable ties
Installation products

Sectional catalogue 4:

Electronics 2002

Terminal blocks with electronic components
Interface units
PLC system interface
Digital signal processing
Analogue signal processing
Power supply units
Overvoltage protection
Modules for different functions
Component holders and housings
Markers

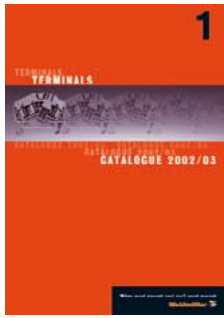
Sectional catalogue 8:

Fieldbus-Components 2002

SAI - Sensor-Actuator-Integrator
A well designed system for direct installation
SAI for passive system-cabling
SAI with plug-in connection hood
Cable available as piece part
SAI - Integrators in applications
SAI - Actuator-Integrator PASSIVE
SAI - Actuator-Integrator ACTIVE
PROFIBUS-PA T-Connector
Typical system layout
Applications

For further information on our worldwide activities please refer to the last pages of this catalogue.

The Weidmüller Catalogue System Industry 2002



Sectional catalogue 1:

Terminals 2002

Cat. No. german: 5629090000
Cat. No. english: 5628980000



Sectional catalogue 5:

Enclosures 2002

Cat. No. german: 5629130000
Cat. No. english: 5629020000



Sectional catalogue 2:

PCB Components 2002

Cat. No. german: 5629100000
Cat. No. english: 5628990000



Sectional catalogue 6:

Tools 2002

Cat. No. german: 5629140000
Cat. No. english: 5629030000



Sectional catalogue 3:

Heavy Duty Connectors 2002

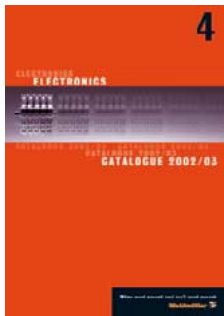
Cat. No. german: 5629110000
Cat. No. english: 5629000000



Sectional catalogue 7:

Installation Products 2002

Cat. No. german: 5629150000
Cat. No. english: 5629040000



Sectional catalogue 4:

Electronics 2002

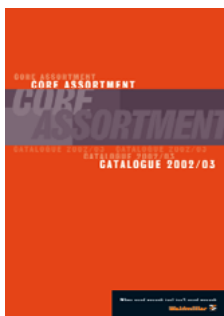
Cat. No. german: 5629120000
Cat. No. english: 5629010000



Sectional catalogue 8:

Fieldbus-Components 2002

Cat. No. german: 5629160000
Cat. No. english: 5629050000



Catalogue

Core Assortment 2002

Cat. No. german: 5629170000
Cat. No. english: 5629060000

Complete set of 8 sectional catalogues. German: Cat.No. 5629200000 / English: Cat.No. 5629190000. Additional: Catalogue slip case only: 5619250000

Ordering hint

We now only use 10-digit catalogue numbers.

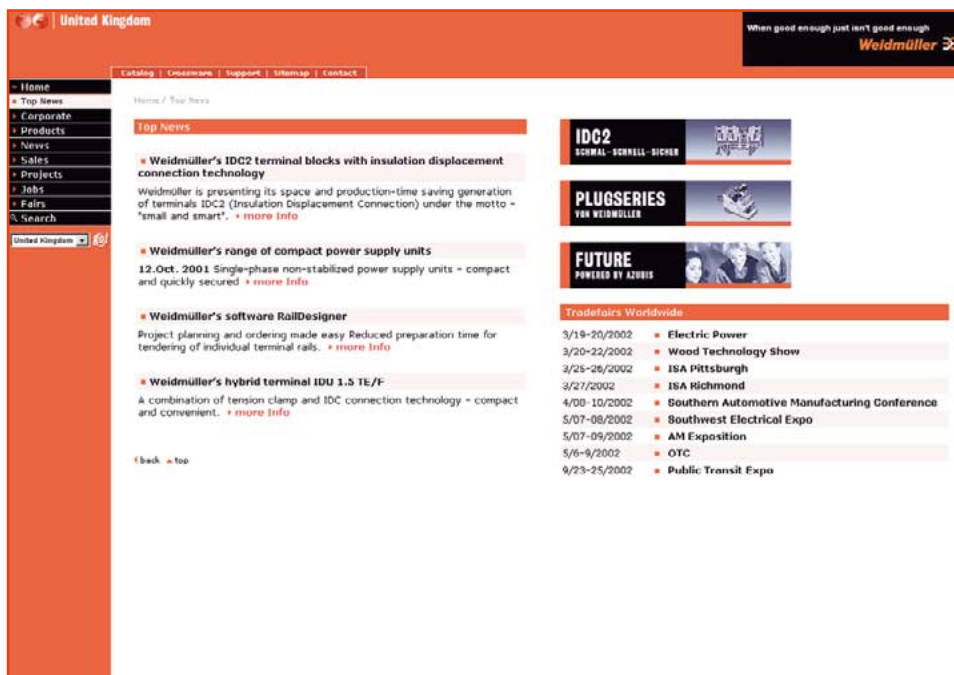
Please note: The four digits may refer to a product variation (for example: 102998 0000 = standard and 102998 1111 = associated variation).

Wherever possible, please utilise 10-digit numbers only.

The official Weidmüller-Website contains information about the latest innovations, trade-show dates, press reports, certifications, software demos and much more.

www.weidmueller.com ...

... the address for up-to-date information



Introduction	I - XXIX
Product overview	VIII - XI
Housing types	XII - XIII
General information	XIV - XIX
Technical data	XXII - XXIX

Series	Pole numbers	Rated voltage	Rated current	Connection technology	Page
Series HA	3 - 48	3-4 p. 400 V 10-48 p. 250 V	10 A max 16 A max	screw screw	2 - 17
Series HE	6 - 48	500 V	16 A max	screw crimp tension clamp	18 - 59
Series HD	7 - 128	250 V	10 A max	crimp	60 - 103
Series HDD	24 - 216	250 V	10 A max	crimp	104 - 135
Series HVE	3 - 10	630 V	16 A max	screw	136 - 155
Series HSB	6 - 12	380 V	35 A max	screw	156 - 169
Series DSTV-K	6 - 48	380 V	16 A max	screw	170 - 183
Series DSTV-HD	16 - 64	250 V	10 A max	screw	170 - 183
ConCept	modular System				184 - 215
ModuFlex C	modular System				216 - 221
HDC KITS					222 - 231
Crimp contacts					232 - 237
Accessories					238 - 247
Cable glands					248 - 257
Index					258 - 273
Worldwide activities					274 - 275

Introduction

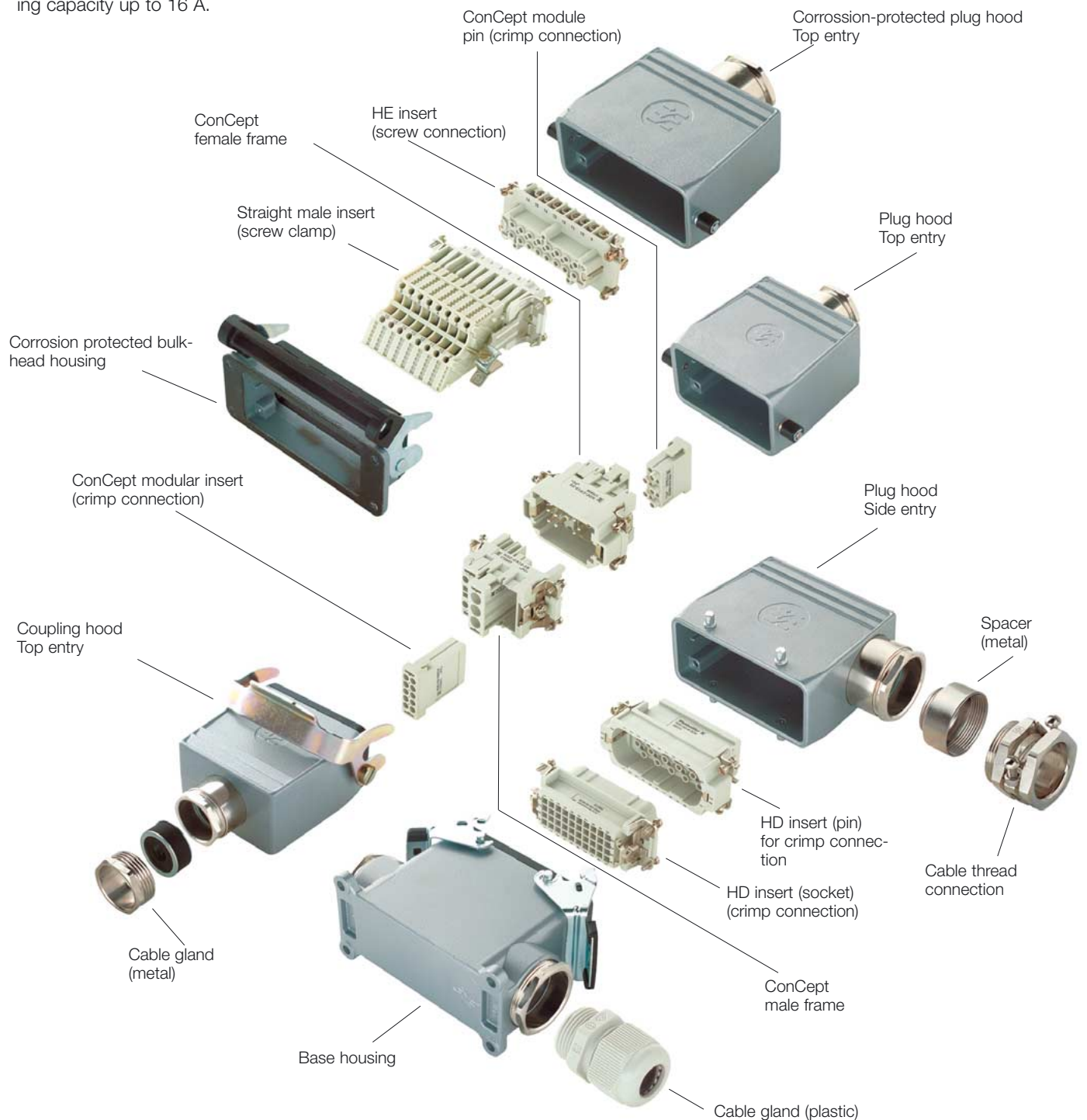
The optimum connector for each application

We offer a large selection of heavy duty connectors, which allow you to solve your special connection tasks efficiently and with technical perfection.

Our delivery program contains:

- Standard connectors with up to 216 poles and a current carrying capacity up to 35 A.
- Straight male insert connectors DSTV with up to 64 poles and a current carrying capacity up to 16 A.

- A modular connector system ConCept, which allows you to assign the pins and sockets.
- Complete kits with the most prevalent heavy duty connectors that contain sets of pins and sockets, plug and socket hoods suitably packaged for the users.



Connectors, definitions

Standard connectors can be delivered with three connection systems:

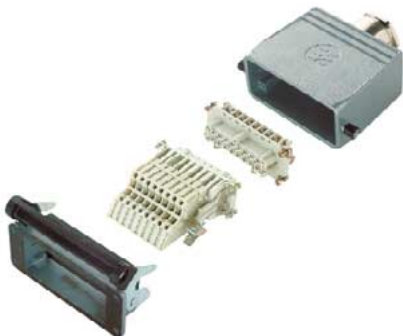
- Screw connection
- Crimp connection
- Tension clamp connection

Connector and socket are completely protected in their housings.



Through-panel connectors from the DSTV series were specially developed for field wiring connections in switchgear cabinets. The mounted DSTV inserts in the bulkhead enclosure are available with screw connections.

- Compact design
- Good access due to tapered terminal ends
- Mounting and service friendly



Modular connectors from the ConCept series offer a high flexibility in confined spaces. With this system it is possible to combine a number of different contact inserts to one connector and fit them in one housing. This means that, for example, signal and power supply cables can be incorporated in the same connector.



Selection aids for the individual systems will be available soon in order to help you **choose the correct connector**. All important criteria necessary for you to make your choice, and the technical data will be summarized and clearly arranged.

Weidmüller offers a large choice of well coordinated accessories in addition to the basic connector components. These include, for example, cable glands, reduction elements, mounting plates, adapter plates, coding pins, bases, marking materials and tools.

Crimp contacts must be ordered separately. A brass alloy forms the basis of the turned and stamped contacts. Contact surfaces are available in gold or silver. Stamped contacts are available with tin/lead coating or gold coating.



The pin header or socket inserts are optionally available for turned or stamped contacts. Select the desired crimp contacts. The appropriate crimping and dismantling tool is listed in the accessories.

Product Overview Heavy Duty Connectors

HDC inserts



Series HA

Page 2 - 17



Series HE

Page 18 - 59



Series HD

Page 60 - 103



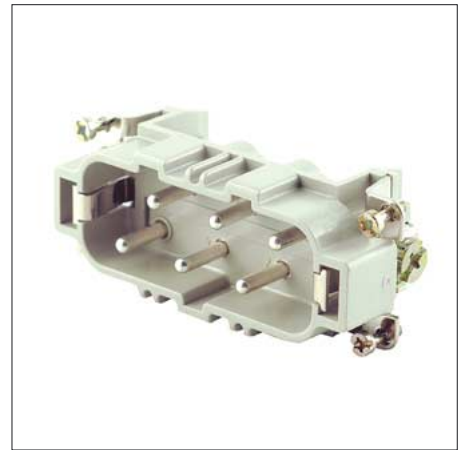
Series HDD

Page 104 - 135



Series HVE

Page 136 - 155



Series HSB

Page 156 - 169

Trough Panel Connectors



Series DSTV-K



Series DSTV-HD

Page 170 - 183

Product Overview Heavy Duty Connectors

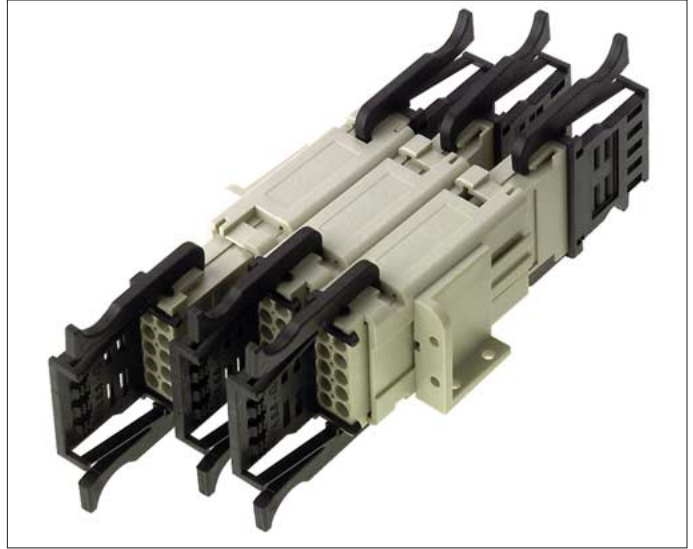
Modular Connectors ConCept



ConCept

Page 184 - 215

Modular Coupling System ModuFlex C



ModuFlex C

Page 216 - 221

HDC-Kits



HDC-Kits

Page 222 - 231

Product Overview Heavy Duty Connectors

Crimp Contacts for ConCept



Turned contacts / stamped contacts / bandolier contacts

Page 232 - 237

HDC-Housings



Plug Hood Housings

Bulkhead Housings

Base Housings

Coupling Hoods

Please find the relevant enclosure types with the associated inserts

Product Overview Heavy Duty Connectors

Accessories



Accessories

Page 238 - 247

Cable Glands



Plastic, Brass, EMC-Cable Glands

Page 248 - 257

Introduction

Housing Overview

Our delivery program contains a large number of:

- plug hoods
- bulkhead housings
- base housings
- coupling housings

They are available in different designs and a variety of materials as well as with different cable entries and locking levers. Two different heights are available. All housings are available with or without cable glands.

The housing types of the sizes 2 to 12 meet protection class IP 65.

Group size 1 connectors with 3-, 4-, 7- and 8-poles fulfil the requirements of protection class IP 54.

Material

Our housings are generally available in metal. Group size 1 housings are available in metal and plastic.

All metal housings have a powder-painted impact-resistant surface. Housings made from thermoplastics are heat resistant, and are suitable for high temperatures.



Locking systems

HDC series housings are available with four different locking systems:

- Side locking on upper side
- Side locking on lower side
- End locking
- Central locking

Height of the hood

Weidmüller offers hoods in two different heights. Low hoods should be chosen when the height available for the connector is restricted. Higher hoods can accommodate a greater number of conductors.

Cable entry

A wide variety of cable entry options is available for all types of base housings and plug hoods. Plug hoods are available with cable entry from the side or from the top. The base housings have as an alternative one or two side cable entries.

Cable glands

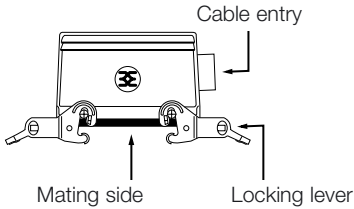
Weidmüller housings are available with cable glands. The following cable gland sizes are available: M 12 to M 63 and PG 9 to PG 42. The choice of cable gland depends on the cable diameter and location of the application.

Introduction

Housing Types

Plug Hood Types

Female inserts are usually used on the current carrying side of the connectors.



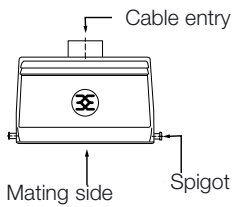
Side cable entry
Side locking lever on lower side
Low construction



Side cable entry
End locking lever on lower side
High construction



Side cable entry
Side locking on upper side
High construction



Side cable entry
Central locking position
High construction



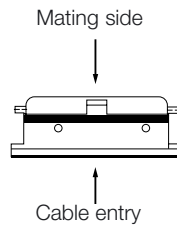
Top cable entry
Side locking lever on upper side
High construction



Top cable entry
End locking lever on lower side
High construction

Bulkhead housings

Bulkhead housings are for through-panel applications in switchgear cabinets and enclosures. All bulkhead housings are supplied with a reliable sealing gasket. In addition, Weidmüller offers bulkhead housings with or without covers. See dimensional drawings on page XIV for measurements of panel cutouts.



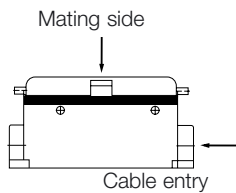
With cover
Side locking lever on upper side



Without cover
Central locking

Base housings

Base housings can be mounted in switchgear cabinets and on base plates. Weidmüller base housings are available in all sizes, and with either one or two side cable entries. Base housings are offered with or without covers.



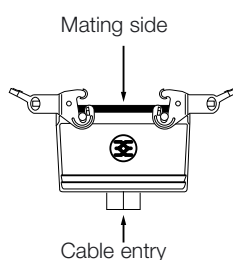
One cable entry
With cover
Side locking lever on upper side
High construction



One cable entry
Without cover
Side locking lever on lower side
Low construction

Coupling hoods

HDCs can be used as couplers in connection with the corresponding plug hoods.

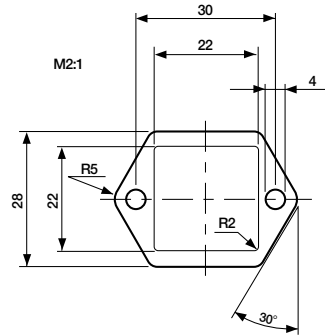


Side locking lever on lower side
High construction

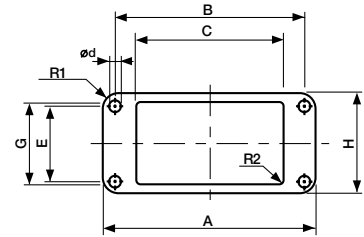


End locking lever
High construction

Panel Cutouts for Housings



Group size 1



Group size 2 to 12

Housings Type	Size	Dimensions mm/(inches)								
		A	B	C	ød	E	G	H	R1	R2
HA-3	1	40 (1.575)	30 (1.181)	22 (0.866)	4.0 (0.157)	-	22 (0.866)	28 (1.102)	-	-
HA-10	2	81 (3.189)	70 (2.756)	52.2 (2.055)	3.5 (0.953)	17.5 (0.689)	24.2 (0.953)	29.5 (1.161)	5 (0.197)	2.8 (0.108)
HB-6	3	80 (3.150)	70 (2.756)	52.2 (2.055)	4.3 (0.169)	32.0 (1.260)	35.0 (1.378)	43.0 (1.693)	5 (0.197)	3.0 (0.118)
HB-10	4	93 (3.661)	83 (3.268)	65.2 (2.567)	4.3 (0.169)	32.0 (1.260)	35.0 (1.378)	43.0 (1.693)	5 (0.197)	3.0 (0.118)
HA-16	5	96 (3.780)	86 (3.386)	73.3 (2.902)	3.5 (0.138)	17.5 (0.689)	24.2 (0.953)	29.5 (1.161)	5 (0.197)	2.8 (0.108)
HB-16	6	113 (4.449)	103 (4.055)	85.5 (3.366)	4.3 (0.169)	32.0 (1.260)	35.0 (1.378)	43.0 (1.693)	5 (0.197)	3.0 (0.118)
HA-32	7	102 (4.016)	92 (3.622)	74.2 (2.921)	4.5 (0.177)	42.0 (1.654)	48.4 (1.906)	56.0 (2.205)	5 (0.197)	3.0 (0.118)
HB-24	8	140 (5.512)	130 (5.118)	112.2 (4.417)	4.3 (0.169)	32.0 (1.260)	35.0 (1.378)	43.0 (1.693)	5 (0.197)	3.0 (0.118)
HA-48	9	124 (4.882)	110 (4.331)	88.0 (3.465)	5.5 (0.217)	65.0 (2.559)	76.6 (3.016)	83.6 (3.291)	5 (0.197)	2.8 (0.108)
HB-32	10	124 (4.882)	110 (4.331)	88.0 (3.465)	5.5 (0.217)	65.0 (2.559)	76.6 (3.016)	83.6 (3.291)	5 (0.197)	2.8 (0.108)
HB-48	12	165 (6.4969)	148 (5.827)	116.0 (4.567)	6.5 (0.256)	70.0 (2.756)	80.5 (3.169)	90 (3.543)	7 (0.276)	8.0 (0.315)

Introduction

Heavy duty connectors

Assignment of inserts and housings

Housing		Slim						Slim & High		Wide						Wide & high			
		HA-3	HAD-7 ¹⁾	HA-10	HA-16	HA-32	HA-48	HAD-15	HAD-25	HB-6	HB-10	HB-16	HB-24	HB-32	HB-48	HBD-16	HBD-24	HBD-40	HBD-64
Inserts	Size	1	1	2	5	7	9	2	5	3	4	6	8	10	12	3	4	6	8
Series	No. of poles																		
HA 3+4 pole 10 A / 400V 10-48 pole 16 A / 250V Screw connection	3	●	●																
	4	●	●																
	10			●				●											
	16				●				●										
	32					●													
	48						●												
HE 500V 16 A max. Screw & crimp connection Tension clamp connection	6									●						●			
	10										●						●		
	16											●						●	
	24												●						●
	32													●					
	48													●					
DSTV-K 380 V~ / 450 V- 16 A max. Screw connection HE compatible	6									●									
	10										●								
	16											●							
	24												●						
	32													●					
	48													●					
HD 250 V 10 A max. Crimp connection	7	●	●																
	8	●	●																
	15			●				●											
	16								●								●		
	24									●								●	
	25				●					●									
	40											●						●	
	50					●													●
	64												●						
	80												●						
	128													●					
DSTV-HD 250V~/300V-/10 A max. Screw connection HD compatible	16									●									
	24										●								
	40											●							
	64												●						
HDD 250 V 10 A max. Crimp connection	24									●						●			
	42										●						●		
	72											●						●	
	108												●						●
	144													●					
	216													●					
HVE 630 V / 16 A max. Screw connection	3+2										●						●		
	6+2											●						●	
	10+2												●						●
HSB 400 V / 35 A max. Screw connection	6											●						●	
	12													●					
	-																		
ConCept frame	Modules	HA-3	HAD-7	HA-10	HA-16	HA-32	HA-48	HAD-15	HAD-25	HB-6	HB-10	HB-16	HB-24	HB-32	HB-48	HBD-16	HBD-24	HBD-40	HBD-64
	CR6									●						●			
	CR10										●						●		
	CR16											●		● ²⁾				●	
CR 24												●		● ³⁾				●	

1) Plastic housings 2) 2x CR 16 frames 3) 2x CR 24 frames

The end of the PG thread

The European standard DIN EN 50 262 Metric screwed cable glands for electrical installations

Dates and deadlines:

A new European standard DIN EN 50262 "Metric screwed cable glands for electrical installations", which regulates the new metric measurements for threads as well as the safety requirements required of these threads, came into force on 01.04.1999. It replaced the national standards valid up to that time for PG threads: "Screwing cables and cables with PG threads" (DIN 46225 to DIN 46259, DIN 46320-1 to -4 as well as DIN 40430), which became invalid on 31.12.1999.

Design approvals in accordance with DIN VDE 0619: 1987 – 09 were valid until 31.3.2001. The new EN – standard 50 262 is mandatory in all the countries of the European Union (EU) and the countries which cooperate in ENELEC (European Committee for Electrical Standards) and accept the standard.

Practical consequences:

New constructions in the countries mentioned, may only use metric cable glands as of 1 January 2000 onwards. For you, this means that you should have changed to metric threads within the period of transition until 1 March 2001; after this date articles with PG threads are not entitled to carry the CE mark.

Declarations of conformity for articles with PG threads are no longer possible, simply because the relevant standard is no longer valid.

A big advantage of the changeover is that fewer sizes are needed. Instead of the ten previous PG sizes, only eight metric sizes of cable glands will be needed. This makes stock keeping easier.

Assignment of hole diameters to thread sizes in enclosure sides

Hole diameter Ø	M	PG
12.5 mm	M 12	
13.0 mm		Pg 7
15.5 mm		Pg 9
16.5 mm	M 16	
19.0 mm		Pg 11
20.5 mm	M 20	
21.0 mm		Pg 13.5
23.0 mm		Pg 16
25.5 mm	M 25	
29.0 mm		Pg 21
32.5 mm	M 32	
37.5 mm		Pg 29
40.5 mm	M 40	
47.5 mm		Pg 36
50.5 mm	M 50	
54.5 mm		Pg 42
60.0 mm		Pg 48
63.5 mm	M 63	

The comparison is to be considered as quantitative.

A 1-to-1 conversion is not possible. It is therefore essential for the user to compare the sealing ranges with the nominal sizes of the screw fittings and to re-classify them accordingly.

Changeover at Weidmüller:

We want to make the transition as easy as possible for you by offering you products with both cable gland standards. Housings of all sizes and all cable glands are affected by the changeover.

Metric versions can be distinguished from the old PG types by the "M" the is placed before the thread size in the type description.

In addition, the hyphens and slashes have been left out to keep the length of the type description at a manageable length.

The existing type description of the PG types have not changed.

Version

Type description

PG housing	HDC-HA-3-TOVL1/11P
metric housing	HDC HA3 TOVL 1xM20G

The final "G" in the type description means that it is a thread version, because for metric gromets and coupling housings an intermediate connecting sleeve is no longer essential. Therefore, we will supply these in a pure thread version without connecting sleeve. This does not include the grommet housings in low design and side cable exit. These are delivered with connecting sleeves. In this design, the sleeves prevent a possible contact between the cable gland and the connector insert.

Socket housings with integrally cast connecting sleeves will be supplied as a metric version. Metric socket housings without integrally cast connecting sleeves will also be included as a pure thread version for the reasons mentioned above.

We have also put together the cable glands for our metric housings in the chapter Cable Glands of this catalogue. In addition, we also offer adapters for PG to metric threads and vice versa.

We can of course produce the connectors you require according to your individual requirements.

Please contact us.

Introduction

Selecting PG Cable Glands

The PG sizes indicated are intended for stranded cables.

Cross-sec.	No. of cond.	Cable ø approx.	PG with multi-layer sealing			
0.5 mm²	2	5.7 - 8.7	9			
AWG 20	3	6 - 9	9			
	4	6.7 - 9.7	9 11			
	5	7.2 - 10.2	9 11 13.5 16			
	6	7.6 - 10.6	9 11 13.5 16			
	7	8 - 10.6	9 11 3.5 16			
	8	9.4 - 12.8	9 11 13.5 16			
	10	9.4 - 12.8	9 11 13.5 16			
	12	9.7 - 12.9	9 11 13.5 16			
	14	10.2 - 13.4	11 13.5 16			
	16	10.7 - 13.9	11 13.5 16			
	21	12.3 - 15.1	13.5 16 21			
	24	13.5 - 16.7	13.5 16 21			
	30	14.3 - 17.5	16 21			
	35	16 - 18.6	21			
	40	16.6 - 19.2	21			
	52	19.2 - 21.6	21 29			
	61	20.3 - 23.1	21 29			
	80	22.9 - 25.7	29 36			
	100	26.4 - 29.6	29 36			

Cross-sec.	No. of cond.	Cable ø approx.	PG with multi-layer sealing			
1.5 mm²	2	8 - 11	9 11 13.5 16			
AWG 16	3	8.7 - 11	9 11 13.5 16			
	4	9.7 - 11.8	9 11 13.5 16			
	5	10.8 - 13	11 13.5 16			
	6	10.8 - 14.2	11 13.5 16			
	7	10.8 - 14.2	11 13.5 16			
	8	13.2 - 16.6	13.5 16 21			
	11	13.6 - 16.8	13.5 16 21			
	12	17.6 - 16.8	13.5 16 21			
	14	14.4 - 17.6	16 21			
	16	15.8 - 18.4	16 21			
	18	16.6 - 19.2	21 29			
	20	17.4 - 20	21 29			
	25	20.2 - 23	21 29			
	32	23.8 - 24.5	29 36			
	34	22.6 - 25.4	29 36			
	42	25.8 - 29	29 36			
	50	27 - 30.2	29 36			
	56	27.8 - 31	29 36			
	61	28.6 - 31.8	36			
	80	33 - 36.4	36 42			
	90	34.6 - 37.6	36 42			
	100	37.8 - 41.4	42			

Cross-sec.	No. of cond.	Cable ø approx.	PG with multi-layer sealing			
0.75 mm²	2	6.8 - 9.8	9 11			
AWG 18	3	7.2 - 9.7	9 11			
	4	7.9 - 10.3	9 11			
	5	8.9 - 10.9	9 11 13.5 16			
	6	8.9 - 12.3	9 11 13.5 16			
	7	9.6 - 12.3	9 11 13.5 16			
	8	10.4 - 13.8	11 13.5 16			
	9	10.7 - 13.9	11 13.5 16			
	10	10.4 - 13.8	11 13.5 16			
	12	10.7 - 13.9	11 13.5 16			
	15	12.3 - 13.5	13.5 16			
	18	13 - 16.2	13.5 16 21			
	21	13.6 - 16.8	13.5 16 21			
	25	15.9 - 18.5	16 21			
	32	17.1 - 19.7	21 29			
	40	19 - 21.4	21 29			
	50	21.3 - 24.1	21 29			
	61	22.6 - 25.4	21 29 36			
	80	26.1 - 29.3	29 36			
	100	29.4 - 33	36			

Cross-sec.	No. of cond.	Cable ø approx.	PG with multi-layer sealing			
2.5 mm²	2	9.8 - 12.8	9 11 13.5 16			
AWG 12 - 14	3	10.6 - 13.4	11 13.5 16			
	4	11.7 - 14.4	11 13.5 16			
	5	13 - 16.4	13.5 16 21			
	6	13.3 - 16.7	13.5 16 21			
	7	13.3 - 16.7	13.5 16 21			
	8	17.4 - 20.8	21 29			
	11	18 - 20.6	21 29			
	16	20.6 - 23.4	21 29			
	18	21.7 - 24.5	29 36			
	25	26.4 - 29.6	29 36			
	34	31.3 - 33.1	36 42			
	50	37 - 39.4	42			
	61	39 - 41.5	42			

Cross-sec.	No. of cond.	Cable ø approx.	PG with multi-layer sealing			
1 mm²	2	7.1 - 10.1	9 11			
AWG 16 - 18	3	7.5 - 10.1	9 11			
	4	8.4 - 10.7	9 11 13.5			
	5	9.2 - 11.4	9 11 13.5 16			
	6	9.2 - 12.6	9 11 13.5 16			
	7	9.2 - 12.6	9 11 13.5 16			
	8	11 - 14.4	11 13.5 16 21			
	9	11.8 - 15.2	11 13.5 16 21			
	10	11 - 14.4	11 13.5 16 21			
	12	11.8 - 14.6	11 13.5 16 21			
	14	12.4 - 15.2	13.5 16 21			
	16	13 - 16.2	13.5 16 21			
	18	13.7 - 16.9	13.5 16 21			
	20	14.4 - 17.6	16 21			
	24	16.5 - 19.1	21 29			
	25	16.9 - 19.5	21 29			
	34	19.4 - 21.8	21 29			
	48	22 - 24.8	21 29			
	56	23.2 - 26	21 29 36			
	61	24.5 - 27.2	29 36			
	80	27.7 - 30.9	36			
	100	31.8 - 35.2	36 42			

Cross-sec.	No. of cond.	Cable ø approx.	PG with multi-layer sealing			
4 mm²	2	10.7 - 14.1	11 13.5 16 21			
AWG 10 - 12	4	13 - 16.4	13.5 16 21			
	5	14.3 - 17.7	16 21			
	7	16.2 - 19.6	21 29 36			
	11	approx. 24.5	29 36			

Introduction

Selecting Metric Cable Glands

The m-sizes indicated are intended for stranded cables.

Please observe the clamping range of your choice of metric cable glands

Cross-sec.	No. of cond.	Cable ø approx.	Metric thread		
0.5 mm²	2	5.7 - 8.7	12	16	20
AWG 20	3	6 - 9	12	16	20
	4	6.7 - 9.7	12	16	20
	5	7.2 - 10.2	16	20	16
	6	7.6 - 10.6	16	20	16
	7	8 - 10.6	16	20	16
	8	9.4 - 12.8	16	20	16 25
	10	9.4 - 12.8	16	20	16 25
	12	9.7 - 12.9	16	20	16 25
	14	10.2 - 13.4	20	16	25
	16	10.7 - 13.9	20	16	25
	21	12.3 - 15.1	20	16	25
	24	13.5 - 16.7	16	25	32
	30	14.3 - 17.5	16	25	32
	35	16 - 18.6	25	32	
	40	16.6 - 19.2	25	32	40
	52	19.2 - 21.6	32	40	
	61	20.3 - 23.1	32	40	
	80	22.9 - 25.7	32	40	
	100	26.4 - 29.6	40	50	

Cross-sec.	No. of cond.	Cable ø approx.	Metric thread		
1.5 mm²	2	8 - 11	12	16	20
AWG 16	3	8.7 - 11	16	20	25
	4	9.7 - 11.8	16	20	25
	5	10.8 - 13	20	25	
	6	10.8 - 14.2	20	25	
	7	10.8 - 14.2	20	25	
	8	13.2 - 16.6	25	32	
	11	13.6 - 16.8	25	32	
	12	17.6 - 16.8	25	32	
	14	14.4 - 17.6	25	32	
	16	15.8 - 18.4	25	32	
	18	16.6 - 19.2	25	32	
	20	17.4 - 20	25	32	40
	25	20.2 - 23	32	40	
	32	23.8 - 24.5	40		
	34	22.6 - 25.4	40		
	42	25.8 - 29	40	50	
	50	27 - 30.2	40	50	
	56	27.8 - 31	40	50	
	61	28.6 - 31.8	40	50	
	80	33 - 36.4	50	63	
	90	34.6 - 37.6	50	63	
	100	37.8 - 41.4	50	63	

Cross-sec.	No. of cond.	Cable ø approx.	Metric thread		
0.75 mm²	2	6.8 - 9.8	12	16	20
AWG 18	3	7.2 - 9.7	12	16	20
	4	7.9 - 10.3	12	16	20
	5	8.9 - 10.9	16	20	
	6	8.9 - 12.3	16	20	25
	7	9.6 - 12.3	16	20	25
	8	10.4 - 13.8	20	25	
	9	10.7 - 13.9	20	25	
	10	10.4 - 13.8	20	25	
	12	10.7 - 13.9	20	25	
	15	12.3 - 13.5	20	25	
	18	13 - 16.2	25	32	
	21	13.6 - 16.8	25	32	
	25	15.9 - 18.5	25	32	
	32	17.1 - 19.7	25	32	
	40	19 - 21.4	32	40	
	50	21.3 - 24.1	32	40	
	61	22.6 - 25.4	40		
	80	26.1 - 29.3	40	50	
	100	29.4 - 33	40	50	

Cross-sec.	No. of cond.	Cable ø approx.	Metric thread		
2.5 mm²	2	9.8 - 12.8	16	20	25 16
AWG 12 - 14	3	10.6 - 13.4	20	25	16
	4	11.7 - 14.4	20	25	16
	5	13 - 16.4	20	25	16 32
	6	13.3 - 16.7	25	16	32
	7	13.3 - 16.7	25	16	32
	8	17.4 - 20.8	25	32	40
	11	18 - 20.6	25	32	40
	16	20.6 - 23.4	32	40	
	18	21.7 - 24.5	40		
	25	26.4 - 29.6	40	50	
	34	31.3 - 33.1	40	50	
	50	37 - 39.4	50	63	
	61	39 - 41.5	50	63	

Cross-sec.	No. of cond.	Cable ø approx.	Metric thread		
1 mm²	2	7.1 - 10.1	12	16	20
AWG 16 - 18	3	7.5 - 10.1	12	16	20
	4	8.4 - 10.7	16	20	
	5	9.2 - 11.4	16	20	25
	6	9.2 - 12.6	16	20	25
	7	9.2 - 12.6	16	20	25
	8	11 - 14.4	20	25	
	9	11.8 - 15.2	20	25	32
	10	11 - 14.4	20	25	32
	12	11.8 - 14.6	20	25	32
	14	12.4 - 15.2	20	25	32
	16	13 - 16.2	25	32	
	18	13.7 - 16.9	25	32	
	20	14.4 - 17.6	25	32	40
	24	16.5 - 19.1	25	32	40
	25	16.9 - 19.5	25	32	40
	34	19.4 - 21.8	32	40	
	48	22 - 24.8	40		
	56	23.2 - 26	40	50	
	61	24.5 - 27.2	40	50	
	80	27.7 - 30.9	40	50	
	100	31.8 - 35.2	40	50	63

Cross-sec.	No. of cond.	Cable ø approx.	Metric thread		
4 mm²	2	10.7 - 14.1	20	25	
AWG 10 - 12	4	13 - 16.4	25	32	
	5	14.3 - 17.7	25	32	
	7	16.2 - 19.6	25	32	
	11	approx. 24.5	40		

Selecting HDC Plugs



The following steps will quickly help you find the suitable glands for your application:

1. Determining application requirements

1.1 Connections (number of conductors)

Standard heavy-duty connectors from Weidmüller can connect between 3 and 216 conductors in the same connector.

1.2 Electrical requirements

Standard, heavy-duty connectors are VDE-rated for voltages between 250 VAC and 600 VAC, and currents between 10 A and 35 A, depending on the number of poles. They are approved by Underwriters Laboratories Inc. (UL) for voltages between 250 VAC and 600 VAC and currents between 7 A and 35 A, depending on the number of poles.

2. Determining the series and group size of enclosure inserts

2.1 Series

There are 6 different series of inserts for use in basic connectors. Select the correct series according to the features listed in step 1 using the table on page XV.

2.2 Group size

Weidmüller heavy-duty basic connectors are available in 11 different sizes. The size of the connector depends on the electrical requirements, number of connections as well as the selected series. The required group size can also be taken from the table on page XV.

3. Selecting the male and the female insert

The inserts for basic connectors are available with either screw, clamp or crimp connections. The inserts with the available connection technology can be found at the beginning of each series.

The table on page XV offers a clear overview.

All inserts with crimp connections are supplied without crimp contacts.

4. Selecting the housing

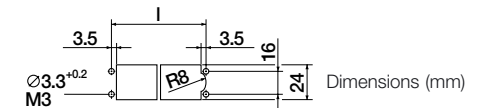
The housing types for heavy-duty connectors can be found in the catalogue after the appropriate inserts.

An explanation of the type classification can be found on page XXI.

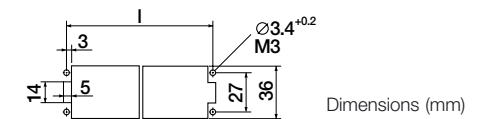
5. Selecting the appropriate accessories and tools

A complete list of accessories is available from page 238 onwards.

Mounting Details for Direct Assembly of Inserts



Type	Length (l)
HA 10/HD 15	49.5
HA 16/HD 25	66



Type	Length (l)
HE 6/HD 16/HDD 24	44
HE 10/HD 24/HDD 42	57
HE 16/HD 40/HDD 72	77.5
HE 24/HD 64/HDD 108	104

Introduction

Through Panel Connectors Selecting the Connector

The following steps will help you to quickly and easily select the appropriate through panel connector for your application:

1. Determining application requirements

1.1 Electrical requirements

Through panel connectors are VDE-rated for voltages between 250 V and 380 V, and for currents between 10 A to 16 A. They are approved by Underwriters Laboratories Inc. (UL) for voltages up to 600 V and currents between 7 A and 16 A.

1.2 Connections (number of conductors)

The through panel connectors from Weidmüller can safely connect between 6 and 64 conductors per connector.

2. Determining the size and series of the insert

There are two versions of through panel connectors available. (See graphic on right).

The **DSTVK**-inserts are compatible with HE-inserts. The **DSTV-HD**-inserts are compatible with HD-inserts. Choose the correct series and size according to the characteristics determined in step 1 with the help of the table on page XV.

3. Selecting the male and female insert

The DSTV-inserts are available as either male or female inserts. The suitable connector can be selected as described below.

The inserts for the through panel connectors (DSTVK and DSTV-HD) for bulkhead enclosures are available with screw connections only. Select the protective earth connection right or left according to which side of the switchgear cabinet the DSTV is to be mounted. (See graphic below).

4. Selecting the housing

DSTVK and DSTV-HD ranges are designed for mounting through switchgear cabinet panels. They are mounted together with bulkhead enclosures. Bulkhead enclosures for the DSTV are in this catalogue after the corresponding DSTV-inserts. An explanation of the type classification is on the next page.

5. Selecting the appropriate accessories and tools

A complete list of accessories is available from page 232 onwards.

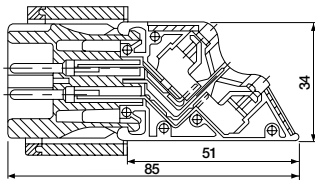


DSTVK

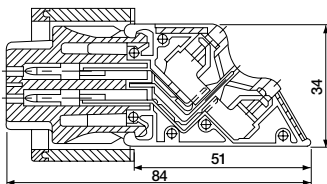
Screw connection



Male insert



Female insert

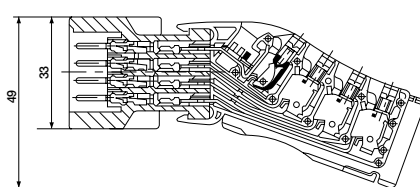


- TOP 2.5 - screw connection
- Number of poles: 6, 10, 16, 24, 32, 48 (Note: 32-pole connectors are composed of two 16-pole inserts with numbers 1-16 and 17-32; 48-pole connectors are composed of two 4-pole inserts with numbers 1-24, 25-48).

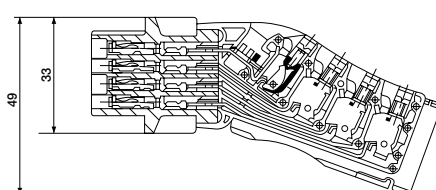
DSTV-HD



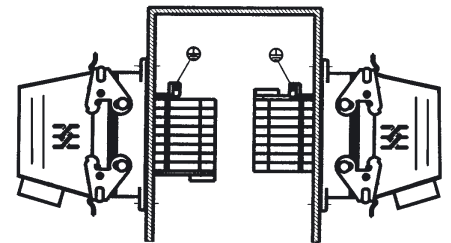
Male insert



Female insert



- TOP 1.5 - screw connection
- 135° cable entry (45°-angle) from the connection point
- Nos. of poles: 16, 24, 40, 64



Through panel connector are available in the versions with

- Protective conductor, left
- Protective conductor, right.

Technical Data

Overview

Fixe-pole connectors

	DSTV-K	HE	HA	DSTV-HD	HD	HDD	HSB	HVE
Material								
Inserts	PC glass-fibre reinforced (UL listed)							
Temperatur range °C	-40...+125	-40...+125	-40...+125	-40...+125	-40...+125	-40...+125	-40...+125	-40...+125
Contacts	copper alloy							
Surface	Ag	Ag/Au	Ag	Au/Sn	Au/Sn	Au/Ag	Ag	Ag
Characteristic values								
No. of poles	6-48	6-48	3-48	6-64	7-128	24-216	6-12	3-10
Coding	yes	yes	yes	yes	yes	yes	yes	yes
without pole loss								
Connection frequency	≤ 100	≤ 100	≤ 100	≤ 100	≤ 100	≤ 100	≤ 100	≤ 100
Clamping range mm ²	0.5-2.5	0.5-2.5/0.5-4.0 ¹⁾	0.5-2.5	0.5-1.5	0.14-2.5	0.14-2.5	0.5-6,0	0.5-2.5
Conductor diameter AWG	20...14	20...12	20...14	20...16	20...16	26...14	20...10	20...14
Insulation stripping								
- T. clamp connect.	—	7.0 mm	—	—	—	—	—	—
- Screw connection	8.0 mm	7.0 mm	3+4-p. 6.0 mm 10-48-p. 7.0 mm	10.0 mm	—	—	11.0 mm	11.0 mm
- Crimp connection	—	7.5 mm	—	—	4.0 mm	8.0 mm	—	—
Rated data								
Rated current	16 A max.	16 A max.	3+4-p. 10 A max. 10-48-p. 16 A max.	10 A max.	10 A max.	10 A max.	35 A max.	16 A max.
Rated voltage i.a.w. VDE		400 V	500 V	3+4-p. 400 V 10-48-p. 250 V	250 V	250 V	250 V	400 V 630
Rated voltage 600Vac i.a.w. UL/CSA		600Vac	600Vac	600Vac	600Vac	600Vac	300Vac	600Vac
Protection with housing according to DIN 40050	IP 65/20	IP 65/20	3+4-p. IP 54/20 10-48-p. IP 65/20	IP 65/20	IP 65/20	IP 65/20	IP 65/20	IP 65/20

¹⁾ with crimp connection

Technical data for ConCept, are listed in the respective chapters.

Technical Data

Protection classes according to EN 60 529/DIN0470

Degree of protection against foreign bodies (1. digit)		Degree of protection against water (2. digit)	
Code no.		Code no.	
0	No protection	0	No protection
1	Protection against large foreign bodies (i.e. objects of 50 mm in diameter or larger. Dangerous parts are protected against touch with backs of hands.	1	Vertically dripping drops of water must not have a damaging effect.
2	Protection against foreign bodies of 12.5 mm diameter or larger. Dangerous parts are protected against finger-touch.	2	Vertically dripping drops of water must not have a damaging effect, if the housing inclines up to a maximum of 15° either side of the perpendicular.
3	Protection against foreign bodies of 2.5 mm diameter or larger. Dangerous parts are protected against touch with tools.	3	Spraying water, sprayed at an angle up to 60° either side of the perpendicular must not have a damaging effect.
4	Protection against foreign bodies of 1 mm diameter or larger. Dangerous parts are protected against touch with wire.	4	Splashing water, splashing against the housing from any angle must not have a damaging effect.
5	Protection against dust; is not completely dust-tight, but it is not permitted to penetrate in amounts that would impair the operation of the device or safety.	5	Hose water, which is aimed against the housing from any angle must not have a damaging effect.
6	Dust-tight, no dust penetration.	6	Jet water, which is aimed against the housing from any angle must not have a damaging effect.
		7	Water must not penetrate the housing in an amount that could cause damage, if the housing is temporarily immersed in water when operating under standardized pressure and time conditions.
		8	Water must not penetrate the housing in an amount that could cause damage, if the housing is permanently submerged in water under conditions, which are to be agreed between the manufacturer and user. The conditions must be more difficult than those described in point 7.

**Optimum protection
by choosing the optimum connector
from Weidmüller**

Quality and materials

Weidmüller's products for the electrical engineering sector are made of proven materials.

All materials are subject to stringent quality control in a quality control system certified according to DIN ISO 9001.

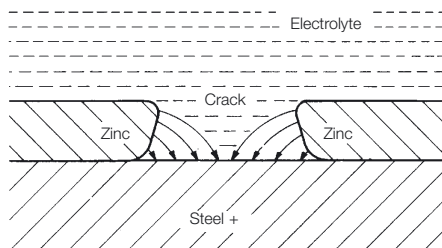
Environmental compatibility plays a decisive role in the selection of materials.

Metal

All metals used by Weidmüller are selected, processed and surface treated using the latest technology.

Steel

Steel components are zinc-plated and provided with an additional passivation by a yellow chromate layer. This surface protection stands up to the highest demands. The experience acquired from outdoor climatic storage tests at various locations (industrial, maritime, tropical and normal climates) has been used to enhance the quality of the surface protection. Zinc's protection against corrosion is still effective over a long period of time even if the layer of zinc is partially damaged by scratches or pores. Zinc reacts negatively to steel under the effects of electrolyte. The metal ions of the zinc migrate to the steel; thus preventing the basic material from corroding over a long period of time.



Conductive materials

Copper, brass and bronze are highly conductive materials and at the same time possess excellent mechanical properties. The surfaces are usually provided with a tin-lead layer. The tin-lead layer guarantees an unusually tight contact, which results in low contact resistances. The tin-lead plating offers excellent protection against corrosion, in addition to its consistently good electrical properties.

Solder connections are also provided with a tin-lead layer. In order to maintain the good soldering properties of the tin-lead plating, even after long storage periods, brass components are provided with an additional nickel layer, which acts as a diffusion barrier. This nickel layer effectively prevents zinc atoms from escaping from the brass.

Insulating materials

In order to meet the various demands made on our products, it is necessary to use different types of insulating material to suit individual applications. All insulating materials used by Weidmüller are asbestos-free and contain no cadmium-based colour pigments.

Thermoplastics

Polyamide (PA) is one of the most frequently used technical plastics. The advantages of this material are its good electrical and mechanical properties, flexibility and insusceptibility to fracture. Furthermore, this material also offers good fire resistance due to its chemical structure, without the use of flameproofing agents (inherent flame protection).

Wemid is a modified thermoplastic whose properties are specially adjusted to meet the requirements of our cable connectors. The advantages compared to PA are improved fire protection and increased continuous operating temperature.

Thermoplastic polyester (PBT) offers excellent dimensional stability - that is why it is used for connectors - and high continuous operating temperature. The tracking resistance is lower in comparison with other insulating materials.

Glass fibre reinforced polyamide (PA GF) offers excellent dimensional stability and good mechanical properties, which makes it ideal for use as end brackets. Compared to unreinforced PA, this material is to be classified in the flammability class HB according to UL 94.

Thermosetting plastics

Thermosetting plastics possess high dimensional stability, absorb a negligible amount of water, have very high tracking resistance and excellent fire resistance properties. Compared to thermoplastics, the continuous service temperature is higher. With increased thermal load, the form strength of thermosetting plastics is better than that of thermoplastics. A disadvantage in comparison with thermoplastics is that thermosetting plastics are less flexible.

Clearances and tracking distances in electrical equipment

General:

The specifications VDE 0110, Parts 1 and 2 have been applicable to the dimensioning of clearances and tracking distances "insulation co-ordination for electrical equipment within low voltage systems", as of 1 January 1989.

DIN VDE 0010, Part 1 is a factual adoption of the IEC Report 664 and 664 A (see also IEC 664-1/10.92).

The ratings resulting from these specifications - where applicable - are indicated along with the product in this catalogue.

In some specifications applicable to equipment (for example, DIN VDE 0627/6.86 for connectors), the specifications for clearances and tracking distances are still based on VDE 0110/11.72

and VDE 0110 b/2.79 "Specifications for rating of clearances and tracking distances of electrical equipment".

Information resulting from data based on these specifications has therefore been retained in this catalogue for the respective products.

VDE 0110/1.89 (IEC report 664 and 664 A) Dimensioning of clearances and tracking distances; insulation co-ordination for electrical equipment within low-voltage systems

The following connections for dimensioning of clearances and tracking distances result from the specifications for insulation coordination:

- **Clearances** are dimensioned according to the anticipated **overvoltages** taking into account the ratings of the **overvoltage protection precautions** taken and the anticipated environmental conditions taking into account the protective measures taken against **pollution**.
- **Tracking distances** are dimensioned according to the **working voltage** and the anticipated environmental conditions taking into account the protective measures taken against **pollution**, and types of **insulating materials** used.

Dimensioning of clearances

Decisive for dimensioning of clearances are the **rated impulse voltages** shown in table 1, which result from the **overvoltage category** and the **phase-to-earth voltage** derived from the rated supply voltage.

The minimum clearances (up to site altitudes of 2000 m above mean sea level) are determined from table 2, taking into account the **rated impulse voltage** and the **pollution severity**.

Note:

Clearances which do not correspond to case A, must be subjected to an impulse voltage test (see table 2, footnote 1).

Pollution severity categories are assigned as follows:

Pollution severity category 1:
No or only dry, non-conductive pollution occurs; the pollution has no effect.

Pollution severity category 2:
Only non-conductive pollution occurs; temporary conductivity can occasionally be expected due to condensation.

Pollution severity category 3:
Conductive pollution or dry, non-conductive pollution occurs liable to be rendered conductive due to anticipated condensation.

Pollution severity category 4:
Contamination results in constant conductivity, e.g. caused by conductive dust, rain or snow.

Table 1: Rated impulse voltages (voltage waveform: 1.2/50 µs to DIN VDE 0432 Part 2)

Phase-to-earth voltages in V derived from rated supply voltages up to U _{eff} and U _r	Rated impulse voltages in V for overvoltages category			
	I	II	III	IV
50	330	500	800	1500
100	500	800	1500	2500
150	800	1500	2500	4000
300	1500	2500	4000	6000
600	2500	4000	6000	8000
1000	4000	6000	8000	12000

Table 2

Rated impulse voltage in KV	Minimum clearances in mm up to 2000 m above mean sea level									
	Case A (inhomogeneous field ¹⁾)					Case B (homogeneous field ¹⁾)				
	Pollution severity					Pollution severity				
	1	2	2	3	4	1	2	2	3	4
0.33 ²⁾	0.01	0.2	0.14)	0.8	1.6	0.01	0.2	0.14)	0.8	1.6
0.40	0.02	0.2	0.14)	0.8	1.6	0.02	0.2	0.14)	0.8	1.6
0.50 ²⁾	0.04	0.2	0.14)	0.8	1.6	0.04	0.2	0.14)	0.8	1.6
0.60	0.06	0.2	0.124)	0.8	1.6	0.06	0.2	0.124)	0.8	1.6
0.80	0.1	0.2	0.2	0.8	1.6	0.1	0.2	0.2	0.8	1.6
1.0	0.15	0.2	0.2	0.8	1.6	0.15	0.2	0.2	0.8	1.6
1.2	0.25	0.25	0.25	0.8	1.6	0.2	0.2	0.2	0.8	1.6
1.5 ²⁾	0.5	0.5	0.5	0.8	1.6	0.3	0.3	0.3	0.8	1.6
2.0	1	1	1	1	1.6	0.45	0.45	0.45	0.8	1.6
2.5 ²⁾	1.5	1.5	1.5	1.5	1.6	0.6	0.6	0.6	0.8	1.6
3.0	2	2	2	2	2	0.8	0.8	0.8	0.8	1.6
4.0 ²⁾	3	3	3	3	3	1.2	1.2	1.2	1.2	1.6
5.0	4	4	4	4	4	1.5	1.5	1.5	1.5	1.6
6.0 ²⁾	5.5	5.5	5.5	5.5	5.5	2	2	2	2	2
8.0 ²⁾	8	8	8	8	8	3	3	3	3	3
10	11	11	11	11	11	3.5	3.5	3.5	3.5	3.5
12 ²⁾	14	14	14	14	14	4.5	4.5	4.5	4.5	4.5
15	18	18	18	18	18	5.5	5.5	5.5	5.5	5.5
20	25	25	25	25	25	8	8	8	8	8
25	33	33	33	33	33	10	10	10	10	10
30	40	40	40	40	40	12.5	12.5	12.5	12.5	12.5
40	60	60	60	60	60	17	17	17	17	17
50	75	75	75	75	75	22	22	22	22	22
60	90	90	90	90	90	27	27	27	27	27
80	130	130	130	130	130	35	35	35	35	35
100	170	170	170	170	170	45	45	45	45	45

¹⁾ Surge voltage test is required as proof, if the clearance is less than the value indicated in case A.

²⁾ Preferred values from table 1.

³⁾ Prod against printed board.

⁴⁾ These values apply in deviation from IEC report 664 for printed circuits; an corresponding German amendment proposal has been made to the IEC.

The following aspects apply to the **over-voltage categories** in accordance with the national standard DIN VDE 0110, Part 2:

- Equipment in overvoltage category 1 is only intended for use in apparatus or parts of systems in which no overvoltages will occur or are specially protected against overvoltages by means of surge voltage protectors, filters or capacitors.

Note:

The equipment in this category is mainly operated with low voltages.

- Equipment in overvoltage category II is intended for use in systems or parts thereof in which lightning overvoltages do not have to be taken into account.

Note:

This includes, for example, electrical household appliances.

- Equipment in overvoltage category III is intended for use in systems or parts thereof in which lightning overvoltages do not have to be taken into account, but are subject to particular requirements in respect of the safety and availability of the equipment or dependent supply systems.

Overvoltages generated from equipment itself must not exceed the values in overvoltage category II.

Note:

This includes equipment for fixed installations, e.g. protective devices, contactors, switches and socket-outlets.

- Equipment in overvoltage category IV is intended for use in systems or parts thereof in which lightning overvoltages must be taken into account.

Overvoltages generated from equipment itself must not exceed the values in overvoltage category II.

Note 1:

This includes equipment for connection to overhead lines, e.g. ripple-control receivers, counters.

Note 2:

Where buildings are supplied by a cable system (underground), dimensioning of equipment can be made according to overvoltage category III.


Note on application of pollution severity and overvoltage categories: The pollution severity and rated impulse voltage derived from the overvoltage category are each specified in this catalogue product-related.

Fundamentally, the dimensioning of clearances and tracking distances and resultant specification of ratings for electro-mechanical products (terminal blocks, terminal strips, printed circuit board terminals and connectors) is based on the pollution severity category 3 and overvoltage category III.

Dimensioning of tracking distances:

Decisive for dimensioning of tracking distances are the **rated voltages** derived from the power supply for the respective **type of supply system** in conjunction with the **pollution severity** (classification, see under clearances) and the **insulating material** used. Taking into account tables 3 and 4 and the CTI (Comparative Tracking Index) of the insulating material, the minimum tracking distances are determined in table 5.

Table 3: Single-phase two or three-system AC or DC systems

Rated voltage of power supply ¹⁾	Rated voltage in V	
	Phase-to-phase All systems (between phases with varying polarity for U_{-})	Phase-to-earth 
U_{en} or U_{-} in V	U_{en} or U_{-}	U_{en} or U_{-}
12.5	12.5	–
24	25	–
25	25	–
30	32	–
42	50	–
48	50	–
50 ²⁾	50	–
60	63	–
60/30	63	32
100 ²⁾	100	–
110	125	–
120	125	–
150 ²⁾	160	–
220	250	–
220/110	250	125
240/120	250	125
300 ²⁾	320	–
440/220	500	250
600 ²⁾	630	–
960/480	1000	500
1000 ²⁾	1000	–

¹⁾ This voltage can be equal to the rated voltage of the equipment.

²⁾ These values correspond to the values in table 1.

Table 4: Three-phase four or three-system AC systems

Rated voltage of power supply ¹⁾	Rated voltage in V		
	Phase-to-phase All systems		Phase-to-earth
U_{en} in V	U_{en}	U_{en}	U_{en}
60	63	32	63
110	125	80	125
120	125	80	125
127	125	80	125
150 ²⁾	160	–	160
208	200	125	200
220	250	160	250
230	250	160	250
240	250	160	250
300 ²⁾	320	–	320
380	400	250	400
400	400	250	400
415	400	250	400
440	500	250	500
480	500	320	500
500	500	320	500
575	630	400	630
600 ²⁾	630	–	630
660	630	400	630
690	630	400	630
720	800	500	800
830	800	500	800
960	1000	630	1000
1000 ²⁾	1000	–	1000

¹⁾ This voltage can be equal to the rated voltage of the equipment.

²⁾ These values correspond to the values in table 1.

³⁾ In countries where both types of system, star and delta, earthed and unearthed occur, only the values for delta systems should be used. Systems earthed via impedance should be treated in the same as unearthed systems.

Technical Data

Clearances and tracking distances in electrical equipment

Table 5: Minimum tracking distances

Rated voltage	Minimum tracking distance in mm															
	Printed circuits				Other equipment											
	Pollution severity		Pollution severity		Pollution severity						Pollution severity					
	1	2	1	2	Insulating material			Insulating material			Insulating material			Insulating material		
U _{-eff} or U _{in} V	I, II, IIIa, IIIb, II, IIIa		I, II, IIIa, IIIb		I	II	IIIa	IIIb	I	II	IIIa	IIIb	I	II	IIIa	IIIb
10	0.025	0.04	0.08	0.4	0.4	0.4	0.4	0.4	1	1	1	1	1	1.6	1.6	1.6
12.50	.025	0.04	0.09	0.42	0.42	0.42	0.42	1.05	1.05	1.05	1.05	1.05	1.6	1.6	1.6	1.6
16	0.025	0.04	0.1	0.45	0.45	0.45	0.45	1.1	1.1	1.1	1.1	1.1	1.6	1.6	1.6	1.6
200	.025	0.04	0.11	0.48	0.48	0.48	0.48	1.2	1.2	1.2	1.2	1.2	1.6	1.6	1.6	1.6
25	0.025	0.04	0.125	0.5	0.5	0.5	0.5	1.25	1.25	1.25	1.25	1.25	1.7	1.7	1.7	1.7
32	0.025	0.04	0.14	0.53	0.53	0.53	0.53	1.3	1.3	1.3	1.3	1.3	1.8	1.8	1.8	1.8
40	0.025	0.04	0.16	0.56	0.8	1.1	1.1	1.4	1.6	1.8	1.8	1.9	2.4	3	3	3
50	0.025	0.04	0.18	0.6	0.85	1.2	1.2	1.5	1.7	1.9	1.9	2	2.5	3.2	3.2	3.2
63	0.04	0.63	0.2	0.63	0.9	1.25	1.25	1.6	1.8	2	2	2.1	2.6	3.4	3.4	3.4
80	0.063	0.1	0.22	0.67	0.95	1.3	1.3	1.7	1.9	2.1	2.1	2.2	2.8	3.6	3.6	3.6
100	0.1	0.16	0.25	0.71	1	1.4	1.4	1.8	2	2.2	2.2	2.4	3	3.8	3.8	3.8
125	0.16	0.25	0.28	0.75	1.05	1.5	1.5	1.9	2.1	2.4	2.4	2.5	3.2	4	4	4
160	0.25	0.4	0.32	0.8	1.1	1.6	1.6	2	2.2	2.5	2.5	3.2	4	5	5	5
200	0.4	0.63	0.42	1	1.4	2	2	2.5	2.8	3.2	3.2	4	5	6.3	6.3	6.3
250	0.56	1	0.56	1.25	1.8	2.5	2.5	3.2	3.6	4	4	5	6.3	8	8	8
320	0.75	1.6	0.75	1.6	2.2	3.2	3.2	4	4.5	5	5	6.3	8	10	10	10
400	1	2	1	2	2.8	4	4	5	5.6	6.3	6.3	8	10	12.5	12.5	12.5
500	1.3	2.5	1.3	2.5	3.6	5	5	6.3	7.1	8	8	10	12.5	16	16	16
630	1.8	3.2	1.8	3.2	4.5	6.3	6.3	8	9	10	10	12.5	16	20	20	20
800	2.4	4	2.4	4	5.6	8	8	10	11	12.5	12.5	16	20	25	25	25
1000	3.2	5	3.2	5	7.1	10	10	12.5	14	16	16	20	25	32	32	32
1250			4.2	6.3	9	12.5	12.5	16	18	20	20	25	32	40	40	40
1600			5.6	8	11	16	16	20	22	25	25	32	40	50	50	50
2000			7.5	10	14	20	20	25	28	32	32	40	50	63	63	63
2500			10	12.5	18	25	25	32	36	40	40	50	63	80	80	80
3200			12.5	16	22	32	32	40	45	50	50	63	80	100	100	100
4000			16	20	28	40	40	50	56	63	63	80	100	125	125	125
5000			20	25	36	50	50	63	71	80	80	100	125	160	160	160
6300			25	32	45	63	63	80	90	100	100	125	160	200	200	200
8000			32	40	56	80	80	100	110	125	125	160	200	250	250	250
10000			40	50	71	100	100	125	140	160	160	200	250	320	320	320

1) Insulating material I or insulating material II, IIIa, IIIb, where the possibility of tracking is reduced as a result of the conditions of section 10.8.

2) Insulating material I, II, IIIa, IIIb

3) Insulating material I, II, IIIa

The **insulating materials** are divided into the following four groups according to their CTI (Comparative Tracking Index):

Insulating material	Pollution severity	Minimum width x in mm
I	600 ≤ CTI	0.25
II	400 ≤ CTI < 600	1.0
III a	175 ≤ CTI < 400	1.5
III b	100 ≤ CTI < 175	2.5

Slots are taken into account in the measurement of tracking distances if their minimum width X is dimensioned according to the following table:

The comparative tracking index must be determined with test solution A on specially prepared samples according to DIN IEC 112/VDE 0303, Part 1.

If the associated clearance is less than 3 mm, the minimum width X can be reduced to 1/3 of the clearance.

Table 6: Minimum values for clearance and tracking distances in mm

1	2	3	4	5	6	7	8	9	10	11	12	13	14	15
Reference voltage (according to table 1) to		Insulation group A0		Insulation group A		Insulation group B		Insulation group C			Insulation group D			
AC voltage (r.m.s.)	DC voltage	Clearance	tracking distance	Clearance	tracking distance	Clearance	tracking distance		Clearance	tracking distance		Clearance	tracking distance	
V	V	mm	mm	mm	mm	a mm	b mm	mm	a mm	b mm	mm	a mm	b mm	mm
12	15	0.06	0.1	0.15	0.2	0.4	0.6	0.8	0.8	1.2	1.7	1.6	2.3	3.2
30	36	0.1	0.15	0.2	0.25	0.5	0.8	1	1	1.5	2	1.8	3.6	3.5
60	75	0.15	0.2	0.25	0.35	0.7	1	1.3	1.2	1.7	2.3	2	3	4
125	150	0.25	0.35	0.4	0.5	1	1.3	2	1.6	2.2	3	2.5	3.5	5
250	300	0.5	0.7	0.8	1	1.6	2	3	2.5	3	4	3.5	5	7.5
380	450	0.8	1.1	1.2	1.5	2.4	3	4	3.5	4.5	6	5	7	10
500	600	1.1	1.5	1.6	2	3	4	5.5	4.5	6	8	6.5	9	13
660	800	1.5	2	2.2	2.8	4	5.5	7	6	8	10.5	8	12	17
750	900	1.8	2.2	2.5	3.2	4.5	6	8	6.5	9	12	9	13	19
1000	1200	2.5	3	3.5	4.5	6	8	11	9	12	16	12	17	25
1500	1800	4	5	5.5	7	9	12	17	13	18	24	17	25	36
2000	2400	5.5 ¹⁾	7	7.5 ¹⁾	9.5	12	16	23	17	24	30	22	33	47
3000	3600	9 ¹⁾	11	12 ¹⁾	15	18 ¹⁾	25	36	26 ¹⁾	36	45	32 ¹⁾	48	70
6000	7200	20 ¹⁾	25	26 ¹⁾	32	36 ¹⁾	50	70	50 ¹⁾	70	90	60 ¹⁾	90	125
10000	12000	35 ¹⁾	45	45 ¹⁾	55	60 ¹⁾	90	120	80 ¹⁾	120	160	100 ¹⁾	150	200

¹⁾ Avoidance of continuous glow at operating voltage (reference voltage): avoid sharp-edged metal parts.

For dimensioning of clearances and tracking distances, reference voltages and insulation groups (A0...D) are taken as a basis.

Assignment of equipment to the **insulation groups** is defined in the relevant VDE specifications.

Classification is as follows:

- Insulation group A0** includes low-power equipment accommodated in air-conditioned or clean, dry rooms or protected by suitable measures and only heat to a negligible degree in the event of a short-circuit.
- Insulation group A** includes equipment accommodated in air-conditioned or clean, dry rooms or protected by suitable measures.
- Insulation group B** includes equipment in living-rooms, showrooms and other commercial rooms, light engineering workshops, laboratories, test bays, rooms for medical use, etc.
- Insulation group C** includes equipment mainly intended for use in industrial and commercial establishments and on farms, in unheated warehouses, workshops, boiler houses, machine tools, etc.

Insulation group D includes equipment for use in vehicles particularly exposed to brake dust and moisture (condensation water or snow) and cannot be adequately protected by encasing.

The tracking distances a and b for insulation groups B, C and D depend on the form of the tracking distances and tracking resistance of the insulating materials according to the values in table 7.

Minimum values for conductor spacings on printed board assemblies shown in table 8 depend on the reference voltage and environmental conditions.

Ambient condition groups:

Group 1:

No or only dry, non-conductive pollution occurs. The temperature and humidity range corresponds to the application class JQG according to DIN 40 040.

Group 2:

Only dry, non-conductive pollution occurs. The temperature and humidity range corresponds to the application class HQE according to DIN 40 040.

Table 7: Tracking resistance

Group	2	3	4
	Comparative tracking index ¹⁾ (Minimum value)	Tracking distance without rips	Tracking distance with rips (acc. §8a)
I	Minimum value KB 100	b	a + b 2
II	Minimum value KB 380	a + b 2	a
III	KB > 600	a	a

¹⁾ Levels of tracking resistance according to DIN 53480. VDE 0303, Part 1.

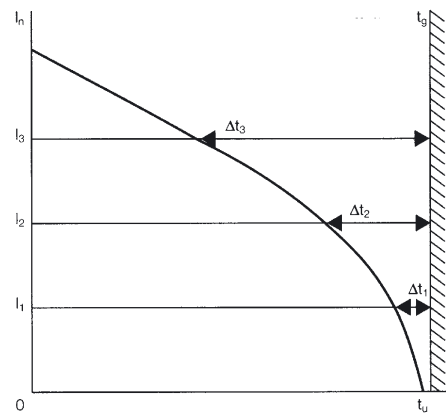
Table 8: Minimum values for conductor spacings depending on reference voltage and environmental conditions for heights up to 2000 m above mean sea level.

UB in V	Conductor spacings in mm for environmental condition				
	U _w ~	U _w =	Ü _{te}	Ü _{tr}	Group 1
12	15	45	90	0.1	0.1
30	36	108	216	0.1	0.1
60	75	225	450	0.1	0.1
125	150	450	900	0.15	0.24
250	300	900	1800	0.58	0.85
380	450	1350	2700	1.25	1.9

The largest required conductor spacing must be used.

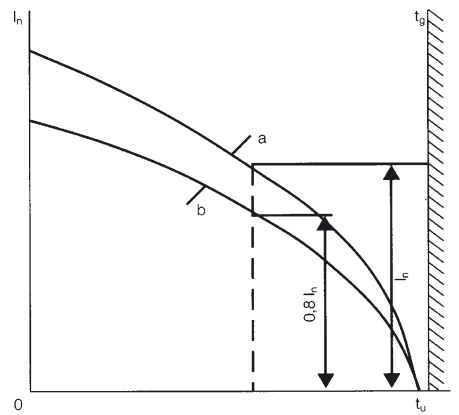
Current carrying curve
(Derating curve)

Base curve



t_g = upper temperature limit of component
 t_a = component ambient temperature
 I_n = load current

Derating curve



t_g = upper temperature limit of component
 t_a = component ambient temperature
 I_n = load current
 a = base curve
 b = reduced base curve (derating curve)

The **derating curve** shows the currents that are allowed to flow continuously across all possible connections simultaneously when the component is exposed to varying ambient temperatures below its upper temperature limit.

The **upper temperature limit** of a component is a rated value which is determined by the materials used. The sum of the ambient temperature and overtemperature (volume resistance dissipation) resulting from the current load must not exceed the upper temperature limit of the component in order not to damage or destroy the component. The current carrying capacity is therefore not a constant value, but decreases with increasing component ambient temperature and is also influenced by the component geometry, pole number and the connected conductors.

The current carrying capacity is empirically determined according to DIN 41640, Part 3. For this purpose, three component temperatures t_{b1} , t_{b2} ... and ambient temperatures t_{a1} , t_{a2} ... are measured for three different load currents I_{n1} , I_{n2} , ... The values are entered in a linear system of coordinates as shown in Figure 1, to display the relationships between the load currents, component ambient temperature and component overtemperatures.

On the ordinate, the **load currents** are referenced to the abscissa of the **ambient temperatures**. A vertical on the abscissa of the upper temperature limit t_g of the component concludes the system of coordinates.

For each current I_1 , I_2 , ... the associated mean of the component overtemperatures $\Delta t_1 = t_{b1} - t_{a1}$, $\Delta t_2 = t_{b2} - t_{a2}$ are entered starting from the vertical towards the left. The points found in this way are joined to form a parabolic shaped curve.

As it is virtually impossible to select for measurement components with maximum permissible volume resistances, the base curve must be reduced. Reduction of the load currents to 80% results in the **current carrying capacity**, in which the maximum permissible volume resistances and measurement uncertainties are considered in temperature measurements to such a degree that they are from experience sufficient for practical application. If the derating curve in the low ambient temperature range exceeds the current carrying capacity of the conductor cross-sections to be connected, the derating curve is limited in this range to the smaller current.

Series HA



Series HA

Series HA 3 - 48 pole Screw connection

- Screw clamp termination
- Pole numbers: 3, 4, 10, 16, 32, 48

Note:

The 3-pole connector is a 4-pole connector with 3 poles assembled;
32-pole connectors are composed of two 16-pole inserts numbered 1-16 and 17-36;
48-pole connectors are composed of three 16-pole inserts numbered 1-16, 17-32 and 33-48.

Series HA

Technical data

Series HA	
Standards	DIN VDE 0627 DIN VDE 0110
Approvals	
Inserts	
No. of poles	3, 4, 10, 16, 32, 48 (+ PE)
Rated current	
- 3 + 4 pole	10 A max.
- 10 - 48 pole	16 A max.
Insulation group	C
Rated voltage (VDE 110/1.89)	
- 3 + 4 pole	400 V
- 10 - 48 pole	250 V
Rated impulse voltage HA10, HA16	4 kV
Pollution degree HA10,HA16	3
Contact resistance HA3	10 ¹⁵ Ohmcm
Contact resistance HA4,HA10,HA16	10 ¹³ Ohmcm
Material	PC glass-fibre reinforced (UL listed)
Temperature range	-40° + 125° C
Flammability	
class acc. UL 94	V-0
Mechanical durability insertion frequency Ag	≤ 100
Rated voltage aa. UL / CSA	600 V
Connection method: HA - inserts	Screw connection

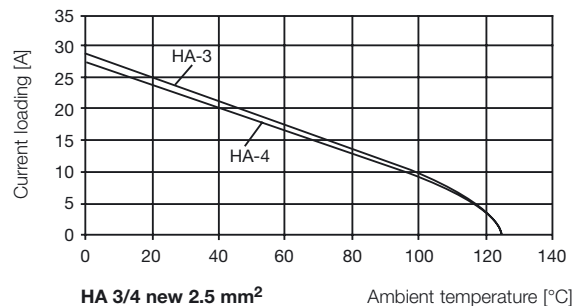
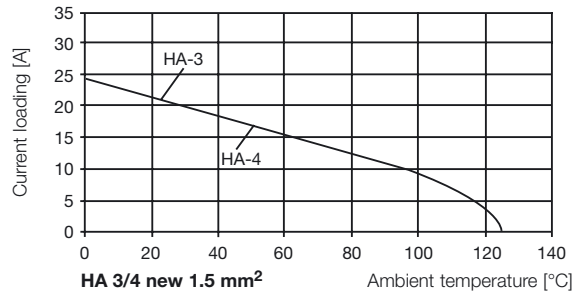
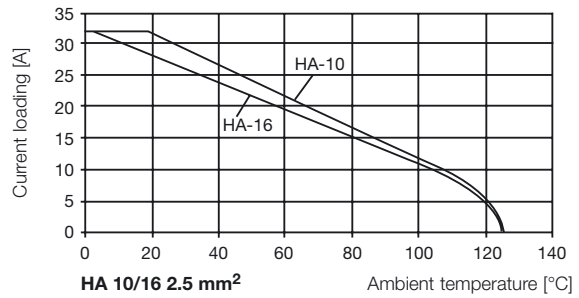
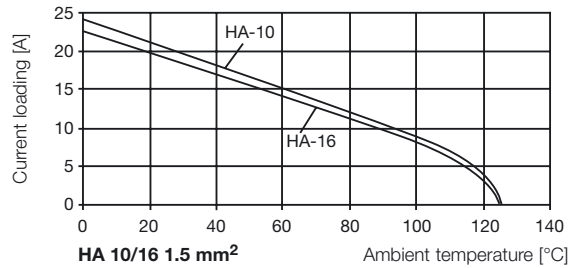
Contacts

Material	Copper alloy
Plating	3 mm Ag
Through resistance HA - inserts	≤1.5 - 4.0 mOhm
Clamping range	
mm ²	0.5 - 2.5
AWG	22 ... 14
Torque	0.5 Nm
Insulating stripping length	
3 + 4-pole	6.0 mm
10 - 48-pole	7.0 mm

Hoods and Housing

Material	
Group size 1	Die cast zinc / thermoplastic
Group size 2 -12	Aluminium die cast AL-Si 12
Flammability class acc. UL 94 (Group size 1 in thermoplastic)	V-0
Surface	Powder coating, grey
Locking	
- Standard	Steel, zinc plated
Gasket	NBR
Temperature range	-40° + 125° C
Protection class i.a.w DIN when locked	
3 + 4-pole	IP 54
10 - 48-pole	IP 65

Derating curves



Inserts Group Size 1

New

New

Screw connection HA-3

3-pole + PE

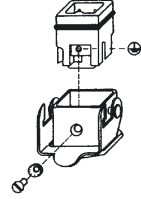
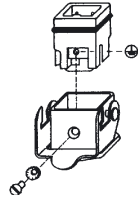
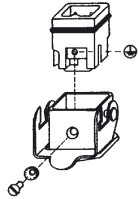
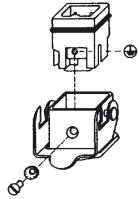
400 V-/max. 10 A

Screw connection HA-4

4-pole + PE

400 V-/max. 10 A

Series HA



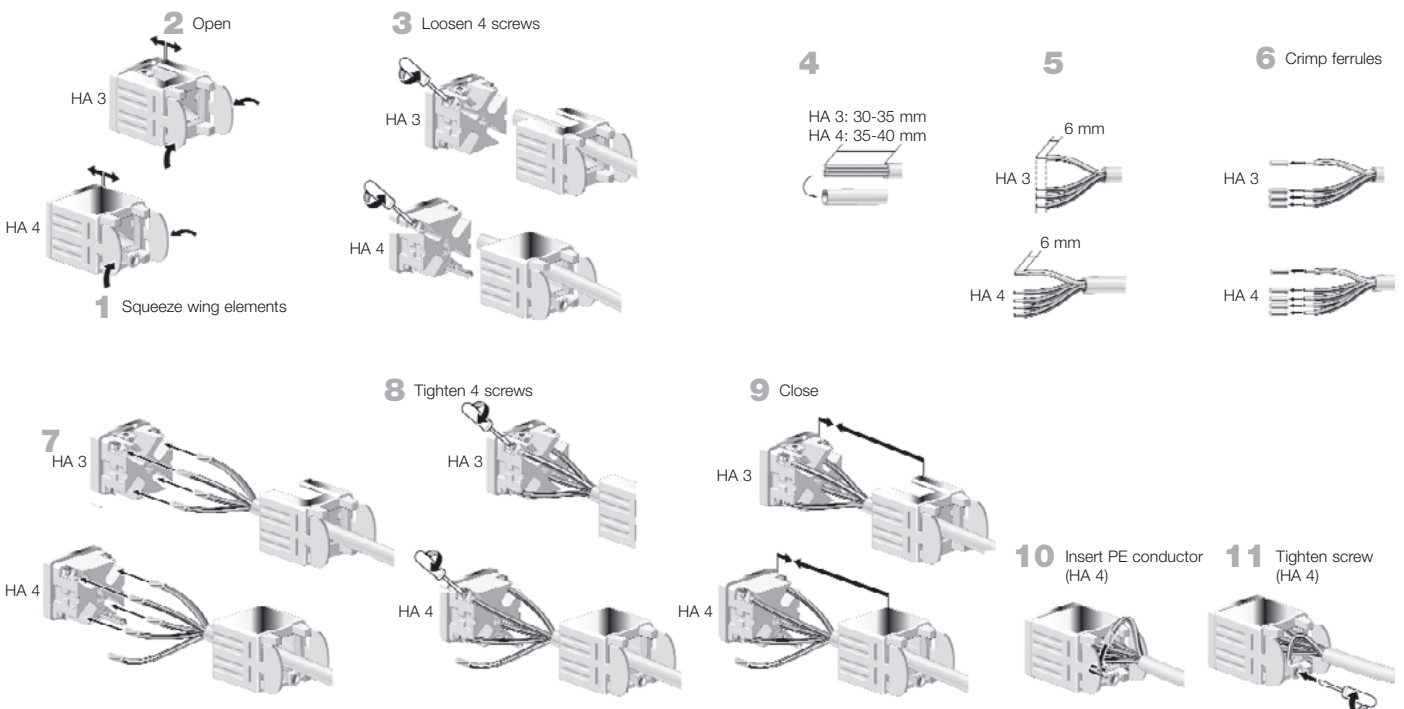
Version	Type	Cat. No.	Qty.
Male	HDC-HA-3SS	1498100000	10
Female	HDC-HA-3BS	1498200000	10

Version	Type	Cat. No.	Qty.
Male	HDC-HA-4SS	1498300000	10
Female	HDC-HA-4BS	1498400000	10

For accessories see section "Accessories"

For accessories see section "Accessories"

Mounting instructions HA-3 and HA-4 male / female inserts



Housings Group Size 1

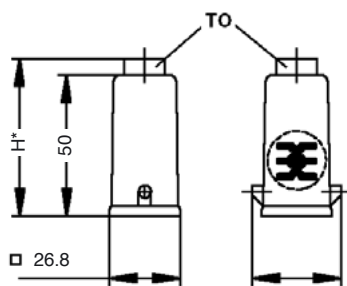
Plug hood HA-3/HAD-7

End locking / lower side



TOVL

Dimensions



H* M = 50
PG, Metal = 57
PG, Plastic = 62

HAD=36
HA=33.5

Version	Type	Cat. No.	Qty.
Plastic housing, metric thread			
1 x M 20 thread	HDC HAD7 TOVL 1xM20G	1788520000	10
Plastic housing, PG thread			
1 x Pg 11 complete	HDC-HAD-7-TOVL1/11P	1652370000	10
1 x Pg 11 sleeve	HDC-HAD-7-TOVL1/11	1652380000	10
Metal housing, metric thread			
1 x M 20 thread	HDC HA3 TOVL 1xM20G	1788820000	10
Metal housing, PG thread			
1 x Pg 11 complete	HDC-HA-3-TOVL1/11P	1498500000	10
1 x Pg 11 sleeve	HDC-HA-3-TOVL1/11	1652470000	10

TOVL = Plug hood; Top cable entry, end locking
HAD-7 = Plastic housing
HA-3 = Metal housing

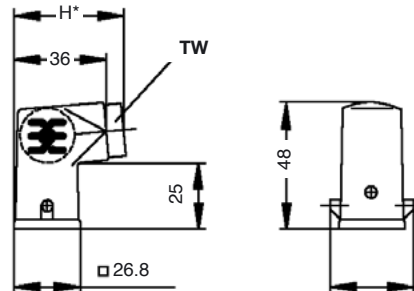
Plug hood HA-3/HAD-7

End locking / lower side



TWVL

Dimensions



H* M = 36
PG, Metal = 43
PG, Plastic = 48

HAD=36
HA=33.5

Version	Type	Cat. No.	Qty.
Plastic housing, metric thread			
1 x M 20 thread	HDC HAD7 TWVL 1xM20G	1788510000	10
Plastic housing, PG thread			
1 x Pg 11 complete	HDC-HAD-7-TWVL1/11P	1652390000	10
1 x Pg 11 sleeve	HDC-HAD-7-TWVL1/11	1652400000	10
Metal housing, metric thread			
1 x M 20 thread	HDC HA3 TWVL 1xM20G	1788810000	10
Metal housing, PG thread			
1 x Pg 11 complete	HDC-HA-3-TWVL1/11P	1498600000	10
1 x Pg 11 sleeve	HDC-HA-3-TWVL1/11	1652480000	10

TWVL = Plug hood angled, end locking
HAD-7 = Plastic housing
HA-3 = Metal housing

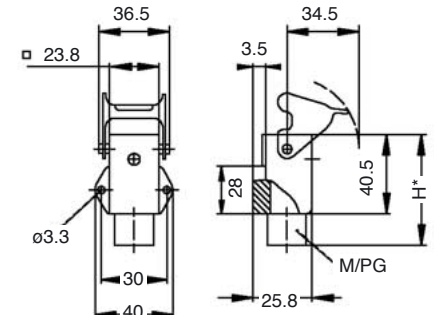
Base housing HA-3/HAD-7

End locking



SVL

Dimensions



H* M = 40.5
PG, Metal = 57
PG, Plastic = 62

Version	Type	Cat. No.	Qty.
Plastic housing, metric thread			
1 x M 20 thread	HDC HAD7 SVL 1xM20G	1788530000	10
Plastic housing, PG thread			
1 x Pg 11 complete	HDC-HAD-7-SVL1/11P	1652430000	10
1 x Pg 11 sleeve	HDC-HAD-7-SVL1/11	1652440000	10
Metal housing, metric thread			
1 x M 20 sleeve	HDC HA3 SVL 1xM20	1788830000	10
Metal housing, PG thread			
1 x Pg 11 complete	HDC-HA-3-SVL1/11P	1497800000	10
1 x Pg 11 sleeve	HDC-HA-3-SVL1/11	1652490000	10

SVL = Base housing, end locking
HAD-7 = Plastic housing
HA-3 = Metal housing

For accessories see section "Accessories"

Housings Group Size 1

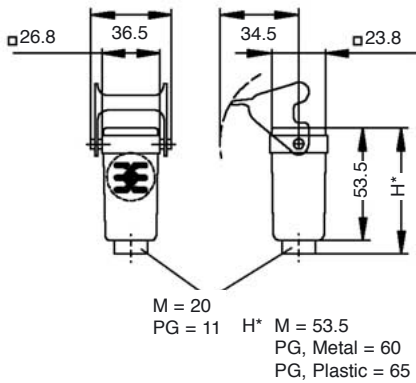
Coupling hood HA-3/HAD-7

End locking



KVL

Dimensions



Version	Type	Cat. No.	Qty.
Plastic housing, metric thread			
1 x M 20 thread	HDC HAD7 KVL 1xM20G	1788540000	10
Plastic housing, PG thread			
1 x Pg 11 complete	HDC-HAD-7-KVL1/11P	1652450000	10
1 x Pg 11 sleeve	HDC-HAD-7-KVL1/11	1652460000	10
Metal housing, metric thread			
1 x M 20 thread	HDC HA3 KVL 1xM20G	1788840000	10
Metal housing, PG thread			
1 x Pg 11 complete	HDC-HA-3-KVL1/11P	1497900000	10
1 x Pg 11 sleeve	HDC-HA-3-KVL1/11	1652500000	10

KVL = Coupling hood, end locking
HAD-7 = Plastic housing
HA-3 = Metal housing

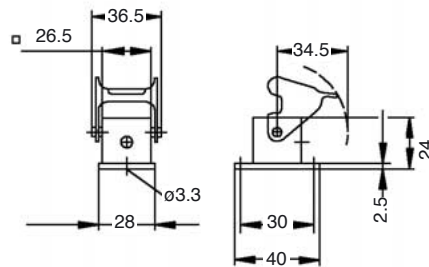
Bulkhead housing HA-3/HAD-7

End locking



AVL

Dimensions



Version	Type	Cat. No.	Qty.
Plastic housing			
	HDC-HAD-7-AVL	1652410000	10
Metal housing			
	HDC-HA-3-AVL	1497600000	10

AVL = Bulkhead housing, end locking
HAD-7 = Plastic housing
HA-3 = Metal housing

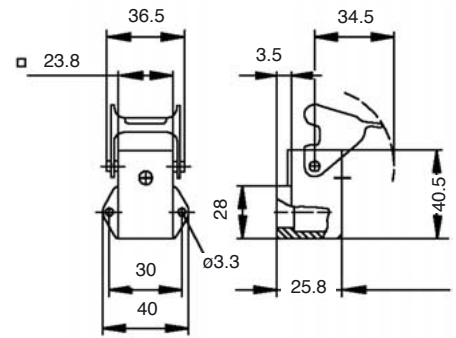
Bulkhead housing angled HA-3/HAD-7

End locking



AWL

Dimensions

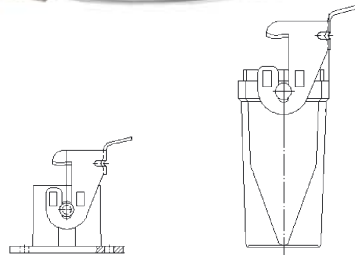


Version	Type	Cat. No.	Qty.
Plastic housing			
	HDC-HAD-7-AWVL	1652420000	10
Metal housing			
	HDC-HA-3-AWVL	1497700000	10

AWL = Bulkhead housing angled, end locking
HAD-7 = Plastic housing
HA-3 = Metal housing

Cover for housings with end locking

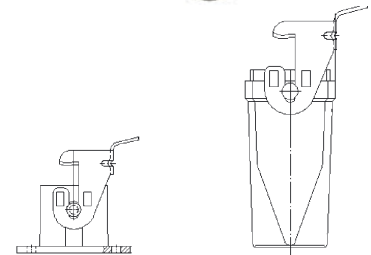
Plastic / Cover with cord



Version / Type	Cat. No.	Qty.
Plastic cover		
HDC-HA-3-KDBF-S	1665760000	10
HDC-HA-3-KDBF-B	1665770000	10

S = Cover without sealing when using male inserts
B = Cover without sealing when using female inserts

Metal / Cover with cord



Version / Type	Cat. No.	Qty.
Metal cover		
HDC-HA-3-MDBF-S	1665740000	10
HDC-HA-3-MDBF-B	1665750000	10

S = Cover without sealing when using male inserts
B = Cover without sealing when using female inserts

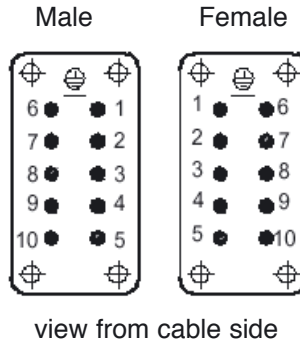
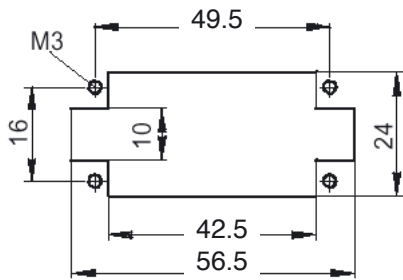
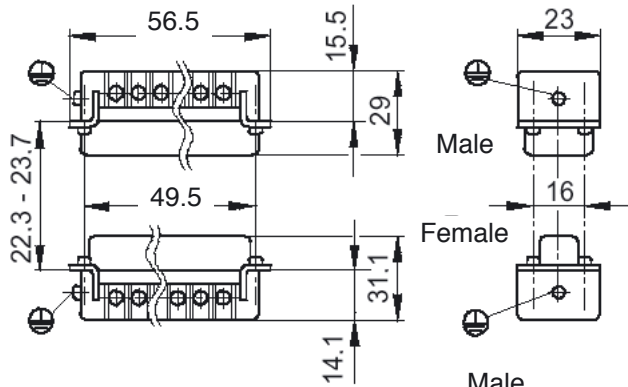
For accessories see section "Accessories"

Inserts Group Size 2

Screw connection HA-10

10-pole

250 V-/max 16 A



Housings Group Size 2

Plug hood HA-10

End locking / lower side

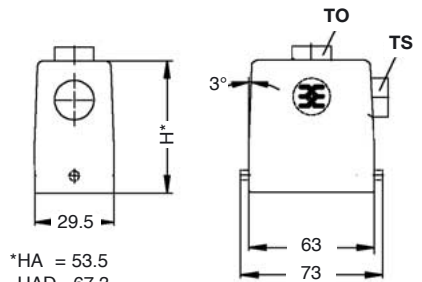


TOVL



TSVL

Dimensions



*HA = 53.5
HAD = 67.3

Version	Type	Cat. No.	Qty.
Male	HDC-HA-10SS	1650610000	5
Female	HDC-HA-10BS	1650620000	5

Version	Type	Cat. No.	Qty.
---------	------	----------	------

Standard housing, metric thread

1 x M 20 thread	HDC HA10 TOVL 1xM20G	1788620000	5
1 x M 25 thread	HDC HA10 TOVL 1xM25G	1788610000	5
1 x M 20 sleeve	HDC HA10 TSVL 1xM20	1788600000	5
1 x M 25 sleeve	HDC HA10 TSVL 1xM25	1788590000	5
1 x M 20 thread	HDC HAD15 TOVL 1xM20G	1788880000	5
1 x M 25 thread	HDC HAD15 TOVL 1xM25G	1788870000	5
1 x M 20 thread	HDC HAD15 TSVL 1xM20G	1788860000	5
1 x M 25 thread	HDC HAD15 TSVL 1xM25G	1788850000	5

Standard housing , PG thread

1 x Pg16 complete	HDC-HA-10-TOVL1/16P	1663920000	5
1 x Pg16 sleeve	HDC-HA-10-TOVL1/16	1663930000	5
1 x Pg16 complete	HDC-HA-10-TSVL1/16P	1663800000	5
1 x Pg16 sleeve	HDC-HA-10-TSVL1/16	1663810000	5
1 x Pg16 complete	HDC-HAD-15-TOVL1/16P	1663960000	5
1 x Pg21 complete	HDC-HAD-15-TOVL1/21P	1663980000	5
1 x Pg21 sleeve	HDC-HAD-15-TOVL1/21	1663990000	5
1 x Pg16 complete	HDC-HAD-15-TSVL1/16P	1663840000	5
1 x Pg16 sleeve	HDC-HAD-15-TSVL1/16	1663850000	5
1 x Pg21 complete	HDC-HAD-15-TSVL1/21P	1663860000	5
1 x Pg21 sleeve	HDC-HAD-15-TSVL1/21	1663870000	5

TOVL = Plug hood; Top cable entry, end locking

TSVL = Plug hood; Side cable entry, end locking

For accessories see section "Accessories"

Housings Group Size 2

Base housing HA-10

End locking / with/without cover

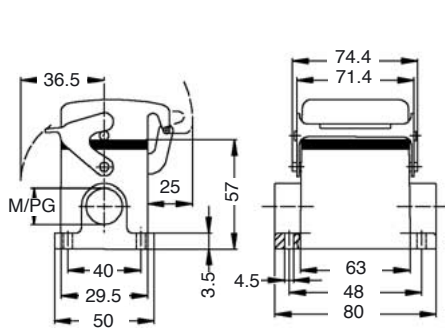


SVL



SDVL

Dimensions



Version	Type	Cat. No.	Qty.
Standard housing, metric thread			
2 x M 20 thread	HDC HA10 SVL 2xM20G	1788640000	5
2 x M 25 thread	HDC HA10 SVL 2xM25G	1788630000	5
Standard housing with cover, metric thread			
2 x M 20 thread	HDC HA10 SDVL 2xM20G	1788660000	5
2 x M 25 thread	HDC HA10 SDVL 2xM25G	1788650000	5
Standard housing, PG thread			
1 x Pg16 complete	HDC-HA-10-SVL1/16P	1664160000	5
1 x Pg16 sleeve	HDC-HA-10-SVL1/16	1664170000	5
1 x Pg21 complete	HDC-HA-10-SVL1/21P	1664200000	5
1 x Pg21 sleeve	HDC-HA-10-SVL1/21	1664210000	5
2 x Pg16 complete	HDC-HA-10-SVL2/16P	1664180000	5
2 x Pg16 sleeve	HDC-HA-10-SVL2/16	1664190000	5
Standard housing with cover, PG thread			
1 x Pg16 complete	HDC-HA-10-SDVL1/16P	1664400000	5
1 x Pg16 sleeve	HDC-HA-10-SDVL1/16	1664410000	5
2 x Pg16 complete	HDC-HA-10-SDVL2/16P	1664420000	5

SVL = Base housing, end locking
SDVL = Base housing with cover, end locking

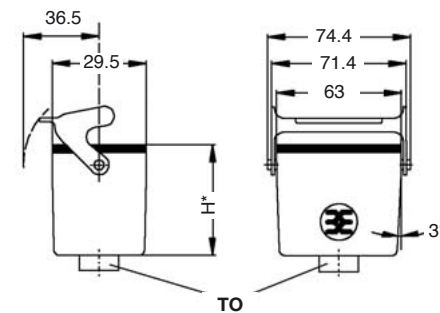
Coupling hood HA-10 / HAD-15

End locking



KVL

Dimensions



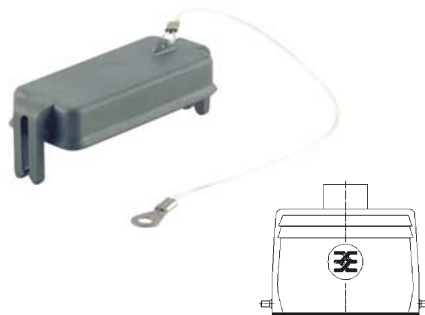
*HA = 48
HAD= 62

Version	Type	Cat. No.	Qty.
Standard housing, metric thread			
1 x M 25 thread	HDC HA10 KVL 1xM25G	1788670000	5
1 x M 25 thread	HDC HAD15 KVL 1xM25G	1788890000	2
Standard housing, PG thread			
1 x Pg16 complete	HDC-HA-10-KVL1/16P	1664560000	5
1 x Pg21 complete	HDC-HAD-15-KVL1/21P	1664620000	2
1 x Pg21 sleeve	HDC-HAD-15-KVL1/21	1664630000	2

KVL = Coupling hood, end locking

Cover for plug hood

Cover with cord



Version / Type	Cat. No.	Qty.
Plastic cover		
HDC-HA-10-KDF	1665890000	5

Bulkhead housing HA-10

End locking / with/without cover

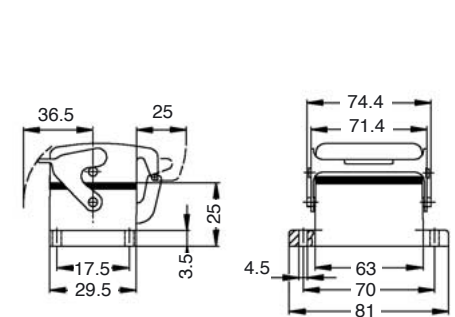


AVL



ADVL

Dimensions

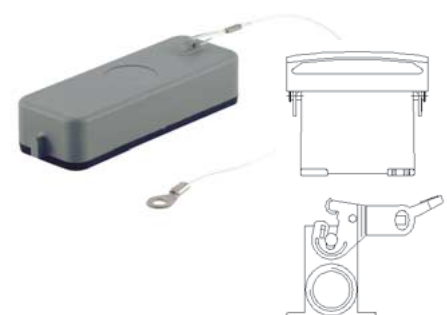


Version	Type	Cat. No.	Qty.
Standard housing			
	HDC-HA-10-AVL	1664040000	5
Standard housing with cover			
	HDC-HA-10-ADVL	1664060000	5

ADVL = Bulkhead housing with cover, end locking
AVL = Bulkhead housing, end locking

Cover for housings with end locking

Cover with cord



Version / Type	Cat. No.	Qty.
Plastic cover		
HDC-HA-10-KDBF	1665880000	5

For accessories see section "Accessories"

Inserts Group Size 5

Housings Group Size 5

Screw connection HA-16

Plug hood HA-16 / HAD-25

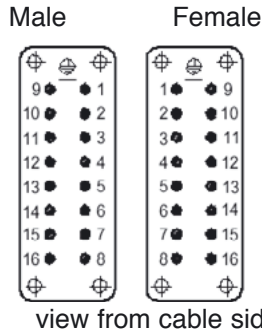
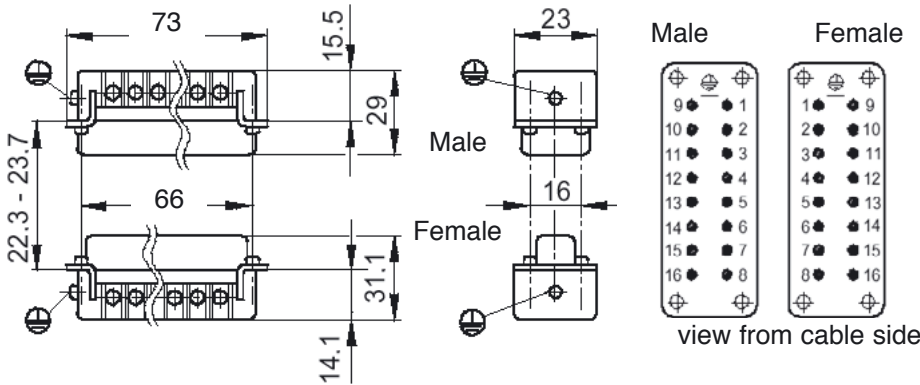
16-pole

250 V-/max 16 A

End locking / lower side

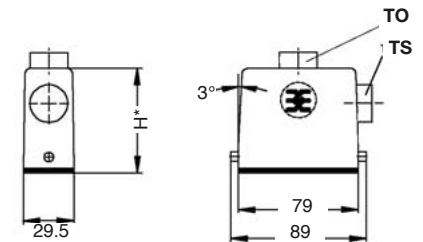


TOVL



TSVL

Dimensions



*HA = 58.3
HAD= 72.3

Version	Type	Cat. No.	Qty.
Male	HDC-HA-16SS	1650770000	5
Female	HDC-HA-16BS	1650780000	5

Version	Type	Cat. No.	Qty.
---------	------	----------	------

Standard housing, metric thread

1 x M 20 thread	HDC HA16 TOVL 1xM20G	1804680000	5
1 x M 25 thread	HDC HA16 TOVL 1xM25G	1788750000	5
1 x M 20 sleeve	HDC HA16 TSVL 1xM20	1804620000	5
1 x M 25 sleeve	HDC HA16 TSVL 1xM25	1788740000	5
1 x M 20 thread	HDC HAD25 TOVL 1xM20G	1788710000	5
1 x M 25 thread	HDC HAD25 TOVL 1xM25G	1788700000	5
1 x M 25 thread	HDC HAD25 TSVL 1xM25G	1788690000	5
1 x M 32 thread	HDC HAD25 TSVL 1xM32G	1788680000	5

Standard housing, PG thread

1 x Pg16 complete	HDC-HA-16-TOVL1/16P	1664800000	5
1 x Pg16 sleeve	HDC-HA-16-TOVL1/16	1664810000	5
1 x Pg16 complete	HDC-HA-16-TSVL1/16P	1664680000	5
1 x Pg16 sleeve	HDC-HA-16-TSVL1/16	1664690000	5
1 x Pg16 complete	HDC-HAD-25-TOVL1/16P	1664840000	5
1 x Pg16 sleeve	HDC-HAD-25-TOVL1/16	1664850000	5
1 x Pg21 complete	HDC-HAD-25-TOVL1/21P	1664860000	5
1 x Pg21 sleeve	HDC-HAD-25-TOVL1/21	1664870000	5
1 x Pg16 complete	HDC-HAD-25-TSVL1/16P	1664720000	5
1 x Pg16 sleeve	HDC-HAD-25-TSVL1/16	1664730000	5
1 x Pg21 complete	HDC-HAD-25-TSVL1/21P	1664740000	5
1 x Pg21 sleeve	HDC-HAD-25-TSVL1/21	1664750000	5

TOVL = Plug hood; Top cable entry, end locking

TSVL = Plug hood; Side cable entry, end locking

For accessories see section "Accessories"

Housings Group Size 5

Base housing HA-16

End locking, with/without Cover

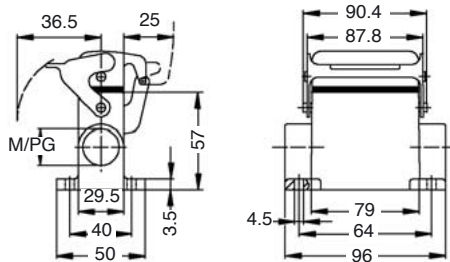


SVL



SDVL

Dimensions



Version	Type	Cat. No.	Qty.
Standard housing, metric thread			
2 x M 20 thread	HDC HA16 SVL 2xM20G	1788770000	2
2 x M 25 thread	HDC HA16 SVL 2xM25G	1788760000	2
Standard housing with cover, metric thread			
2 x M 20 thread	HDC HA16 SDVL 2xM20G	1788790000	2
2 x M 25 thread	HDC HA16 SDVL 2xM25G	1788780000	2
Standard housing, PG thread			
1 x Pg16 complete	HDC-HA-16-SVL1/16P	1665040000	2
1 x Pg16 sleeve	HDC-HA-16-SVL1/16	1665050000	2
1 x Pg21 complete	HDC-HA-16-SVL1/21P	1665080000	2
1 x Pg21 sleeve	HDC-HA-16-SVL1/21	1665090000	2
2 x Pg16 complete	HDC-HA-16-SVL2/16P	1665060000	2
2 x Pg16 sleeve	HDC-HA-16-SVL2/16	1665070000	2
2 x Pg21 complete	HDC-HA-16-SVL2/21P	1665100000	2
Standard housing with cover, PG thread			
1 x Pg16 complete	HDC-HA-16-SDVL1/16P	1665280000	2
2 x Pg16 complete	HDC-HA-16-SDVL2/16P	1665300000	2

SVL = Base housing, end locking
SDVL = Base housing with cover, end locking

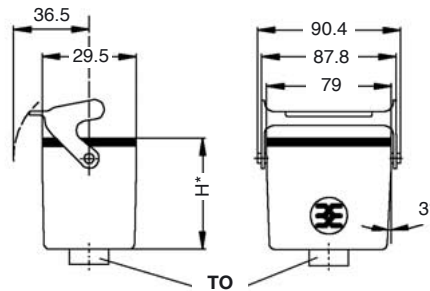
Coupling hood HA-16 / HAD-25

End locking



KVL

Dimensions



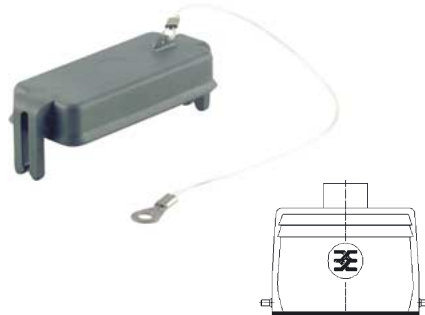
*HA = 53
HAD= 67

Version	Type	Cat. No.	Qty.
Standard housing, metric thread			
1 x M 25 thread	HDC HA16 KVL 1xM25G	1788800000	5
1 x M 20 thread	HDC HAD25 KVL 1xM20G	1788730000	2
1 x M 25 thread	HDC HAD25 KVL 1xM25G	1788720000	2
Standard housing, PG thread			
1 x Pg16 complete	HDC-HA-16-KVL1/16P	1665440000	5
1 x Pg16 sleeve	HDC-HA-16-KVL1/16	1665450000	5
1 x Pg16 complete	HDC-HAD-25-KVL1/16P	1665480000	2
1 x Pg21 complete	HDC-HAD-25-KVL1/21P	1665500000	2

KVL = Coupling hood, end locking

Cover for plug hood

Cover with cord



Type	Cat. No.	Qty.
Plastic cover		
HDC-HA-16-KDF	1665910000	5

Bulkhead housing HA-16

End locking / with/without Cover

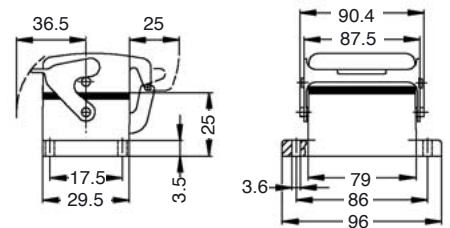


AVL



ADVL

Dimensions



Version	Type	Cat. No.	Qty.
Standard housing			
	HDC-HA-16-AVL	1664920000	5
Standard housing with cover			
	HDC-HA-16-ADVL	1664940000	5

AVL = Bulkhead housing, end locking

ADVL = Bulkhead housing with cover, end locking

Cover for housings with end locking

Cover with cord



Type	Cat. No.	Qty.
Plastic cover		
HDC-HA-16-KDBF	1665900000	5

For accessories see section "Accessories"

Housings Group Size 7

Base housing HA-32

Side locking



SVU

Coupling hood HA-32

Side locking



KVV

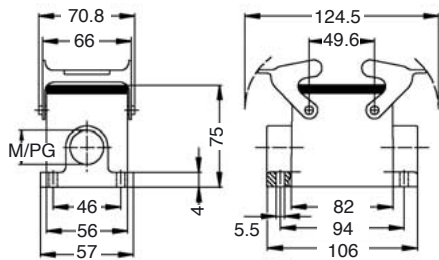
Bulkhead housing HA-32

Side locking

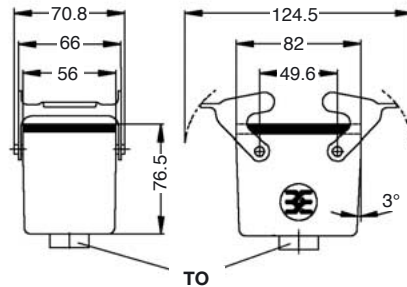


AVU

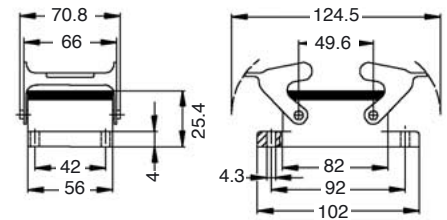
Dimensions



Dimensions



Dimensions



Version	Type	Cat. No.	Qty.
Standard housing, metric thread			
2 x M 25 thread	HDC HA32 SVU 2xM25G	1788040000	2
2 x M 32 thread	HDC HA32 SVU 2xM32G	1788030000	2
Standard housing, PG thread			
1 x Pg21 complete	HDC-HA-32-SVU1/21P	1665960000	2
1 x Pg29 complete	HDC-HA-32-SVU1/29P	1666000000	2
1 x Pg29 sleeve	HDC-HA-32-SVU1/29	1666010000	2
2 x Pg21 complete	HDC-HA-32-SVU2/21P	1665980000	2
2 x Pg29 complete	HDC-HA-32-SVU2/29P	1666020000	2

Version	Type	Cat. No.	Qty.
Standard housing, metric thread			
1 x M 25 thread	HDC HA32 KVV 1xM25G	1788080000	2
1 x M 32 thread	HDC HA32 KVV 1xM32G	1788070000	2
Standard housing, PG thread			
1 x Pg21 complete	HDC-HA-32-KVV1/21P	1666120000	2
1 x Pg29 complete	HDC-HA-32-KVV1/29P	1666140000	2

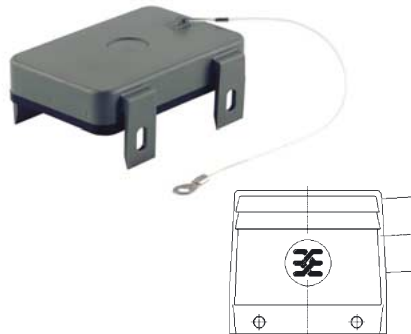
KVV = Coupling hood, side locking

Version	Type	Cat. No.	Qty.
Standard housing			
	HDC-HA-32-AVU	1665860000	2

AVU = Bulkhead housing, side locking / lower side

Cover for plug hood

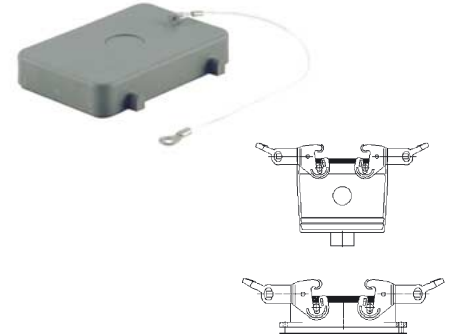
Cover with cord



Type	Cat. No.	Qty.
Plastic cover		
HDC-HA-32-KDF	1665930000	2

Cover for housings with side locking

Cover with cord



Type	Cat. No.	Qty.
Plastic cover		
HDC-HA-32-KDBF	1665920000	2

SVU = Base housing, side locking / lower side

For accessories see section "Accessories"

Housings Group Size 7

Plug hood HA-32

Side locking / upper side



TOVO



TSVO

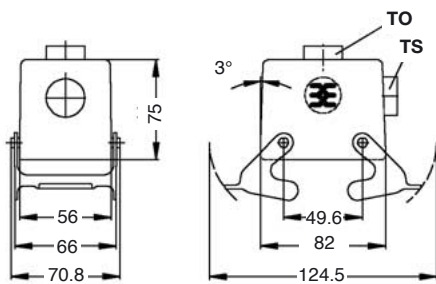
Base housing HA-32

Side locking / upper side

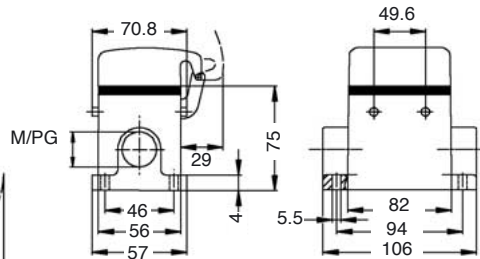


SDVO

Dimensions



Dimensions



Version	Type	Cat. No.	Qty.
Standard housing, metric thread			
1 x M 25 thread	HDC HA32 TOVO 1xM25G	1788020000	2
1 x M 32 thread	HDC HA32 TOVO 1xM32G	1788010000	2
1 x M 25 thread	HDC HA32 TSVO 1xM25G	1787980000	2
1 x M 32 thread	HDC HA32 TSVO 1xM32G	1787970000	2
Standard housing, PG thread			
1 x Pg21 complete	HDC-HA-32-TOVO1/21P	1666360000	2
1 x Pg29 complete	HDC-HA-32-TOVO1/29P	1666380000	2
1 x Pg21 complete	HDC-HA-32-TSVO1/21P	1666240000	2
1 x Pg29 complete	HDC-HA-32-TSVO1/29P	1666260000	2
1 x Pg29 sleeve	HDC-HA-32-TSVO1/29	1666270000	2

Version	Type	Cat. No.	Qty.
Standard housing with cover, metric thread			
2 x M 25 thread	HDC HA32 SDVO 2xM25G	1788060000	2
2 x M 32 thread	HDC HA32 SDVO 2xM32G	1788050000	2
Standard housing with cover, PG thread			
1 x Pg21 complete	HDC-HA-32-SDVO1/21P	1666540000	2
1 x Pg21 sleeve	HDC-HA-32-SDVO1/21	1666550000	2
1 x Pg29 sleeve	HDC-HA-32-SDVO1/29	1666590000	2

TOVO = Plug hood; Top cable entry, side locking
 TSVO = Plug hood; Side cable entry, side locking

SDVO = Base housing with cover, side locking / upper side

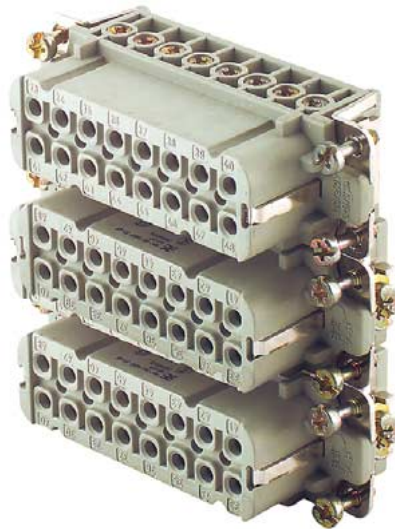
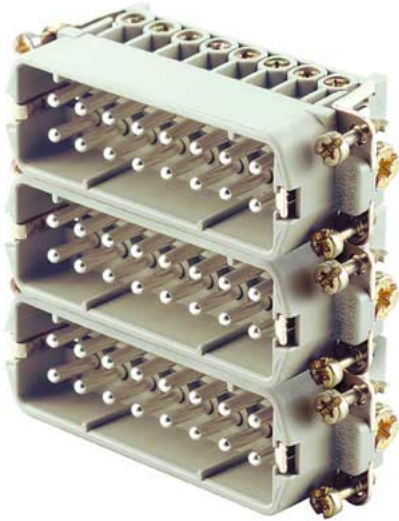
For accessories see section "Accessories"

Inserts Group Size 9

Screw connection HA-48

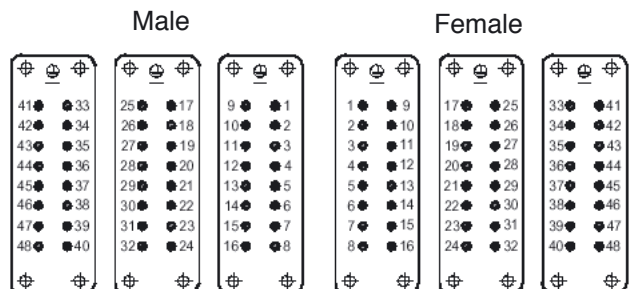
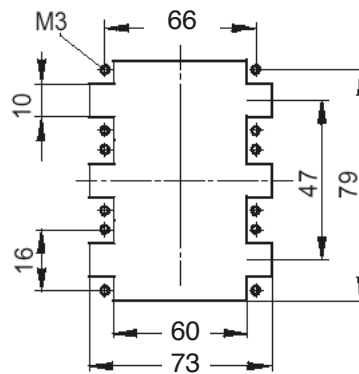
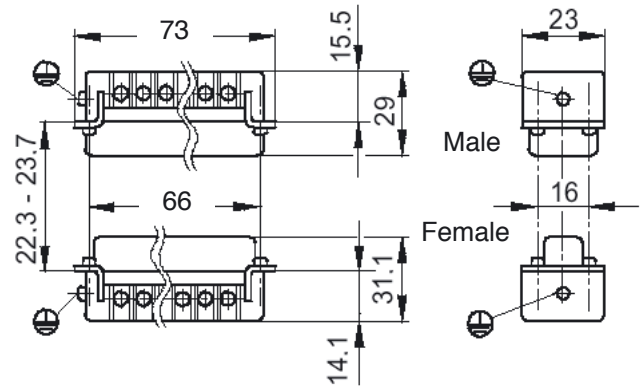
48-pole

250 V-/300 V-/max 16 A



Version	Type	Cat. No.	Qty.
Male	HDC-HA-16SS	1650770000	5
Male	HDC-HA-16SS 17-32	1650880000	5
Male	HDC-HA-16SS 33-48	1650990000	5
Female	HDC-HA-16BS	1650780000	5
Female	HDC-HA-16BS 17-32	1650900000	5
Female	HDC-HA-16BS 33-48	1651020000	5

Please order two inserts per housing



view from cable side

For accessories see section "Accessories"

Housings Group Size 9

Plug hood HA-48

End locking / lower side

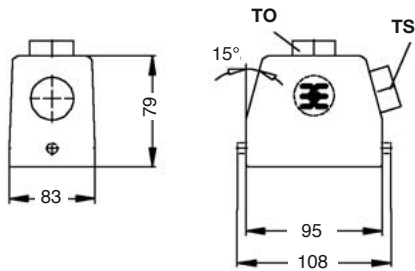


TOVL



TSVL

Dimensions



Version	Type	Cat. No.	Qty.
Standard housing, metric thread			
1 x M 32 thread	HDC HA48 TOVL 1xM32G	1788560000	1
1 x M 32 thread	HDC HA48 TSVL 1xM32G	1788550000	1
Standard housing, PG thread			
1 x Pg29 complete	HDC-HA-48-TOVL1/29P	1666720000	1
1 x Pg29 sleeve	HDC-HA-48-TOVL1/29	1666730000	1
1 x Pg29 complete	HDC-HA-48-TSVL1/29P	1666700000	1
1 x Pg29 sleeve	HDC-HA-48-TSVL1/29	1666710000	1

TOVL = Plug hood; Top cable entry, end locking / lower side
TSVL = Plug hood; Side cable entry, end locking / lower side

Base housing HA-48

End locking / with cover

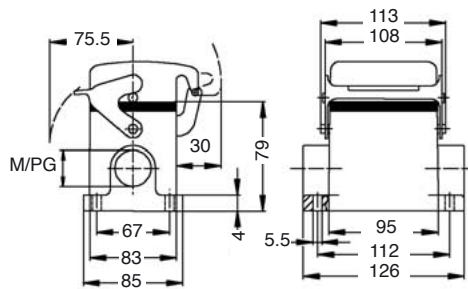


SVL



SDVL

Dimensions



Version	Type	Cat. No.	Qty.
Standard housing, metric thread			
2 x M 32 thread	HDC HA48 SVL 2xM32G	1788570000	1
Standard housing with cover, metric thread			
2 x M 32 thread	HDC HA48 SDVL 2xM32G	1788580000	1
Standard housing, PG thread			
1 x Pg29 complete	HDC-HA-48-SVL1/29P	1666760000	1
1 x Pg29 sleeve	HDC-HA-48-SVL1/29	1666770000	1
2 x Pg29 complete	HDC-HA-48-SVL2/29P	1666780000	1
Standard housing with cover, PG thread			
1 x Pg29 complete	HDC-HA-48-SDVL1/29P	1666800000	1
1 x Pg29 sleeve	HDC-HA-48-SDVL1/29	1666810000	1
2 x Pg29 complete	HDC-HA-48-SDVL2/29P	1666820000	1
2 x Pg29 sleeve	HDC-HA-48-SDVL2/29	1666830000	1

SVL = Base housing, end locking
SDVL = Base housing with cover, end locking

Bulkhead housing HA-48

End locking / with cover

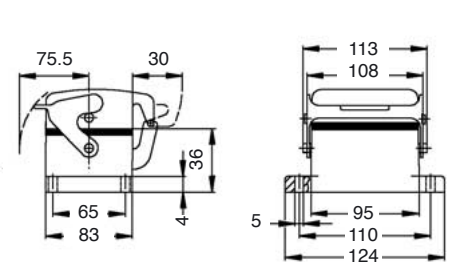


AVL



ADVL

Dimensions

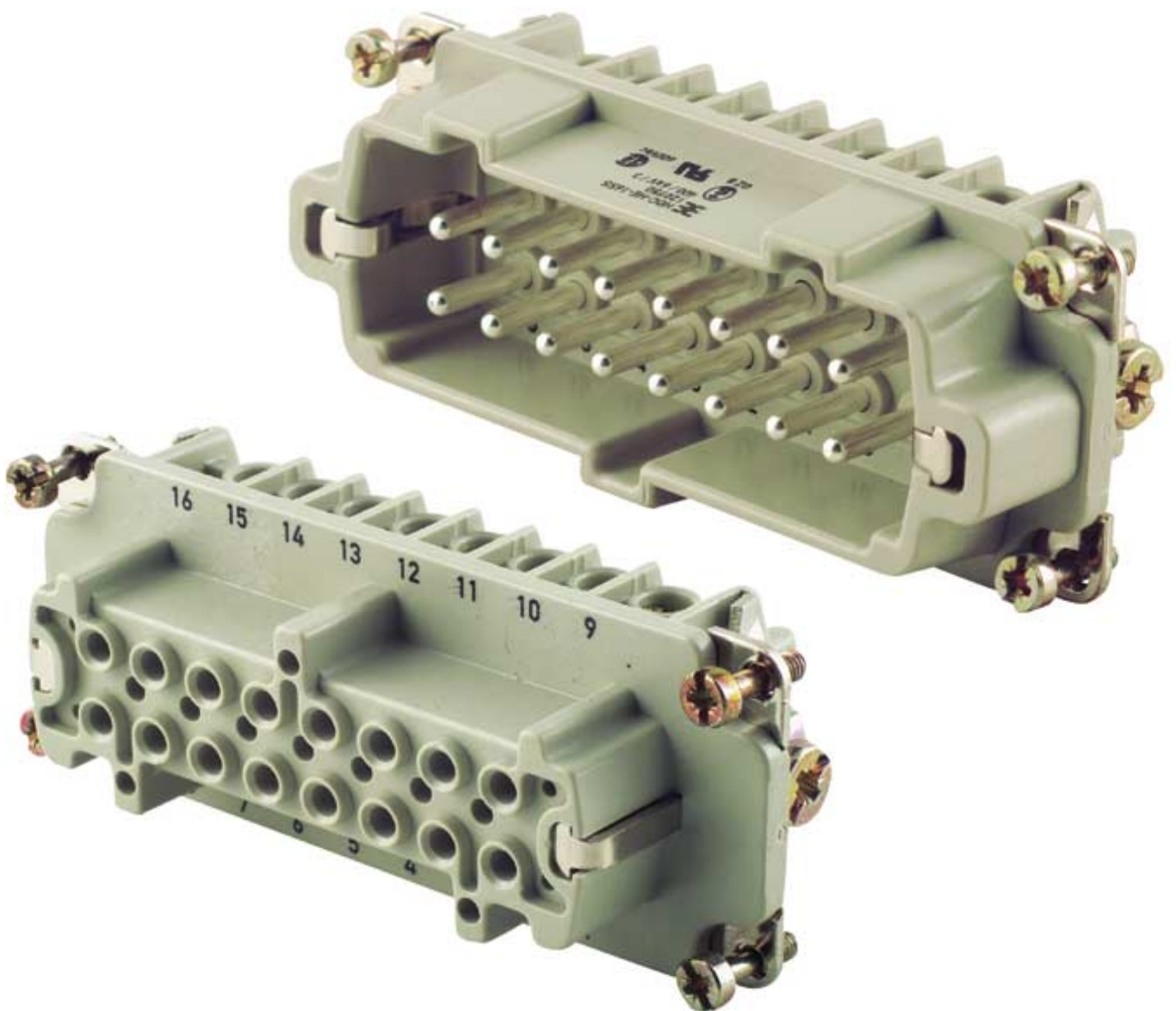


Version	Type	Cat. No.	Qty.
Standard housing			
sleeve	HDC-HA-48-AVL	1666740000	1
Standard housing with cover			
sleeve	HDC-HA-48-ADVL	1666750000	1

AVL = Bulkhead housing, end locking
ADVL = Bulkhead housing with cover, end locking

For accessories see section "Accessories"

Series HE



Series HE

Series HE 6 - 48 poles Screw-/tension clamp or crimp termination

- Screw/tension clamp,
or crimp termination
- Pole numbers: 6, 10, 16, 24, 32, 48

Note:

32-pole connectors are composed of two
16-pole inserts numbered 1-16
and 17-32;

48-pole connectors are composed of
two 24-pole inserts numbered 1-24
and 25-48.

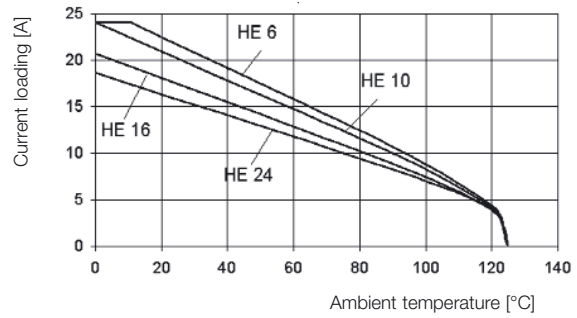
Series HE

Technical data

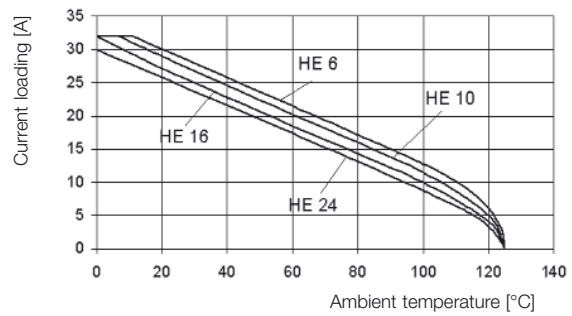
Series HE

Standards	DIN VDE 0627
	DIN VDE 0110
Approvals	
Inserts	
No. of poles	6, 10, 16, 24, 32, 48 (+PE)
Rated current - HE - inserts	16 A max.
Rated voltage (VDE 110/1.89)	500 V
Rated impulse voltage	6 kV
Pollution degree	3
Insulation resistance	10 ¹⁰ Ohm
Material	HE-screw/crimp PC glass-fibre reinforced HE tension clamp PA glass-fibre reinforced
Temperature range	-40° + 125° C
Flammability class acc. UL 94	HE screw/crimp V-0; HE tension clamp HB
Mechanical durability	
- Insertion frequency Ag	≤ 100
- Insertion frequency Au	≤ 500
Rated voltage - acc. UL / CSA	600 V ~
Connection method:	
- HE - inserts	Screw / crimp / tension
Insulating stripping lengthh	
- HE - inserts	
- Screw connection	7.0 mm
- Tension clamp connection	7.0 mm
- Crimp connection	7.5 mm
Contacts	
Material	Copper alloy
Plating	
- Screw clamp	3 µm Ag
- Tension clamp	3 µm Ag
- Crimp	3 µm Ag or 0.8 µm Au over 2 µm Ni
Through resistance	
- Screw clamp	< 2 mOhm
- Tension clamp	1.5 - 4.0 mOhm
- Crimp	< 2 mOhm
Crimp connection	
- mm ²	0.5 - 4.0
- AWG	20 - 12
Screw connection	
- mm ²	0.5 - 2.5
- AWG	20 - 14
Tension clamp connection	
- mm ²	0.5 - 2.5
- AWG	20 - 14
Torque	0.5 Nm
Hoods and Housing	
Material	Aluminium die cast AL-Si 12
Plating	Powder coating grey
Locking element	
- Standard	Steel, zinc plated
Gasket	NBR
Temperature range	-40° + 125° C
Protection class	
- with housing when mated	IP 65

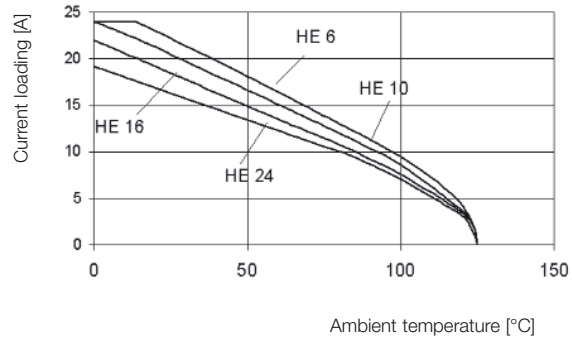
Derating curves



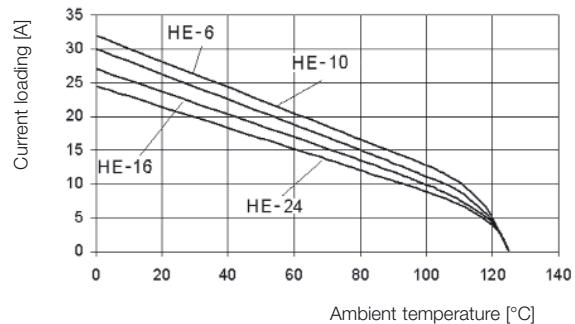
Crimp connection 1.5 mm² conductor



Crimp connection 2.5 mm² conductor



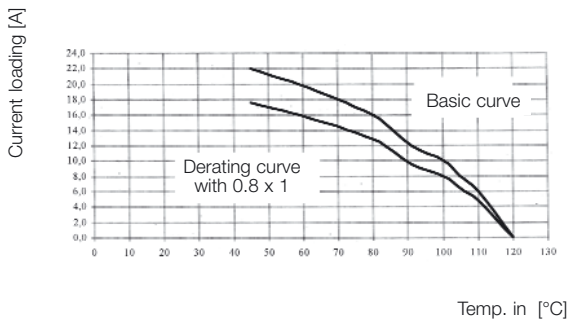
Screw connection 1.5 mm² conductor



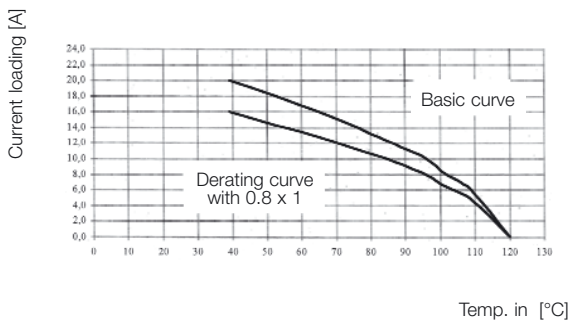
Screw connection 2.5 mm² conductor

Series HE

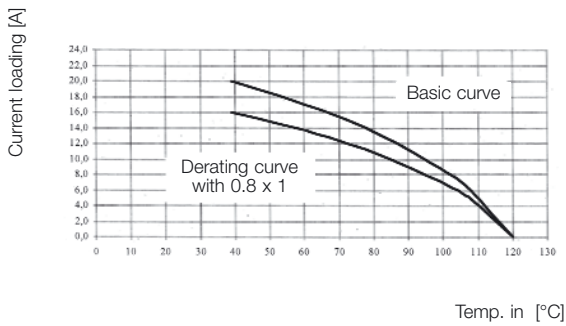
Derating curves



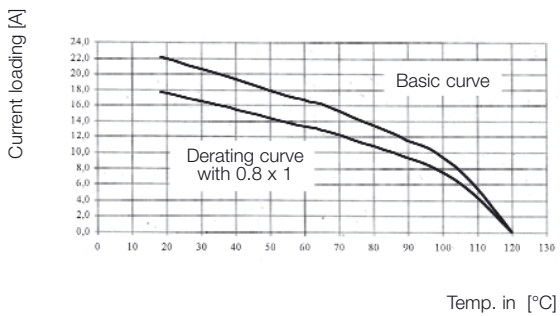
HE 6
Tension clamp connection 2.5 mm² conductor



HE 10
Tension clamp connection 2.5 mm² conductor



HE 16
Tension clamp connection 2.5 mm² conductor



HE 24
Tension clamp connection 2.5 mm² conductor

NEW 500 V

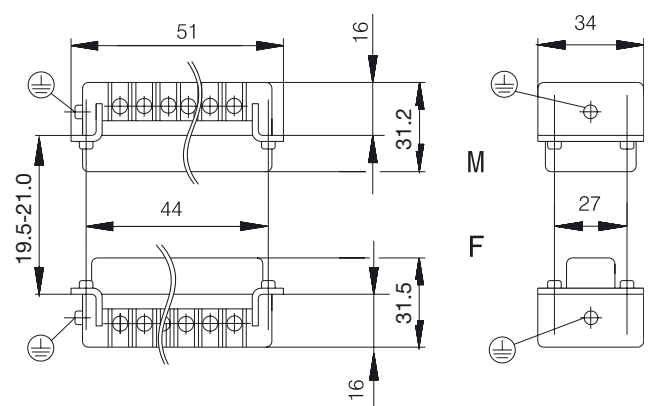
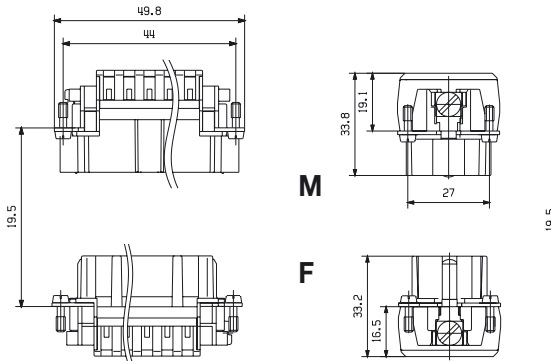
Inserts Group Size 3

Tension clamp connection HE-6

6-pole 500 V-/max 16 A

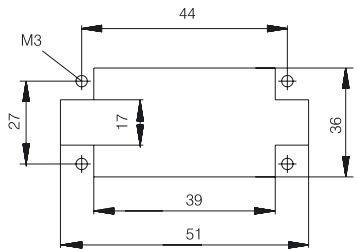
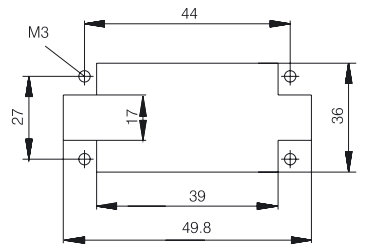
Screw connection HE-6

6-pole 500 V-/max 16 A



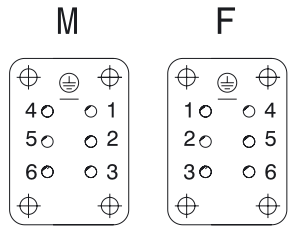
Cut-out for contact inserts used without housings

Cut-out for contact inserts used without housings

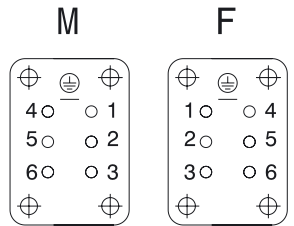


Contact layout view from cable side

Contact layout view from cable side



Male insert (M) Female insert (F)



Male insert (M) Female insert (F)

Version	Type	Cat. No.	Qty.
Male	HDC-HE-6SZF	1745820000	10
Female	HDC-HE-6BZF	1745760000	10

Version	Type	Cat. No.	Qty.
Male	HDC-HE-6SS	1200000000	5
Female	HDC-HE-6BS	1200200000	5

For accessories see section "Accessories"

Inserts Group Size 3

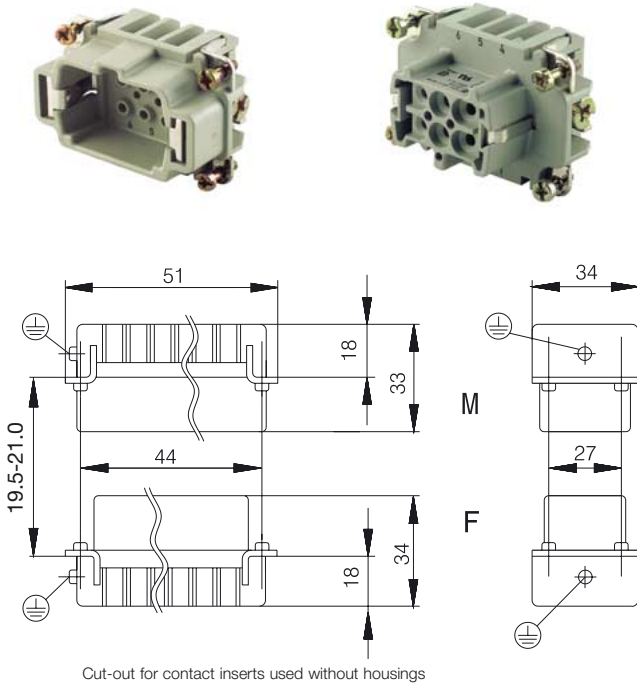
NEW 500 V

Crimp connection HE-6

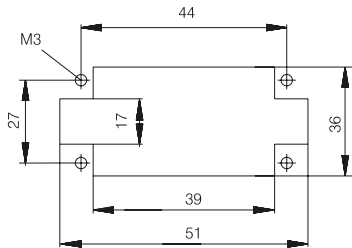
6-pole

500 V-/max 16 A

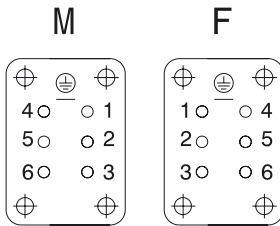
Turned contacts



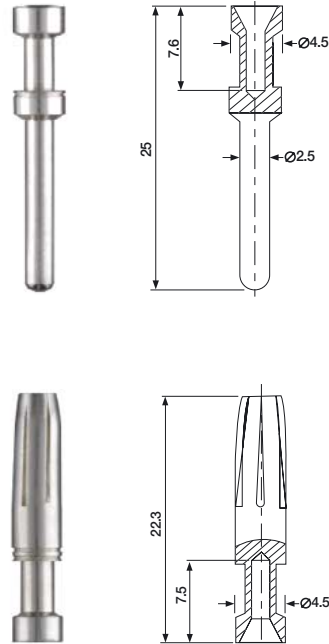
Cut-out for contact inserts used without housings



Contact layout view from cable side



Male inserts (M) Female inserts (F)



Turned crimp contacts for HE housing inserts and HE modules

Male crimps

Cross section mm ²	AWG	Plating	Type	Cat. Nr.	Qty.
0.5	20	Au	HDC-C-HE-SM0.5Au	1651420000	100
	20	Ag	HDC-C-HE-SM0.5Ag	1200500000	100
0.75 - 1.00	18	Au	HDC-C-HE-SM0.75-1.00Au	1651430000	100
	18	Ag	HDC-C-HE-SM0.75-1.00Ag	1200600000	100
1.5	16	Au	HDC-C-HE-SM1.5Au	1651440000	100
	16	Ag	HDC-C-HE-SM1.5Ag	1200700000	100
2.5	14	Au	HDC-C-HE-SM2.5Au	1651450000	100
	14	Ag	HDC-C-HE-SM2.5Ag	1200800000	100
4.0	12	Au	HDC-C-HE-SM4.0Au	1651460000	100
	12	Ag	HDC-C-HE-SM4.0Ag	1200900000	100

Female crimps

Cross section mm ²	AWG	Plating	Type	Cat. Nr.	Qty.
0.5	20	Au	HDC-C-HE-BM0.5Au	1651470000	100
	20	Ag	HDC-C-HE-BM0.5Ag	1201100000	100
0.75 - 1.00	18	Au	HDC-C-HE-BM0.75-1.00Au	1651480000	100
	18	Ag	HDC-C-HE-BM0.75-1.00Ag	1201200000	100
1.5	16	Au	HDC-C-HE-BM1.5Au	1651490000	100
	16	Ag	HDC-C-HE-BM1.5Ag	1201300000	100
2.5	14	Au	HDC-C-HE-BM2.5Au	1651500000	100
	14	Ag	HDC-C-HE-BM2.5Ag	1201400000	100
4.0	12	Au	HDC-C-HE-BM4.0Au	1651510000	100
	12	Ag	HDC-C-HE-BM4.0Ag	1201500000	100

Version	Type	Cat. No.	Qty.
For turned contacts			
Male	HDC-HE-6SCM	1200400000	5
Female	HDC-HE-6BCM	1201000000	5

For crimp contacts see page 23

For accessories see section "Accessories"

Series HE

Housings Group Size 3

Plug hood HB-6

End locking / lower side



TOVL

Plug hood HBD-16

End locking / lower side / high version



TOVL

Base housing HB-6

End locking, with/without cover

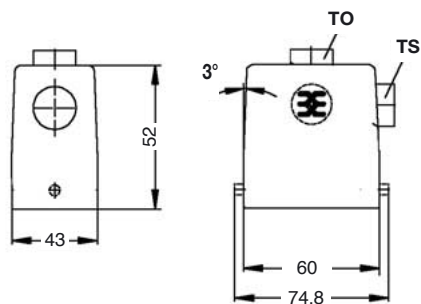


SVL

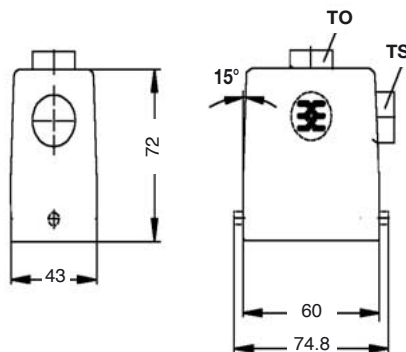


SDVL

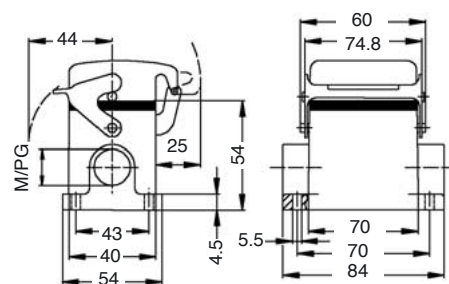
Dimensions



Dimensions



Dimensions



Version	Type	Cat. No.	Qty.
Standard housings, metric thread			
1 x M 20 thread	HDC HB6 TOVL 1xM20G	1788120000	5
1 x M 25 thread	HDC HB6 TOVL 1xM25G	1788110000	5
1 x M 20 thread	HDC HB6 TSVL 1xM20G	1805930000	5
1 x M 20 sleeve	HDC HB6 TSVL 1xM20	1788100000	5
1 x M 25 sleeve	HDC HB6 TSVL 1xM25	1788090000	5
Standard housings, PG thread			
1 x Pg13 complete	HDC-HB-6-TOVL1/13P	1201800000	5
1 x Pg13 sleeve	HDC-HB-6-TOVL1/13	1670500000	5
1 x Pg16 complete	HDC-HB-6-TOVL1/16P	1652630000	5
1 x Pg16 sleeve	HDC-HB-6-TOVL1/16	1652640000	5
1 x Pg13 complete	HDC-HB-6-TSVL1/13P	1201900000	5
1 x Pg13 sleeve	HDC-HB-6-TSVL1/13	1670530000	5
1 x Pg16 complete	HDC-HB-6-TSVL1/16P	1652510000	5
1 x Pg16 sleeve	HDC-HB-6-TSVL1/16	1652520000	5

Version	Type	Cat. No.	Qty.
Standard housings, metric thread			
1 x M 25 thread	HDC HBD16 TOVL 1xM25G	1787500000	5
1 x M 32 thread	HDC HBD16 TOVL 1xM32G	1787490000	5
1 x M 25 thread	HDC HBD16 TSVL 1xM25G	1787480000	5
1 x M 32 thread	HDC HBD16 TSVL 1xM32G	1787470000	5
Standard housings, PG thread			
1 x Pg21 complete	HDC-HBD-16-TOVL1/21P	1652670000	5
1 x Pg21 sleeve	HDC-HBD-16-TOVL1/21	1652680000	5
1 x Pg29 complete	HDC-HBD-16-TOVL1/29P	1652690000	5
1 x Pg29 sleeve	HDC-HBD-16-TOVL1/29	1652700000	5
1 x Pg21 complete	HDC-HBD-16-TSVL1/21P	1652550000	5
1 x Pg21 sleeve	HDC-HBD-16-TSVL1/21	1652560000	5
1 x Pg29 complete	HDC-HBD-16-TSVL1/29P	1652570000	5
1 x Pg29 sleeve	HDC-HBD-16-TSVL1/29	1652580000	5

Version	Type	Cat. No.	Qty.
Standard housings, metric thread			
2 x M 20 thread	HDC HB6 SVL 2xM20G	1788140000	5
2 x M 25 thread	HDC HB6 SVL 2xM25G	1788130000	5
Standard housings with cover, metric thread			
2 x M 20 thread	HDC HB6 SDVL 2xM20G	1788170000	2
2 x M 25 thread	HDC HB6 SDVL 2xM25G	1788160000	2
Standard housings, PG thread			
1 x Pg16 complete	HDC-HB-6-SVL1/16P	1202200000	5
1 x Pg16 sleeve	HDC-HB-6-SVL1/16	1652750000	5
2 x Pg16 complete	HDC-HB-6-SVL2/16P	1202300000	5
2 x Pg16 sleeve	HDC-HB-6-SVL2/16	1652760000	5
Standard housings with cover, PG thread			
1 x Pg16 complete	HDC-HB-6-SDVL1/16P	1202600000	2
1 x Pg16 sleeve	HDC-HB-6-SDVL1/16	1652980000	2
2 x Pg16 complete	HDC-HB-6-SDVL2/16P	1202700000	2
2 x Pg16 sleeve	HDC-HB-6-SDVL2/16	1652990000	2

TOVL = Plug hood; Top cable entry, end locking
 TSVL = Plug hood; Side cable entry, end locking

TOVL = Plug hood; Top cable entry, end locking
 TSVL = Plug hood; Side cable entry, end locking

SVL = Base housing, end locking
 SDVL = Base housing with cover, end locking

For accessories see section "Accessories"

Housings Group Size 3

Base housing HBD-16

End locking, with/without cover, high version

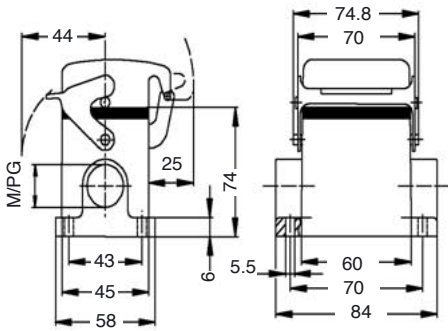


SVL



SDVL

Dimensions



Version	Type	Cat. No.	Qty.
Standard housings with cover, metric thread			
1 x M 25 thread	HDC HBD16 SVL 2xM25G	1787520000	5
1 x M 32 thread	HDC HBD16 SVL 2xM32G	1787510000	5
1 x M 25 thread	HDC HBD16 SDVL 2xM25G	1787540000	2
1 x M 32 thread	HDC HBD16 SDVL 2xM32G	1787530000	2
Standard housings with cover, PG thread			
1 x Pg21 complete	HDC-HBD-16-SVL1/21P	1652810000	5
1 x Pg21 sleeve	HDC-HBD-16-SVL1/21	1652820000	5
1 x Pg29 complete	HDC-HBD-16-SVL1/29P	1652850000	5
2 x Pg21 sleeve	HDC-HBD-16-SVL2/21	1652840000	5
1 x Pg21 complete	HDC-HBD-16-SDVL1/21P	1653040000	2

SVL = Base housing, end locking
SDVL = Base housing with cover, end locking

Coupling hood HB-6 / HBD-16

End locking

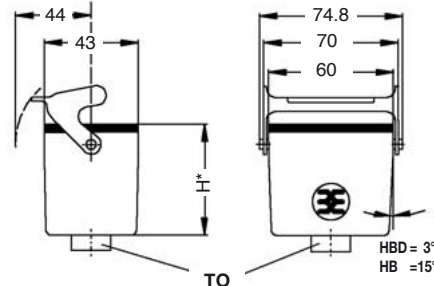


KVL



KVL

Dimensions

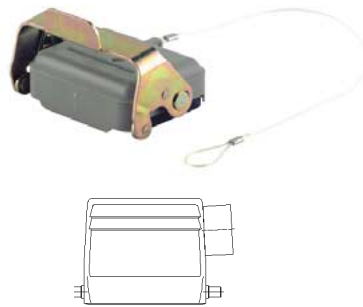


*HB = 54.8
HBD = 74.8

Version	Type	Cat. No.	Qty.
Standard housings, PG thread			
1 x Pg16 complete	HDC-HB-6-KVL1/16P	1202400000	5
1 x Pg16 sleeve	HDC-HB-6-KVL1/16	1653200000	5
1 x Pg21 complete	HDC-HBD-16-KVL1/21P	1653230000	5
KVL = Coupling hood, end locking			

Cover for plug hoods

Cover with cord



Type	Cat. No.	Qty.
Plastic cover		
HDC-HB-6-DT	1665210000	2

Bulkhead housing HB-6

End locking, with/without cover

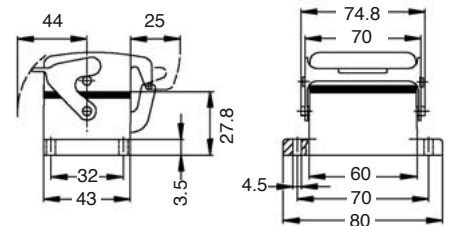


AVL



ADVL

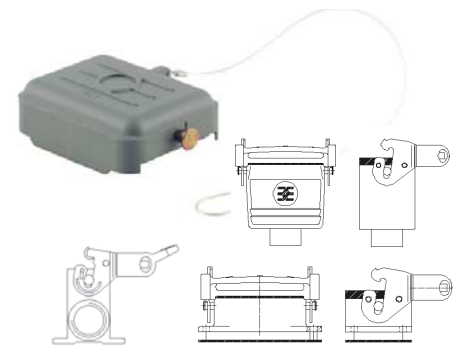
Dimensions



Version	Type	Cat. No.	Qty.
Standard housings			
	HDC-HB-6-AVL	1202100000	5
Standard housings with cover			
	HDC-HB-6-ADVL	1202500000	5
AVL = Bulkhead housing, end locking ADVL = Bulkhead housing with cover, end locking			

Cover for lower side with end locking

Cover with cord



Type	Cat. No.	Qty.
Plastic cover		
HDC-HB-6-DB	1665200000	5

For accessories see section "Accessories"

NEW 500 V

Inserts Group Size 4

Tension clamp connection HE-10

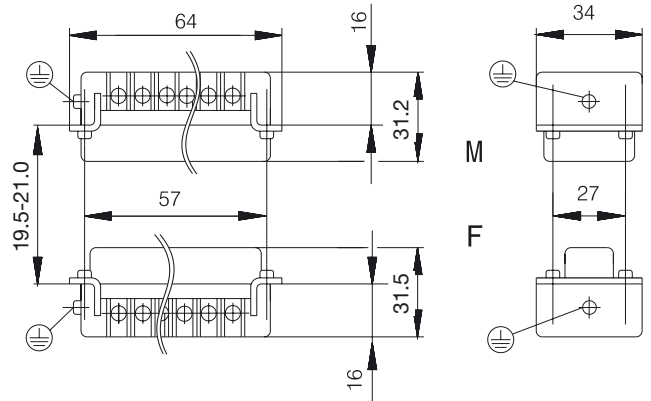
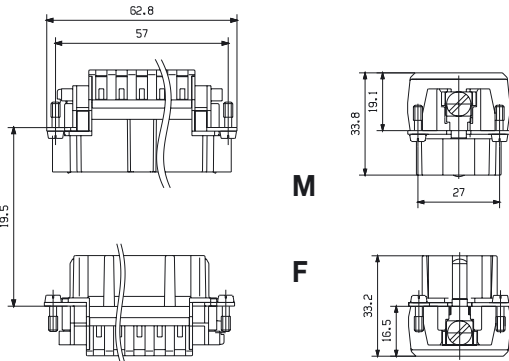
10-pole

500 V-/max 16 A

Screw connection HE-10

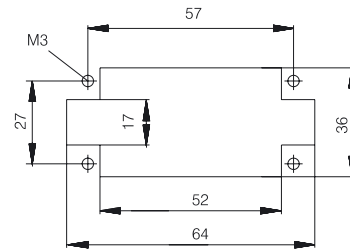
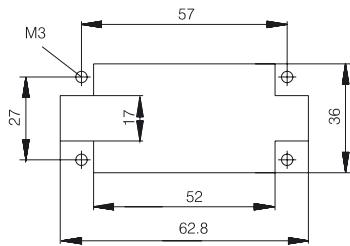
10-pole

500 V-/max 16 A



Cut-out for contact inserts used without housings

Cut-out for contact inserts used without housings

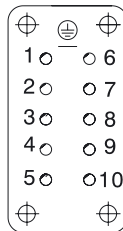
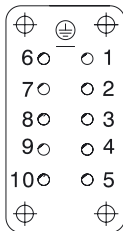


Contact layout

view from cable side

M

F



Male insert (M)

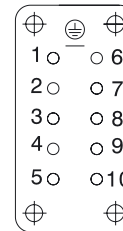
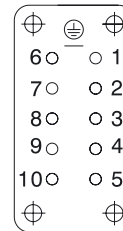
Female insert (F)

Contact layout

view from cable side

M

F



Male insert (M)

Female insert (F)

Version	Type	Cat. No.	Qty.
Male	HDC-HE-10SFZ	1745830000	10
Female	HDC-HE-10BFZ	1745770000	10

Version	Type	Cat. No.	Qty.
Male	HDC-HE-10SS	1203900000	5
Female	HDC-HE-10BS	1204100000	5

For accessories see section "Accessories"

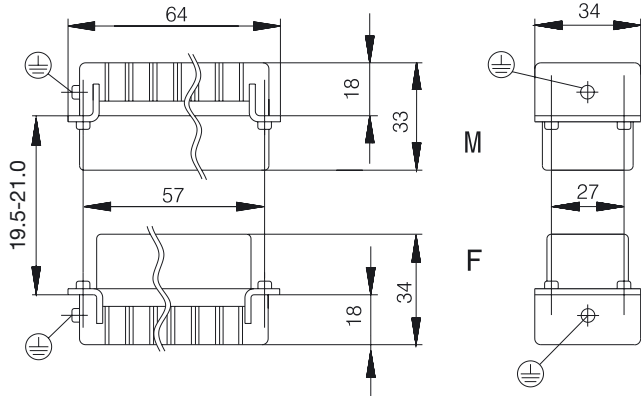
Inserts Group Size 4

NEW 500 V

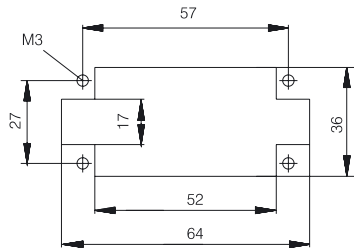
Crimp connection HE-10

10-pole

500 V-/max 16 A



Cut-out contact inserts used without housings

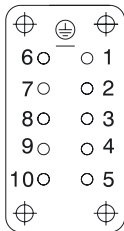


Contact layout

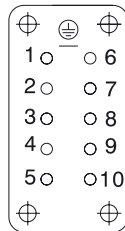
view from cable side

M

F

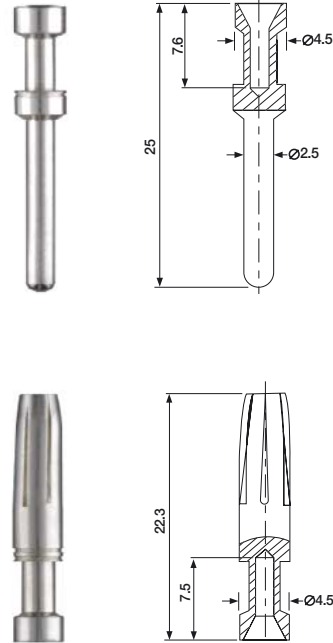


Male insert (M)



Female insert (F)

Turned crimp contacts



Turned crimp contacts for HE housing inserts and HE modules

Male crimps

Cross-section mm ²	AWG	Plating	Type	Cat. No.	Qty.
0.5	20	Au	HDC-C-HE-SM0.5Au	1651420000	100
	20	Ag	HDC-C-HE-SM0.5Ag	1200500000	100
0.75 - 1.00	18	Au	HDC-C-HE-SM0.75-1.00Au	1651430000	100
	18	Ag	HDC-C-HE-SM0.75-1.00Ag	1200600000	100
1.5	16	Au	HDC-C-HE-SM1.5Au	1651440000	100
	16	Ag	HDC-C-HE-SM1.5Ag	1200700000	100
2.5	14	Au	HDC-C-HE-SM2.5Au	1651450000	100
	14	Ag	HDC-C-HE-SM2.5Ag	1200800000	100
4.0	12	Au	HDC-C-HE-SM4.0Au	1651460000	100
	12	Ag	HDC-C-HE-SM4.0Ag	1200900000	100

Female crimps

Cross-section mm ²	AWG	Plating	Type	Cat. No.	Qty.
0.5	20	Au	HDC-C-HE-BM0.5Au	1651470000	100
	20	Ag	HDC-C-HE-BM0.5Ag	1201100000	100
0.75 - 1.00	18	Au	HDC-C-HE-BM0.75-1.00Au	1651480000	100
	18	Ag	HDC-C-HE-BM0.75-1.00Ag	1201200000	100
1.5	16	Au	HDC-C-HE-BM1.5Au	1651490000	100
	16	Ag	HDC-C-HE-BM1.5Ag	1201300000	100
2.5	14	Au	HDC-C-HE-BM2.5Au	1651500000	100
	14	Ag	HDC-C-HE-BM2.5Ag	1201400000	100
4.0	12	Au	HDC-C-HE-BM4.0Au	1651510000	100
	12	Ag	HDC-C-HE-BM4.0Ag	1201500000	100

Version	Type	Cat. No.	Qty.
---------	------	----------	------

For turned contacts

Male	HDC-HE-10SCM	1204300000	5
Female	HDC-HE-10BCM	1204400000	5

For crimp contacts see page 27

For accessories see section "Accessories"

Housings Group Size 4

Plug hood HB-10

Side locking lower side

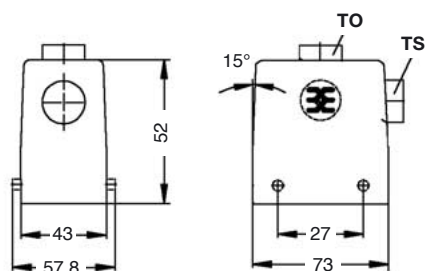


TOVU



TSVU

Dimensions



Version	Type	Cat. No.	Qty.
Standard housings, metric thread			
1 x M 20 sleeve	HDC HB10 TSVU 1xM20	1787560000	5
1 x M 25 sleeve	HDC HB10 TSVU 1xM25	1787550000	5
1 x M 20 thread	HDC HB10 TOVU 1xM20G	1787600000	5
1 x M 25 thread	HDC HB10 TOVU 1xM25G	1787590000	5
Standard housings, PG thread			
1 x Pg16 complete	HDC-HB-10-TSVU1/16P	1204800000	5
1 x Pg16 sleeve	HDC-HB-10-TSVU1/16	1654070000	5
1 x Pg21 complete	HDC-HB-10-TSVU1/21P	1654080000	5
1 x Pg21 sleeve	HDC-HB-10-TSVU1/21	1654090000	5
1 x Pg16 complete	HDC-HB-10-TOVU1/16P	1204700000	5
1 x Pg16 sleeve	HDC-HB-10-TOVU1/16	1654220000	5
1 x Pg21 complete	HDC-HB-10-TOVU1/21P	1654230000	5
1 x Pg21 sleeve	HDC-HB-10-TOVU1/21	1654240000	5

TSVU = Plug hood; Side cable entry, side locking lower side
 TOVU = Plug hood; Top cable entry, side locking lower side

Plug hood HBD-24

Side locking lower side / high version

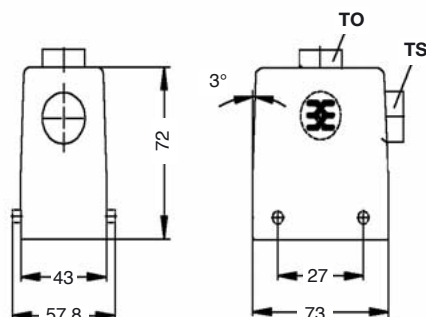


TOVU



TSVU

Dimensions



Version	Type	Cat. No.	Qty.
Standard housings, metric thread			
1 x M 25 thread	HDC HBD24 TSVU 1xM25G	1787240000	5
1 x M 32 thread	HDC HBD24 TSVU 1xM32G	1787230000	5
1 x M 25 thread	HDC HBD24 TOVU 1xM25G	1787300000	5
1 x M 32 thread	HDC HBD24 TOVU 1xM32G	1787290000	5
Standard housings, PG thread			
1 x Pg21 complete	HDC-HBD-24-TSVU1/21P	1654140000	5
1 x Pg21 sleeve	HDC-HBD-24-TSVU1/21	1654150000	5
1 x Pg29 complete	HDC-HBD-24-TSVU1/29P	1654160000	5
1 x Pg29 sleeve	HDC-HBD-24-TSVU1/29	1654170000	5
1 x Pg21 complete	HDC-HBD-24-TOVU1/21P	1654290000	5
1 x Pg29 complete	HDC-HBD-24-TOVU1/29P	1654310000	5

TSVU = Plug hood; Side cable entry, side locking lower side
 TOVU = Plug hood; Top cable entry, side locking lower side

Base housing HB-10 / HBD-24

Side locking

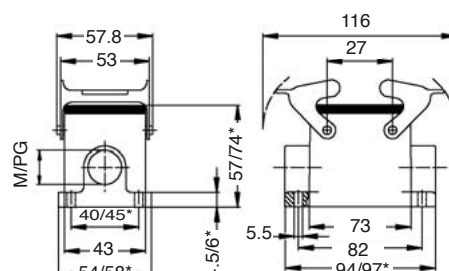


SVU



SVU

Dimensions



*HB/HBD

Version	Type	Cat. No.	Qty.
Standard housings, metric thread			
1 x M 20 thread	HDC HB10 SVU 2xM20G	1787640000	2
1 x M 25 thread	HDC HB10 SVU 2xM25G	1787630000	2
2 x M 25 thread	HDC HBD24 SVU 2xM25G	1787350000	2
2 x M 32 thread	HDC HBD24 SVU 2xM32G	1787360000	2
Standard housings, PG thread			
1 x Pg16 complete	HDC-HB-10-SVU1/16P	1205100000	2
1 x Pg16 sleeve	HDC-HB-10-SVU1/16	1654370000	2
2 x Pg16 complete	HDC-HB-10-SVU2/16P	1205200000	2
2 x Pg16 sleeve	HDC-HB-10-SVU2/16	1654380000	2
1 x Pg21 complete	HDC-HBD-24-SVU1/21P	1654420000	2
1 x Pg21 sleeve	HDC-HBD-24-SVU1/21	1654430000	2
1 x Pg29 sleeve	HDC-HBD-24-SVU1/29	1654470000	2
2 x Pg21 complete	HDC-HBD-24-SVU2/21P	1654440000	2
2 x Pg21 sleeve	HDC-HBD-24-SVU2/21	1654450000	2
2 x Pg29 complete	HDC-HBD-24-SVU2/29P	1654480000	2

SVU = Base housing, side locking

For accessories see section "Accessories"

Housings Group Size 4

Coupling hood HB-10 / HBD 24

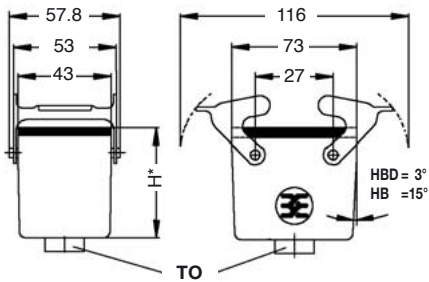
Side locking



KVVU

KVVU

Dimensions



*HB = 54.8
HBD = 74.8

Version	Type	Cat. No.	Qty.
Standard housings, metric thread			
1 x M 20 thread	HDC HB10 KVVU 1xM20G	1787720000	5
1 x M 25 thread	HDC HB10 KVVU 1xM25G	1787710000	5
1 x M 25 thread	HDC HBD24 KVVU 1xM25G	1787440000	2
1 x M 32 thread	HDC HBD24 KVVU 1xM32G	1787430000	2
Standard housings, PG thread			
1 x Pg16 complete	HDC-HB-10-KVVU1/16P	1205300000	5
1 x Pg16 sleeve	HDC-HB-10-KVVU1/16	1654580000	5
1 x Pg21 complete	HDC-HB-10-KVVU1/21P	1654590000	5
1 x Pg21 complete	HDC-HBD-24-KVVU1/21P	1654650000	2
1 x Pg29 complete	HDC-HBD-24-KVVU1/29P	1654670000	2

KVVU = Coupling hood, side locking

Cover for plug hoods

Cover with cord



Type	Cat. No.	Qty.
Plastic cover		
HDC-HB-10-DT	1665240000	2

For accessories see section "Accessories"

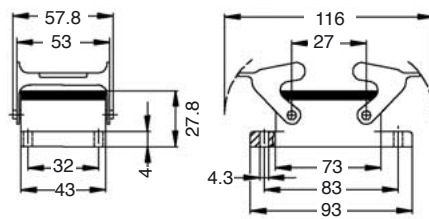
Bulkhead housing HB-10

Side locking



AVU

Dimensions

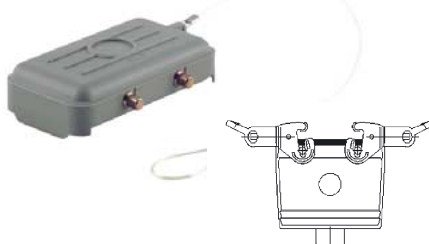


Version	Type	Cat. No.	Qty.
Standard housings			
	HDC-HB-10-AVU	1205000000	5

AVU = Bulkhead housing, side locking

Cover for lower side with side locking

Cover with cord



Type	Cat. No.	Qty.
Plastic cover		
HDC-HB-10-DB	1665230000	5

Plug hood HB-10 / HBD-24

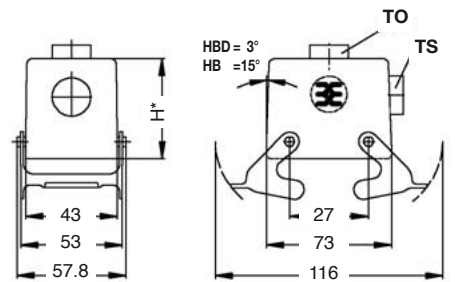
Side locking



TSVO

TSVO

Dimensions



*HB = 52
HBD = 72

Version	Type	Cat. No.	Qty.
Standard housings, metric thread			
1 x M 25 sleeve	HDC HB10 TSVO 1xM25	1787570000	5
1 x M 25 thread	HDC HB10 TOVO 1xM25G	1787610000	5
1 x M 25 thread	HDC HBD24 TSVO 1xM25G	1787260000	2
1 x M 32 thread	HDC HBD24 TSVO 1xM32G	1787250000	2
1 x M 25 thread	HDC HBD24 TOVO 1xM25G	1787320000	2
1 x M 32 thread	HDC HBD24 TOVO 1xM32G	1787310000	2
Standard housings, PG thread			
1 x Pg16 complete	HDC-HB-10-TSVO1/16P	1205500000	5
1 x Pg16 sleeve	HDC-HB-10-TSVO1/16	1654750000	5
1 x Pg16 complete	HDC-HB-10-TOVO1/16P	1205400000	5
1 x Pg16 sleeve	HDC-HB-10-TOVO1/16	1654860000	5
1 x Pg21 sleeve	HDC-HBD-24-TSVO1/21	1654790000	2
1 x Pg29 complete	HDC-HBD-24-TSVO1/29P	1654800000	2
1 x Pg29 sleeve	HDC-HBD-24-TSVO1/29	1654810000	2
1 x Pg21 complete	HDC-HBD-24-TOVO1/21P	1654890000	2
1 x Pg29 complete	HDC-HBD-24-TOVO1/29P	1654910000	2
1 x Pg29 sleeve	HDC-HBD-24-TOVO1/29	1654920000	2

TSVO = Plug hood; Side cable entry, side locking

TOVO = Plug hood; Top cable entry, side locking

Housings Group Size 4

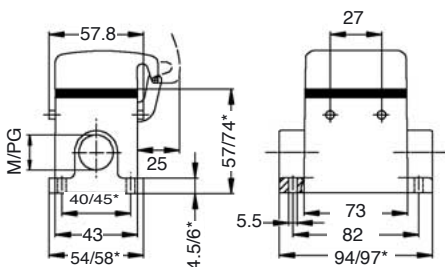
Base housing HB-10 / HBD-24

Side locking upper side



SDVO

Dimensions



*HB/HBD

Version	Type	Cat. No.	Qty.
Standard housings with cover, metric thread			
1 x M 20 thread	HDC HB10 SDVO 2xM20G	1787680000	2
1 x M 25 thread	HDC HB10 SDVO 2xM25G	1787670000	2
1 x M 25 thread	HDC HBD24 SDVO 2xM25G	1787400000	1
1 x M 32 thread	HDC HBD24 SDVO 2xM32G	1787390000	1
Standard housings with cover, PG thread			
1 x Pg16 complete	HDC-HB-10-SDVO1/16P	1205700000	2
1 x Pg16 sleeve	HDC-HB-10-SDVO1/16	1654990000	2
2 x Pg16 complete	HDC-HB-10-SDVO2/16P	1205800000	2
2 x Pg16 sleeve	HDC-HB-10-SDVO2/16	1655000000	2
1 x Pg21 complete	HDC-HBD-24-SDVO1/21P	1655050000	1
1 x Pg29 complete	HDC-HBD-24-SDVO1/29P	1655090000	1
2 x Pg29 complete	HDC-HBD-24-SDVO2/29P	1655110000	1

SDVO = Base housing with cover, side locking upper side

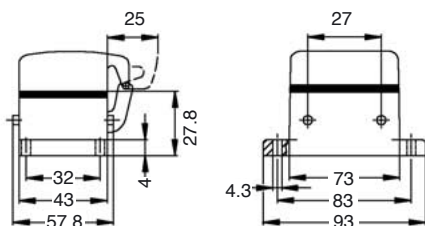
Bulkhead housing HB-10

with cover / side locking upper side



ADVO

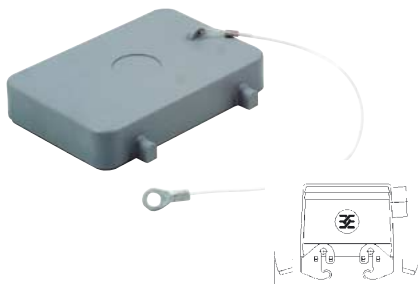
Dimensions



Version	Type	Cat. No.	Qty.
Standard housings with cover			
	HDC-HB-10-ADVO	1205600000	5
ADVO = Bulkhead housing with cover, side locking upper side			

Cover for plug hoods with side locking

Cover with cord



Type	Cat. No.	Qty.
Plastic cover		
HDC-HB-10-DBP	1665250000	5

Plug hood HB-10 / HBD-24

End locking / lower side

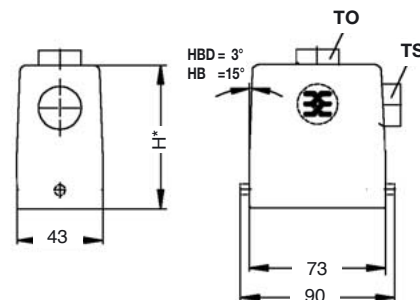


TOVL



TOVL

Dimensions



*HB = 52
HBD = 72

Version	Type	Cat. No.	Qty.
Standard housings, metric thread			
1 x M 25 sleeve	HDC HB10 TSVL 1xM25	1787580000	5
1 x M 25 thread	HDC HB10 TOVL 1xM25G	1787620000	5
1 x M 25 thread	HDC HBD24 TSVL 1xM25G	1787280000	2
1 x M 32 thread	HDC HBD24 TSVL 1xM32G	1787270000	2
1 x M 25 thread	HDC HBD24 TOVL 1xM25G	1787340000	2
1 x M 32 thread	HDC HBD24 TOVL 1xM32G	1787330000	2
Standard housings, PG thread			
1 x Pg16 complete	HDC-HB-10-TSVL1/16P	1206000000	5
1 x Pg16 sleeve	HDC-HB-10-TSVL1/16	1655210000	5
1 x Pg16 complete	HDC-HB-10-TOVL1/16P	1205900000	5
1 x Pg16 sleeve	HDC-HB-10-TOVL1/16	1655320000	5
1 x Pg21 complete	HDC-HBD-24-TSVL1/21P	1655240000	2
1 x Pg21 sleeve	HDC-HBD-24-TSVL1/21	1655250000	2
1 x Pg29 complete	HDC-HBD-24-TSVL1/29P	1655260000	2
1 x Pg29 sleeve	HDC-HBD-24-TSVL1/29	1655270000	2
1 x Pg21 complete	HDC-HBD-24-TOVL1/21P	1655350000	2
1 x Pg21 sleeve	HDC-HBD-24-TOVL1/21	1655360000	2
1 x Pg29 complete	HDC-HBD-24-TOVL1/29P	1655370000	2
1 x Pg29 sleeve	HDC-HBD-24-TOVL1/29	1655380000	2

TSVL = Plug hood; Side cable entry, end locking

TOVL = Plug hood; Top cable entry, end locking

For accessories see section "Accessories"

Housings Group Size 4

Base housing HB-10 / HBD-24

End locking, with/without cover



SVL



SDVL

Coupling hood HB-10 / HBD-24

End locking



KVL



KVL

Bulkhead housing HB-10

End locking, with/without cover

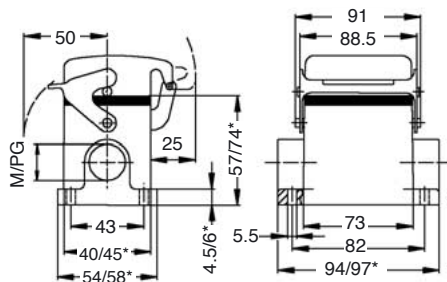


AVL



ADVL

Dimensions



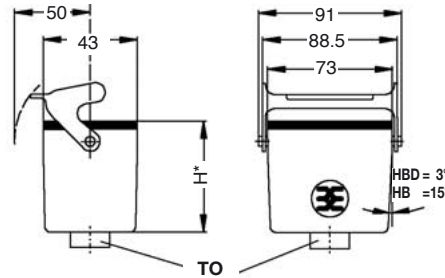
*HB/HBG

Version	Type	Cat. No.	Qty.
Standard housings, metric thread			
2 x M 20 thread	HDC HB10 SVL 2xM20G	1787660000	2
2 x M 25 thread	HDC HB10 SVL 2xM25G	1787650000	2
2 x M 25 thread	HDC HBD24 SVL 2xM25G	1787380000	2
2 x M 32 thread	HDC HBD24 SVL 2xM32G	1787370000	2
Standard housings with cover, metric thread			
2 x M 20 thread	HDC HB10 SDVL 2xM20G	1787700000	2
2 x M 25 thread	HDC HB10 SDVL 2xM25G	1787690000	2
1 x M 25 thread	HDC HBD24 SDVL 1xM25G	1787420000	1
1 x M 32 thread	HDC HBD24 SDVL 1xM32G	1787410000	1
Standard housings, PG thread			
1 x Pg16 complete	HDC-HB-10-SVL1/16P	1206200000	2
1 x Pg16 sleeve	HDC-HB-10-SVL1/16	1655460000	2
2 x Pg16 complete	HDC-HB-10-SVL2/16P	1206300000	2
2 x Pg16 sleeve	HDC-HB-10-SVL2/16	1655470000	2
1 x Pg21 complete	HDC-HBD-24-SVL1/21P	1655510000	2
1 x Pg29 complete	HDC-HBD-24-SVL1/29P	1655550000	2
Standard housings with cover, PG thread			
1 x Pg16 complete	HDC-HB-10-SDVL1/16P	1206600000	2
1 x Pg16 sleeve	HDC-HB-10-SDVL1/16	1655670000	2
2 x Pg16 complete	HDC-HB-10-SDVL2/16P	1206700000	1
2 x Pg16 sleeve	HDC-HB-10-SDVL2/16	1655680000	1
1 x Pg21 complete	HDC-HBD-24-SDVL1/21P	1655720000	1

SVL = Base housing, end locking

SDVL = Base housing with cover, end locking

Dimensions

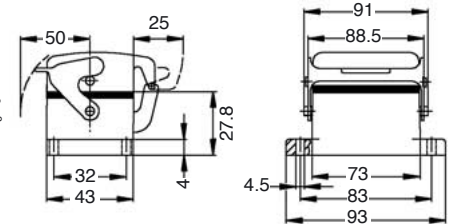


*HB = 54.8
HBD = 74.8

Version	Type	Cat. No.	Qty.
Standard housings, metric thread			
1 x M 20 thread	HDC HB10 KVL 1xM20G	1787740000	5
1 x M 25 thread	HDC HB10 KVL 1xM25G	1787730000	2
1 x M 25 thread	HDC HBD24 KVL 1xM25G	1787460000	2
1 x M 32 thread	HDC HBD24 KVL 1xM32G	1787450000	2
Standard housings, PG thread			
1 x Pg16 complete	HDC-HB-10-KVL1/16P	1655880000	5
1 x Pg16 sleeve	HDC-HB-10-KVL1/16	1655890000	5
1 x Pg21 complete	HDC-HB-10-KVL1/21P	1655900000	2

KVL = Coupling hood, end locking

Dimensions



Version	Type	Cat. No.	Qty.
Standard housings			
	HDC-HB-10-AVL	1206100000	5
Standard housings with cover			
	HDC-HB-10-ADVL	1206500000	2

AVL = Bulkhead housing, end locking

ADVL = Bulkhead housing with cover, end locking

For accessories see section "Accessories"

Housings Group Size 4 – Motor Connection Housings



HDC HB-10 / AWVL



The Plug and Play solution for your motor

Weidmüller is able to offer a further value-for-money solution in the field of heavy-duty connectors with quick mounting times and free choice of connection technology.

The angled housing HDC HB 10 AWVL replaces the motor terminal connection box.

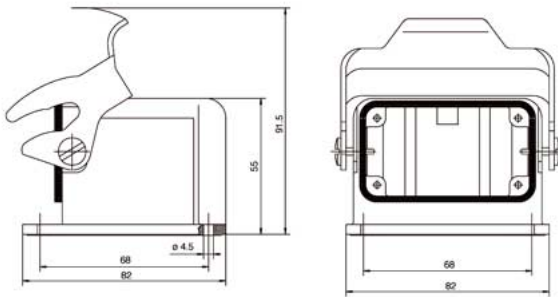
The 68-mm fixing grid enables the mounting position to be staggered respectively by 90°.

All standard plug hoods with end locking are compatible.

The standard inserts from the HE 10 series, optionally available in screw, tension clamp and crimp technologies, can be used as can the inserts from the modular system ConCept.

You have never changed a motor so fast in your life.

Dimensions



Technical data

Material:	Aluminium die cast alloy AL Si -12
Surface:	Power coated RAL 7037
Locking elements:	Steel, zinc
Gaskets:	NBR material
Temperature range:	-40° C ... + 125° C
Protection class when locked:	IP 65 in accordance with DIN 40050

Ordering data

Type	Qty.	Cat. No.
HDC HB 10 AWVL	5	1790040000

NEW 500 V

Inserts Group Size 6

Tension clamp connection HE-16

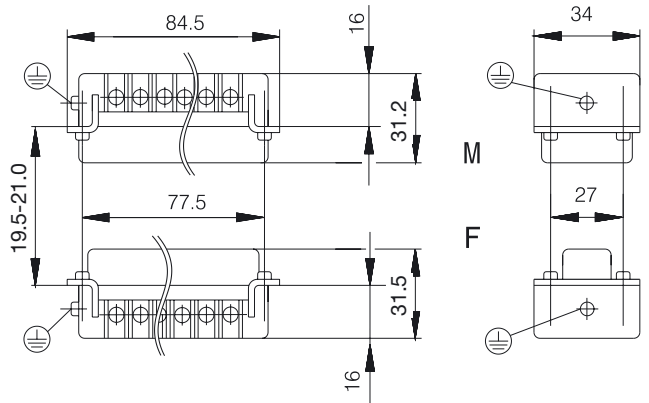
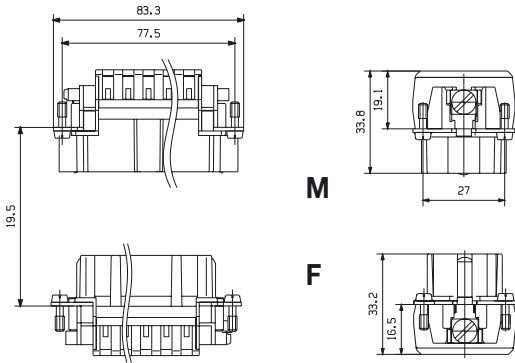
16-pole

500 V-/max 16 A

Screw HE-16

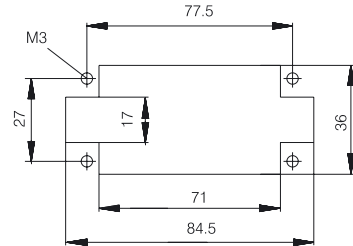
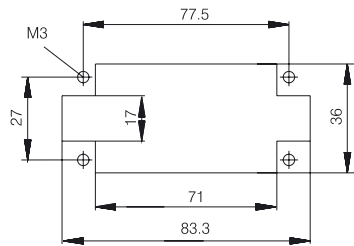
16-pole

500 V-/max 16 A



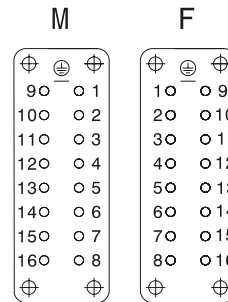
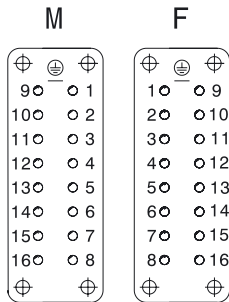
Cut-out for contact inserts used without housings

Cut-out for contact inserts used without housings



Contact layout view from cable side

Contact layout view from cable side



Male insert (M) Female insert (F)

Male insert (M) Female insert (F)

Version	Type	Cat. No.	Qty.
Male	HDC-HE-16SZF	1745840000	5
Female	HDC-HE-16BZF	1745780000	5

Version	Type	Cat. No.	Qty.
Male	HDC-HE-16SS	1207500000	5
Female	HDC-HE-16BS	1207700000	5

For accessories see section "Accessories"

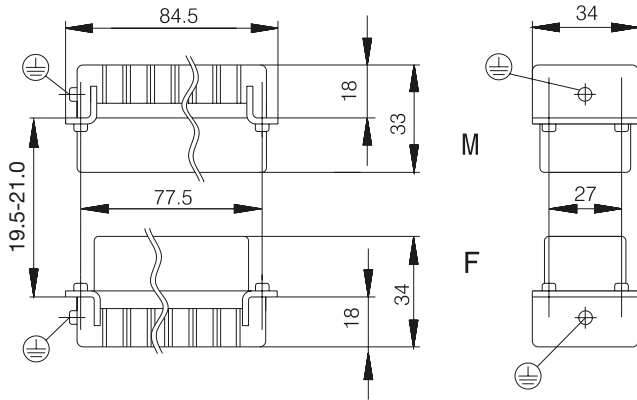
Inserts Group Size 6

NEW 500 V

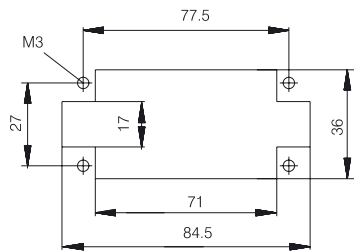
Crimp connection HE-16

16-pole

500 V-/max 16 A



Cut-out for contact inserts used without housings

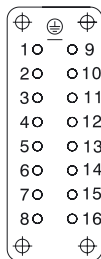
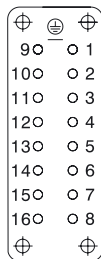


Contact layout

view from cable side

M

F



Male insert (M)

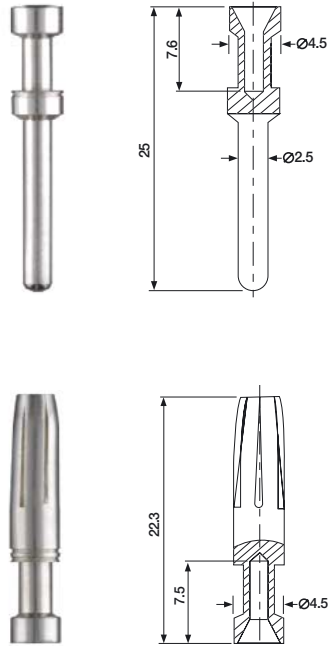
Female insert (F)

Male	HDC-HE-16SCM	1207900000	5
Female	HDC-HE-16BCM	1208000000	5

For crimp contacts see page 35

For accessories see section "Accessories"

Turned crimp contacts



Turned crimp contacts for HE housing inserts and HE modules

Male crimps

Cross-section mm ²	AWG	Plating	Type	Cat. No.	Qty.
0.5	20	Au	HDC-C-HE-SM0.5Au	1651420000	100
	20	Ag	HDC-C-HE-SM0.5Ag	1200500000	100
0.75 - 1.00	18	Au	HDC-C-HE-SM0.75-1.00Au	1651430000	100
	18	Ag	HDC-C-HE-SM0.75-1.00Ag	1200600000	100
1.5	16	Au	HDC-C-HE-SM1.5Au	1651440000	100
	16	Ag	HDC-C-HE-SM1.5Ag	1200700000	100
2.5	14	Au	HDC-C-HE-SM2.5Au	1651450000	100
	14	Ag	HDC-C-HE-SM2.5Ag	1200800000	100
4.0	12	Au	HDC-C-HE-SM4.0Au	1651460000	100
	12	Ag	HDC-C-HE-SM4.0Ag	1200900000	100

Female crimps

Cross-section mm ²	AWG	Plating	Type	Cat. No.	Qty.
0.5	20	Au	HDC-C-HE-BM0.5Au	1651470000	100
	20	Ag	HDC-C-HE-BM0.5Ag	1201100000	100
0.75 - 1.00	18	Au	HDC-C-HE-BM0.75-1.00Au	1651480000	100
	18	Ag	HDC-C-HE-BM0.75-1.00Ag	1201200000	100
1.5	16	Au	HDC-C-HE-BM1.5Au	1651490000	100
	16	Ag	HDC-C-HE-BM1.5Ag	1201300000	100
2.5	14	Au	HDC-C-HE-BM2.5Au	1651500000	100
	14	Ag	HDC-C-HE-BM2.5Ag	1201400000	100
4.0	12	Au	HDC-C-HE-BM4.0Au	1651510000	100
	12	Ag	HDC-C-HE-BM4.0Ag	1201500000	100

Housings Group Size 6

Plug hood HB-16 / HBD-40

Side locking lower side

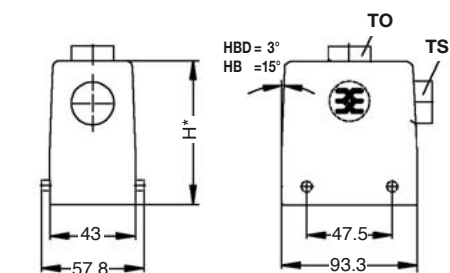


TSVU



TOVU

Dimensions



*HB = 61
HBD = 76

Version	Type	Cat. No.	Qty.
Standard housings, metric thread			
1 x M 25 sleeve	HDC HB16 TSVU 1xM25	1788180000	5
1 x M 25 thread	HDC HB16 TOVU 1xM25G	1788210000	5
1 x M 25 thread	HDC HBD40 TSVU 1xM25G	1787010000	5
1 x M 32 thread	HDC HBD40 TSVU 1xM32G	1787000000	5
1 x M 25 thread	HDC HBD40 TOVU 1xM25G	1787070000	5
1 x M 32 thread	HDC HBD40 TOVU 1xM32G	1787060000	5
Standard housings, PG thread			
1 x Pg21 complete	HDC-HB-16-TSVU1/21P	1208400000	5
1 x Pg21 sleeve	HDC-HB-16-TSVU1/21	1656480000	5
1 x Pg21 complete	HDC-HB-16-TOVU1/21P	1208300000	5
1 x Pg21 sleeve	HDC-HB-16-TOVU1/21	1656590000	5
1 x Pg21 complete	HDC-HBD-40-TSVU1/21P	1656510000	5
1 x Pg21 sleeve	HDC-HBD-40-TSVU1/21	1656520000	5
1 x Pg29 complete	HDC-HBD-40-TSVU1/29P	1656530000	5
1 x Pg29 sleeve	HDC-HBD-40-TSVU1/29	1656540000	5
1 x Pg21 complete	HDC-HBD-40-TOVU1/21P	1656620000	5
1 x Pg21 sleeve	HDC-HBD-40-TOVU1/21	1656630000	5
1 x Pg29 complete	HDC-HBD-40-TOVU1/29P	1656640000	5
1 x Pg29 sleeve	HDC-HBD-40-TOVU1/29	1656650000	5

TOVU = Plug hood; Top cable entry, side locking lower side

TSVU = Plug hood; Side cable entry, side locking lower side

For accessories see section "Accessories"

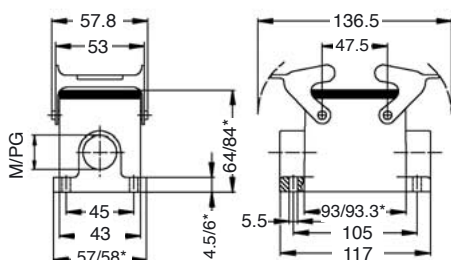
Base housing HB-16 / HBD-40

Side locking



SVU

Dimensions



*HB/HBD

Version	Type	Cat. No.	Qty.
Standard housings, metric thread			
1 x M 25 thread	HDC HB16 SVU 2xM25G	1788240000	2
2 x M 25 thread	HDC HBD40 SVU 2xM25G	1787120000	2
2 x M 32 thread	HDC HBD40 SVU 2xM32G	1787110000	2
Standard housings, PG thread			
1 x Pg21 complete	HDC-HB-16-SVU1/21P	1208700000	2
1 x Pg21 sleeve	HDC-HB-16-SVU1/21	1656720000	2
2 x Pg21 complete	HDC-HB-16-SVU2/21P	1208800000	2
2 x Pg21 sleeve	HDC-HB-16-SVU2/21	1656730000	2
1 x Pg21 sleeve	HDC-HBD-40-SVU1/21	1656790000	2
1 x Pg29 complete	HDC-HBD-40-SVU1/29P	1656820000	2
2 x Pg21 complete	HDC-HBD-40-SVU2/21P	1656800000	2
2 x Pg21 sleeve	HDC-HBD-40-SVU2/21	1656810000	2
2 x Pg29 complete	HDC-HBD-40-SVU2/29P	1656840000	2

SVU = Base housing, side locking lower side

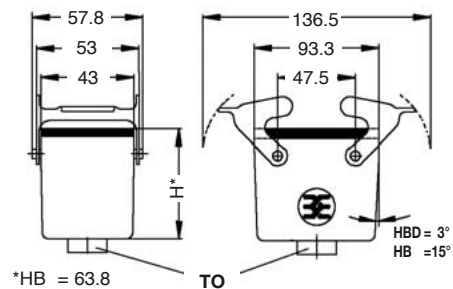
Coupling hood HB-16 / HBD-40

Side locking



KVU

Dimensions



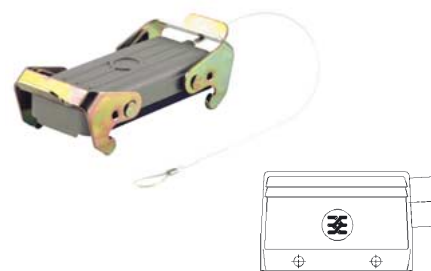
*HB = 63.8
HBD = 78.8

Version	Type	Cat. No.	Qty.
Standard housings, metric thread			
1 x M 25 thread	HDC HBD40 KVU 1xM25G	1787200000	2
1 x M 32 thread	HDC HBD40 KVU 1xM32G	1787190000	2
1 x M 25 thread	HDC HB16 KVU 1xM25G	1788280000	2
Standard housings, PG thread			
1 x Pg21 complete	HDC-HB-16-KVU1/21P	1208900000	2
1 x Pg21 sleeve	HDC-HB-16-KVU1/21	1657270000	2
1 x Pg21 complete	HDC-HBD-40-KVU1/21P	1657300000	2
1 x Pg21 sleeve	HDC-HBD-40-KVU1/21	1657310000	2
1 x Pg29 complete	HDC-HBD-40-KVU1/29P	1657320000	2

KVU = Coupling hood, side locking

Cover for plug hoods

Cover with cord



Type	Cat. No.	Qty.
Plastic cover		
HDC-HB-16-DT	1665270000	2

Housings Group Size 6

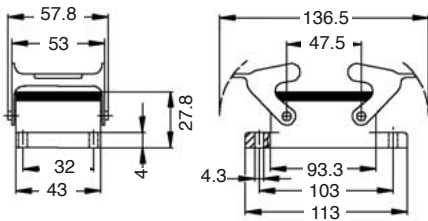
Bulkhead housing HB-16

Side locking



AVU

Dimensions

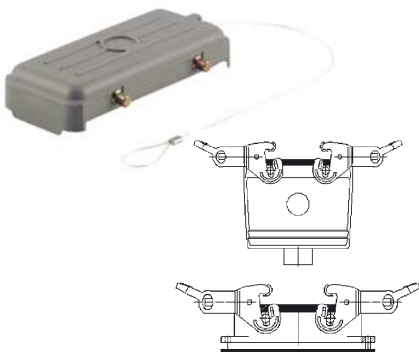


Version	Type	Cat. No.	Qty.
Standard housings			
	HDC-HB-16-AVU	120860000	5

AVU = Bulkhead housing, side locking

Cover for lower side with side locking

Cover with cord



Type	Cat. No.	Qty.
Plastic cover		
HDC-HB-16-DB	166526000	2

For accessories see section "Accessories"

Housings Group Size 6

Plug hood HB-16 / HBD-40

Side locking

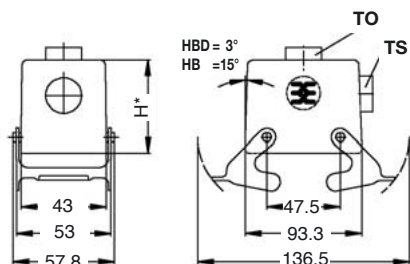


TSVO



TOVO

Dimensions



*HB = 61
HBD = 76

Version	Type	Cat. No.	Qty.
Standard housings, metric thread			
1 x M 25 sleeve	HDC HB16 TSVO 1xM25	1788190000	2
1 x M 25 thread	HDC HB16 TOVO 1xM25G	1788220000	2
1 x M 25 thread	HDC HBD40 TSVO 1xM25G	1787030000	2
1 x M 32 thread	HDC HBD40 TSVO 1xM32G	1787020000	2
1 x M 25 thread	HDC HBD40 TOVO 1xM25G	1787090000	2
1 x M 32 thread	HDC HBD40 TOVO 1xM32G	1787080000	2
Standard housings, PG thread			
1 x Pg21 complete	HDC-HB-16-TSVO1/21P	1209100000	2
1 x Pg21 sleeve	HDC-HB-16-TSVO1/21	1657380000	2
1 x Pg21 complete	HDC-HB-16-TOVO1/21P	1209000000	2
1 x Pg21 sleeve	HDC-HB-16-TOVO1/21	1657490000	2
1 x Pg21 complete	HDC-HBD-40-TSVO1/21P	1657410000	2
1 x Pg21 sleeve	HDC-HBD-40-TSVO1/21	1657420000	2
1 x Pg29 complete	HDC-HBD-40-TSVO1/29P	1657430000	2
1 x Pg21 complete	HDC-HBD-40-TOVO1/21P	1657520000	2
1 x Pg29 complete	HDC-HBD-40-TOVO1/29P	1657540000	2
1 x Pg29 sleeve	HDC-HBD-40-TOVO1/29	1657550000	2

TSVO = Plug hood; Side cable entry, side locking
TOVO = Plug hood; Top cable entry, side locking

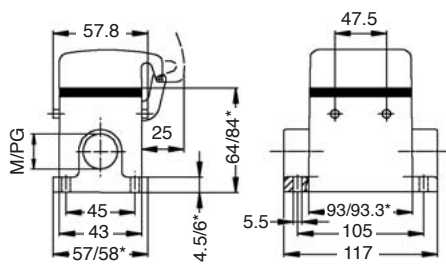
Base housing HB-16 / HBD-40

Side locking upper side



SDVO

Dimensions



Version	Type	Cat. No.	Qty.
Standard housings with cover, metric thread			
2 x M 25 thread	HDC HB16 SDVO 2xM25G	1788260000	2
2 x M 25 thread	HDC HBD40 SDVO 2xM25G	1787160000	2
2 x M 32 thread	HDC HBD40 SDVO 2xM32G	1787150000	2
Standard housings with cover, PG thread			
1 x Pg21 complete	HDC-HB-16-SDVO1/21P	1209300000	2
2 x Pg21 complete	HDC-HB-16-SDVO2/21P	1209400000	2
1 x Pg21 sleeve	HDC-HB-16-SDVO2/21	1657640000	2
1 x Pg21 complete	HDC-HBD-40-SDVO1/21P	1657690000	2
1 x Pg21 sleeve	HDC-HBD-40-SDVO1/21	1657700000	2
2 x Pg21 complete	HDC-HBD-40-SDVO2/21P	1657710000	2

SDVO = Base housing with cover, side locking upper side

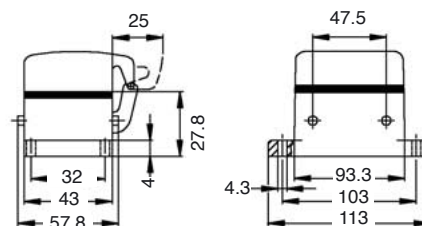
Bulkhead housing HB-16

Side locking upper side



ADVO

Dimensions

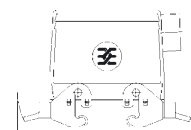


Version	Type	Cat. No.	Qty.
Standard housings			
	HDC-HB-16-ADVO	1209200000	2

ADVL = Bulkhead housing with cover, side locking

Cover for plug hoods with side locking

Cover with cord



Type	Cat. No.	Qty.
Plastic cover		
HDC-HB-16-DBP	1665620000	5

For accessories see section "Accessories"

Housings Group Size 6

Plug hood HB-16 / HBD-40

End locking / lower side / high version

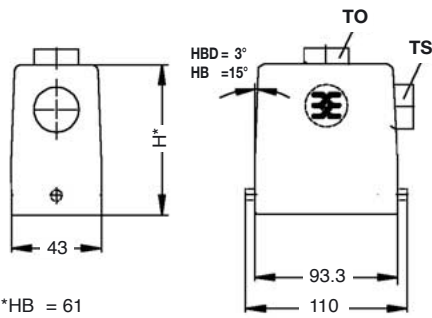


TOVL



TSVL

Dimensions



*HB = 61
HBD= 76

Version	Type	Cat. No.	Qty.
Standard housings, metric thread			
1 x M 25 sleeve	HDC HB16 TSVL 1xM25	1788200000	5
1 x M 25 thread	HDC HB16 TOVL 1xM25G	1788230000	5
1 x M 32 thread	HDC HB16 TSVL 1xM32G	1804640000	5
1 x M 32 thread	HDC HB16 TOVL 1xM32G	1804630000	5
1 x M 25 thread	HDC HBD40 TSVL 1xM25G	1787050000	5
1 x M 32 thread	HDC HBD40 TSVL 1xM32G	1787040000	5
1 x M 32 thread	HDC HBD40 TOVL 1xM32G	1787100000	5
Standard housings, PG thread			
1 x Pg21 complete	HDC-HB-16-TSVL1/21P	1209600000	5
1 x Pg21 sleeve	HDC-HB-16-TSVL1/21	1657850000	5
1 x Pg21 complete	HDC-HB-16-TOVL1/21P	1209500000	5
1 x Pg21 sleeve	HDC-HB-16-TOVL1/21	1657960000	5
1 x Pg21 complete	HDC-HBD-40-TSVL1/21P	1657880000	5
1 x Pg21 sleeve	HDC-HBD-40-TSVL1/21	1657890000	5
1 x Pg29 complete	HDC-HBD-40-TSVL1/29P	1657900000	5
1 x Pg29 sleeve	HDC-HBD-40-TSVL1/29	1657910000	5
1 x Pg21 complete	HDC-HBD-40-TOVL1/21P	1657990000	5
1 x Pg21 sleeve	HDC-HBD-40-TOVL1/21	1658000000	5
1 x Pg29 complete	HDC-HBD-40-TOVL1/29P	1658010000	5
1 x Pg29 sleeve	HDC-HBD-40-TOVL1/29	1658020000	5

TSVL = Plug hood; Side cable entry, end locking lower side
TOVL = Plug hood; Top cable entry, end locking lower side

Base housing HB-16 / HBD-40

End locking with/without cover

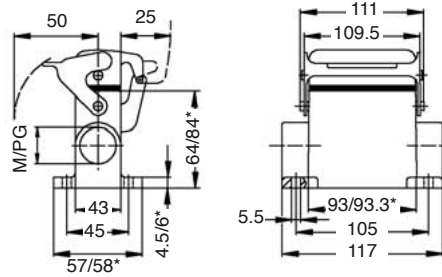


SVL



SDVL

Dimensions



*HB/HBD

Version	Type	Cat. No.	Qty.
Standard housings, metric thread			
2 x M 25 thread	HDC HB16 SVL 2xM25G	1788250000	2
2 x M 25 thread	HDC HBD40 SVL 2xM25G	1787140000	2
2 x M 32 thread	HDC HBD40 SVL 1xM32G	1804660000	2
2 x M 32 thread	HDC HBD40 SVL 2xM32G	1787130000	2
2 x M 25 thread	HDC HB16 SDVL 2xM25G	1788270000	2
2 x M 25 thread	HDC HBD40 SDVL 2xM25G	1787180000	2
2 x M 32 thread	HDC HBD40 SDVL 2xM32G	1787170000	2
Standard housings, PG thread			
1 x Pg21 complete	HDC-HB-16-SVL1/21P	1209800000	2
1 x Pg21 sleeve	HDC-HB-16-SVL1/21	1658110000	2
2 x Pg21 complete	HDC-HB-16-SVL2/21P	1209900000	2
2 x Pg21 sleeve	HDC-HB-16-SVL2/21	1658120000	2
1 x Pg21 complete	HDC-HB-16-SDVL1/21P	1210200000	2
1 x Pg21 sleeve	HDC-HB-16-SDVL1/21	1658320000	2
2 x Pg21 complete	HDC-HB-16-SDVL2/21P	1210300000	2
2 x Pg21 sleeve	HDC-HB-16-SDVL2/21	1658330000	2
1 x Pg21 complete	HDC-HBD-40-SDVL1/21P	1658370000	2
1 x Pg29 complete	HDC-HBD-40-SDVL1/29P	1658410000	2
2 x Pg29 complete	HDC-HBD-40-SDVL2/29P	1658430000	2

SVL = Base housing, end locking
SDVL = Base housing with cover, end locking

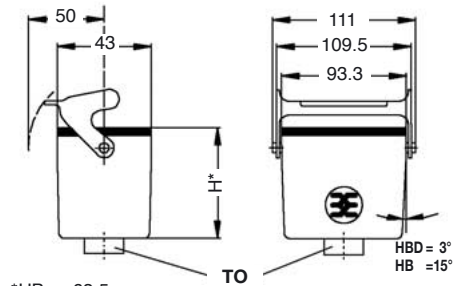
Coupling hood HB-16 / HBD-40

End locking



KVL

Dimensions



*HB = 63.5
HBD= 78.5

Version	Type	Cat. No.	Qty.
Standard housings, metric thread			
1 x M 25 thread	HDC HB16 KVL 1xM25G	1788290000	2
1 x M 25 thread	HDC HBD40 KVL 1xM25G	1787220000	2
1 x M 32 thread	HDC HBD40 KVL 1xM32G	1787210000	2
Standard housings, PG thread			
1 x Pg21 complete	HDC-HB-16-KVL1/21P	1210000000	2
1 x Pg29 complete	HDC-HBD-40-KVL1/29P	1658580000	2

KVL = Coupling hood, end locking

For accessories see section "Accessories"

Housings Group Size 6

Plug hood HBD-40

Centre locking



TSVZ

Base housing HB-16 / HBD-40

Centre locking upper side



SVZ

Bulkhead housing HB-16

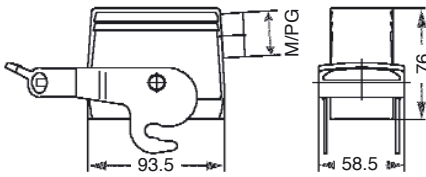
Centre locking upper side



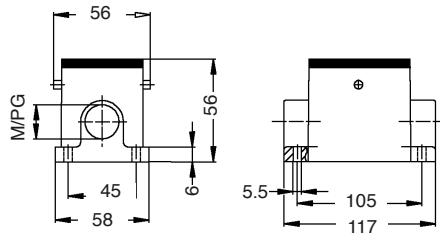
AVZ

Series HE

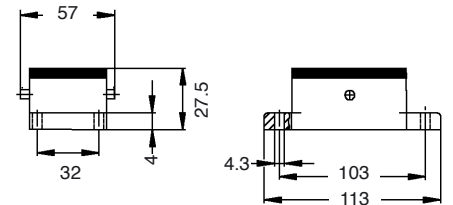
Dimensions



Dimensions



Dimensions



Version	Type	Cat. No.	Qty.
Standard housings, PG thread			
1 x Pg21	complete HDC-HBD-40-TSVZ1/21P	1658680000	2

Version	Type	Cat. No.	Qty.
Standard housings, PG thread			
1 x Pg21	complete HDC-HB-16-SVZ1/21P	1600610000	2
1 x Pg21	sleeve HDC-HB-16-SVZ1/21	1658860000	2
2 x Pg21	complete HDC-HB-16-SVZ2/21P	1658870000	2

Version	Type	Cat. No.	Qty.
Standard housings			
	HDC-HB-16-AVZ	1611360000	2

TSVZ = Plug hood; Side cable entry, centre locking

SVZ = Base housing, centre locking

AVZ = Bulkhead housing, centre locking

NEW 500 V

Inserts Group Size 8

Tension clamp connection HE-24

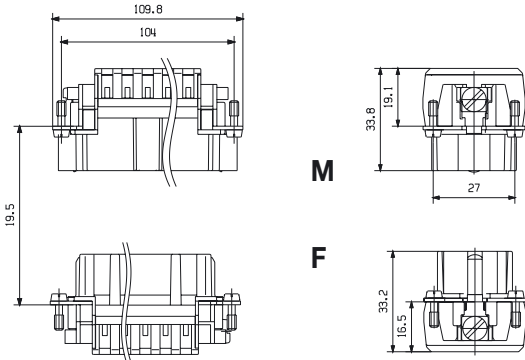
24-pole

500 V-/max 16 A

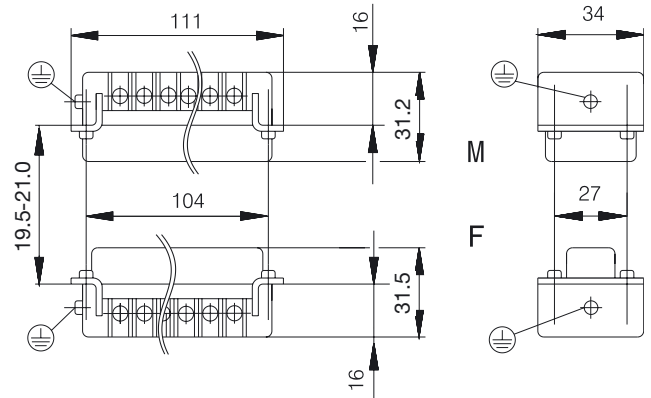
Screw connection HE-24

24-pole

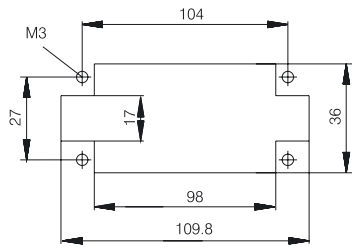
500 V-/max 16 A



Cut-out for contact inserts used without housings



Cut-out for contact inserts used without housings

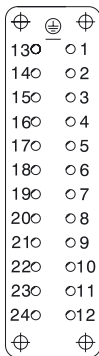


Contact layout

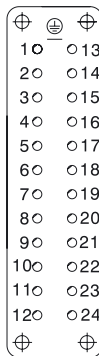
view from cable side

M

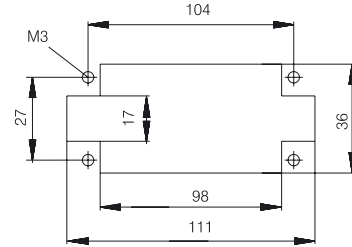
F



Male insert (M)



Female insert (F)

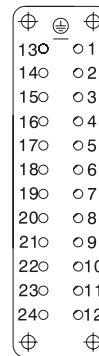


Contact layout

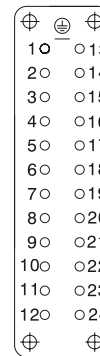
view from cable side

M

F



Male insert (M)



Female insert (F)

Version	Type	Cat. No.	Qty.
Male	HDC-HE-24SZF	1745850000	10
Female	HDC-HE-24BZF	1745790000	10

Version	Type	Cat. No.	Qty.
Male	HDC-HE-24SS	1211100000	5
Female	HDC-HE-24BS	1211300000	5

For accessories see section "Accessories"

Inserts Group Size 8

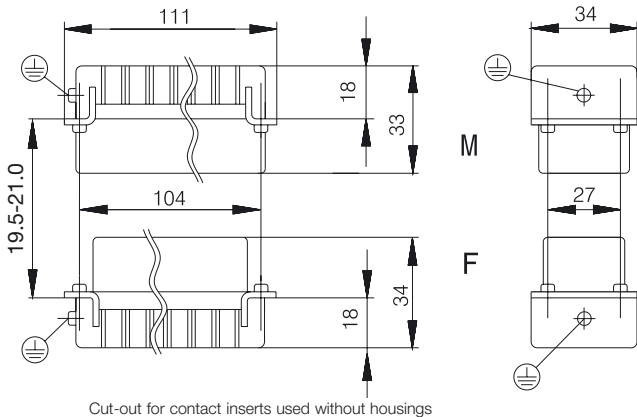
NEW 500 V

Crimp connection HE-24

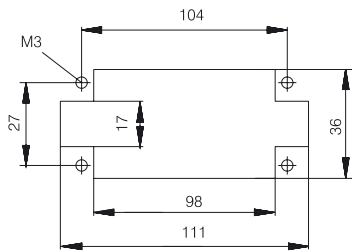
24-pole

500 V-/max 16 A

Turned crimp contacts



Cut-out for contact inserts used without housings

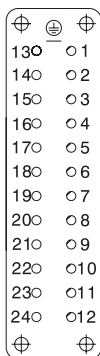


Contact layout

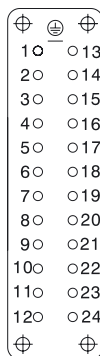
view from cable side

M

F



Male insert (M)

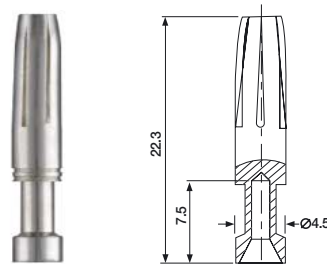
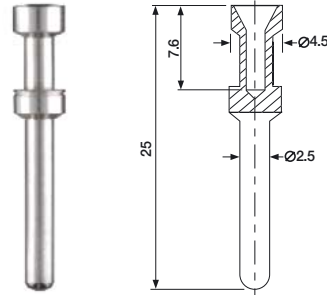


Female insert (F)

Version	Type	Cat. No.	Qty.
For turned contacts			
Male	HDC-HE-24SCM	1211500000	5
Female	HDC-HE-24BCM	1211600000	5

For crimp contacts see page 43

For accessories see section "Accessories"



Turned crimp contacts for HE housing inserts and HE modules

Male crimps

Cross-section mm ²	AWG	Plating	Type	Cat. No.	Qty.
0.5	20	Au	HDC-C-HE-SM0.5Au	1651420000	100
		Ag	HDC-C-HE-SM0.5Ag	1200500000	100
0.75 - 1.00	18	Au	HDC-C-HE-SM0.75-1.00Au	1651430000	100
		Ag	HDC-C-HE-SM0.75-1.00Ag	1200600000	100
1.5	16	Au	HDC-C-HE-SM1.5Au	1651440000	100
		Ag	HDC-C-HE-SM1.5Ag	1200700000	100
2.5	14	Au	HDC-C-HE-SM2.5Au	1651450000	100
		Ag	HDC-C-HE-SM2.5Ag	1200800000	100
4.0	12	Au	HDC-C-HE-SM4.0Au	1651460000	100
		Ag	HDC-C-HE-SM4.0Ag	1200900000	100

Female crimps

Cross-section mm ²	AWG	Plating	Type	Cat. No.	Qty.
0.5	20	Au	HDC-C-HE-BM0.5Au	1651470000	100
		Ag	HDC-C-HE-BM0.5Ag	1201100000	100
0.75 - 1.00	18	Au	HDC-C-HE-BM0.75-1.00Au	1651480000	100
		Ag	HDC-C-HE-BM0.75-1.00Ag	1201200000	100
1.5	16	Au	HDC-C-HE-BM1.5Au	1651490000	100
		Ag	HDC-C-HE-BM1.5Ag	1201300000	100
2.5	14	Au	HDC-C-HE-BM2.5Au	1651500000	100
		Ag	HDC-C-HE-BM2.5Ag	1201400000	100
4.0	12	Au	HDC-C-HE-BM4.0Au	1651510000	100
		Ag	HDC-C-HE-BM4.0Ag	1201500000	100

Housings Group Size 8

Plug hood HB-24

Side locking lower side

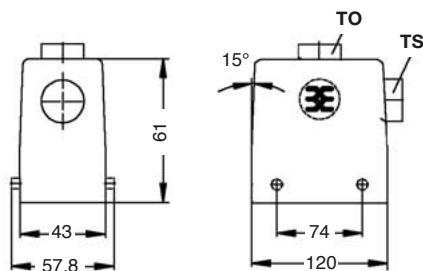


TOVU



TSVU

Dimensions



Version	Type	Cat. No.	Qty.
Standard housings, metric thread			
1 x M 25 thread	HDC HB24 TOVU 1xM25G	1787820000	2
1 x M 32 sleeve	HDC HB24 TSVU 1xM32	1787750000	2
1 x M 25 sleeve	HDC HB24 TSVU 1xM25	1787760000	2
1 x M 32 thread	HDC HB24 TOVU 1xM32G	1787810000	2
Standard housings, PG thread			
1 x Pg21 complete	HDC-HB-24-TSVU1/21P	1212100000	2
1 x Pg21 sleeve	HDC-HB-24-TSVU1/21	1661230000	2
1 x Pg29 complete	HDC-HB-24-TSVU1/29P	1212200000	2
1 x Pg29 sleeve	HDC-HB-24-TSVU1/29	1661240000	2
1 x Pg21 complete	HDC-HB-24-TOVU1/21P	1211900000	2
1 x Pg21 sleeve	HDC-HB-24-TOVU1/21	1661370000	2
1 x Pg29 complete	HDC-HB-24-TOVU1/29P	1212000000	2
1 x Pg29 sleeve	HDC-HB-24-TOVU1/29	1661380000	2

TOVU = Plug hood; Top cable entry, side locking lower side
TSVU = Plug hood; Side cable entry, side locking lower side

Plug hood HBD-64

Side locking lower side / high version

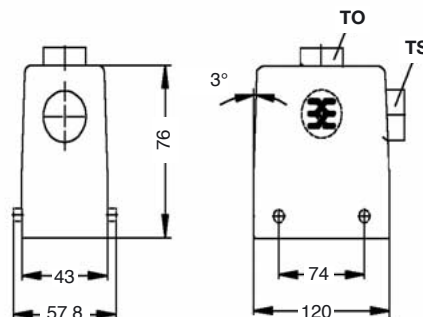


TOVU



TSVU

Dimensions



Version	Type	Cat. No.	Qty.
Standard housings, metric thread			
1 x M 25 thread	HDC HBD64 TSVU 1xM25G	1786780000	2
1 x M 32 thread	HDC HBD64 TSVU 1xM32G	1786770000	2
1 x M 25 thread	HDC HBD64 TOVU 1xM25G	1786840000	2
1 x M 32 thread	HDC HBD64 TOVU 1xM32G	1786830000	2
Standard housings, PG thread			
1 x Pg21 complete	HDC-HBD-64-TSVU1/21P	1661290000	2
1 x Pg21 sleeve	HDC-HBD-64-TSVU1/21	1661300000	2
1 x Pg29 complete	HDC-HBD-64-TSVU1/29P	1661310000	2
1 x Pg29 sleeve	HDC-HBD-64-TSVU1/29	1661320000	2
1 x Pg21 complete	HDC-HBD-64-TOVU1/21P	1661430000	2
1 x Pg21 sleeve	HDC-HBD-64-TOVU1/21	1661440000	2
1 x Pg29 complete	HDC-HBD-64-TOVU1/29P	1661450000	2
1 x Pg29 sleeve	HDC-HBD-64-TOVU1/29	1661460000	2

TOVU = Plug hood; Top cable entry, side locking lower side
TSVU = Plug hood; Side cable entry, side locking lower side

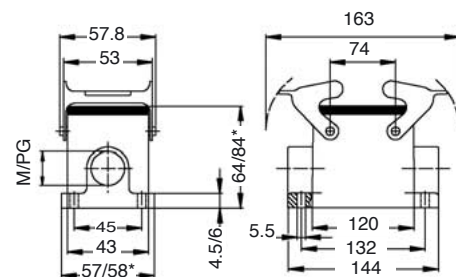
Base housing HB-24 / HBD-64

Side locking



SVU

Dimensions



*HB/HBD

Version	Type	Cat. No.	Qty.
Standard housings, metric thread			
2 x M 25 thread	HDC HB24 SVU 2xM25G	1787870000	2
2 x M 25 thread	HDC HBD64 SVU 2xM25G	1786890000	2
2 x M 32 thread	HDC HBD64 SVU 2xM32G	1786880000	2
Standard housings, PG thread			
1 x Pg21 complete	HDC-HB-24-SVU1/21P	1212500000	2
1 x Pg21 sleeve	HDC-HB-24-SVU1/21	1661510000	2
2 x Pg21 complete	HDC-HB-24-SVU2/21P	1212600000	2
2 x Pg21 sleeve	HDC-HB-24-SVU2/21	1661520000	2
1 x Pg21 complete	HDC-HBD-64-SVU1/21P	1661560000	2
1 x Pg21 sleeve	HDC-HBD-64-SVU1/21	1661570000	2
1 x Pg29 complete	HDC-HBD-64-SVU1/29P	1661600000	2
1 x Pg29 sleeve	HDC-HBD-64-SVU1/29	1661610000	2
2 x Pg21 complete	HDC-HBD-64-SVU2/21P	1661580000	2
2 x Pg21 sleeve	HDC-HBD-64-SVU2/21	1661590000	2
2 x Pg29 complete	HDC-HBD-64-SVU2/29P	1661620000	2
2 x Pg29 sleeve	HDC-HBD-64-SVU2/29	1661630000	2

SVU = Base housing, side locking

For accessories see section "Accessories"

Housings Group Size 8

Plug hood HB-24 / HBD-64

Side locking upper side

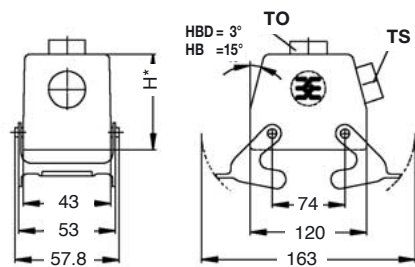


TOVO



TSVO

Dimensions



*HB = 61
HBD = 76

Version	Type	Cat. No.	Qty.
Standard housings, metric thread			
1 x M 25 sleeve	HDC HB24 TSVO 1xM25	1787780000	2
1 x M 32 sleeve	HDC HB24 TSVO 1xM32	1787770000	2
1 x M 25 thread	HDC HB24 TOVO 1xM25G	1787840000	2
1 x M 32 thread	HDC HB24 TOVO 1xM32G	1787830000	2
1 x M 25 thread	HDC HBD64 TOVO 1xM25G	1786850000	2
1 x M 32 thread	HDC HBD64 TOVO 1xM32G	1804670000	2
1 x M 25 thread	HDC HBD64 TSVO 1xM25G	1786800000	2
1 x M 32 thread	HDC HBD64 TSVO 1xM32G	1786790000	2
Standard housings, PG thread			
1 x Pg21 complete	HDC-HB-24-TSVO1/21P	1213100000	2
1 x Pg21 sleeve	HDC-HB-24-TSVO1/21	1661860000	2
1 x Pg29 complete	HDC-HB-24-TSVO1/29P	1661870000	2
1 x Pg29 sleeve	HDC-HB-24-TSVO1/29	1661880000	2
1 x Pg21 complete	HDC-HB-24-TOVO1/21P	1212900000	2
1 x Pg21 sleeve	HDC-HB-24-TOVO1/21	1662010000	2
1 x Pg29 complete	HDC-HB-24-TOVO1/29P	1213000000	2
1 x Pg29 sleeve	HDC-HB-24-TOVO1/29	1662020000	2
1 x Pg21 complete	HDC-HBD-64-TOVO1/21P	1662070000	2
1 x Pg21 sleeve	HDC-HBD-64-TOVO1/21	1662080000	2
1 x Pg29 complete	HDC-HBD-64-TOVO1/29P	1662090000	2
1 x Pg29 sleeve	HDC-HBD-64-TOVO1/29	1662100000	2
1 x Pg21 complete	HDC-HBD-64-TSVO1/21P	1661930000	2
1 x Pg21 sleeve	HDC-HBD-64-TSVO1/21	1661940000	2
1 x Pg29 complete	HDC-HBD-64-TSVO1/29P	1661950000	2
1 x Pg29 sleeve	HDC-HBD-64-TSVO1/29	1661960000	2

TOVO = Plug hood; Top cable entry, side locking
TSVO = Plug hood; Side cable entry, side locking

Base housing HB-24 / HBD-64

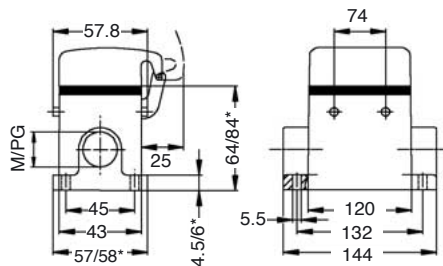
Side locking upper side

Group size 8



SDVO

Dimensions



*HB/HBD

Version	Type	Cat. No.	Qty.
Standard housings with cover, metric thread			
2 x M 25 thread	HDC HB24 SDVO 2xM25G	1787890000	2
2 x M 25 thread	HDC HBD64 SDVO 2xM25G	1786930000	2
2 x M 32 thread	HDC HBD64 SDVO 2xM32G	1786920000	2
Standard housings with cover, metric thread			
1 x Pg21 complete	HDC-HB-24-SDVO1/21P	1213400000	2
1 x Pg21 sleeve	HDC-HB-24-SDVO1/21	1662170000	2
2 x Pg21 complete	HDC-HB-24-SDVO2/21P	1213500000	2
2 x Pg21 sleeve	HDC-HB-24-SDVO2/21	1662180000	2
1 x Pg29 complete	HDC-HBD-64-SDVO1/29P	1662270000	2
1 x Pg29 sleeve	HDC-HBD-64-SDVO1/29	1662280000	2
2 x Pg21 complete	HDC-HBD-64-SDVO2/21P	1662250000	2

SDVO = Base housing with cover, side locking upper side

Bulkhead housing HB-24

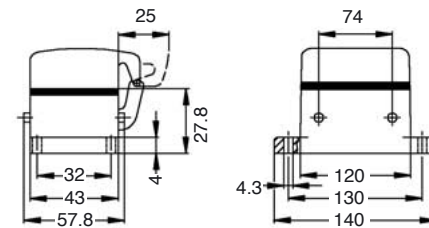
Side locking upper side

Group size 8



ADVO

Dimensions

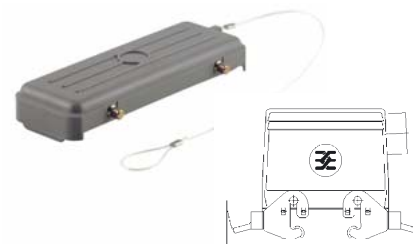


Version	Type	Cat. No.	Qty.
Standard housings with cover			
	HDC-HB-24-ADVO	1213300000	2

ADVO = Bulkhead housing with cover, side locking upper side

Cover for plug hoods with side locking

Cover with cord



Type	Cat. No.	Qty.
Plastic cover		
HDC-HB-24-DBP	1665650000	2

For accessories see section "Accessories"

Housings Group Size 8

Plug hood HB-24

End locking lower side

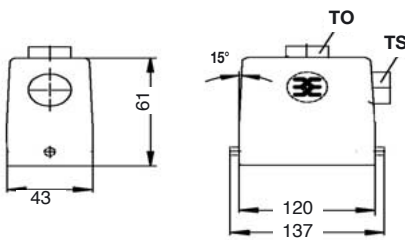


TOVL



TSVL

Dimensions



Version	Type	Cat. No.	Qty.
Standard housings, metric thread			
1 x M 25 sleeve	HDC HB24 TSVL 1xM25	1787800000	2
1 x M 32 sleeve	HDC HB24 TSVL 1xM32	1787790000	2
1 x M 25 thread	HDC HB24 TOVL 1xM25G	1787860000	2
1 x M 32 thread	HDC HB24 TOVL 1xM32G	1787850000	2
Standard housings, PG thread			
1 x Pg21 complete	HDC-HB-24-TSVL1/21P	1213800000	2
1 x Pg21 sleeve	HDC-HB-24-TSVL1/21	1662390000	2
1 x Pg29 complete	HDC-HB-24-TSVL1/29P	1662400000	2
1 x Pg29 sleeve	HDC-HB-24-TSVL1/29	1662410000	2
1 x Pg21 complete	HDC-HB-24-TOVL1/21P	1213600000	2
1 x Pg21 sleeve	HDC-HB-24-TOVL1/21	1662540000	2
1 x Pg29 complete	HDC-HB-24-TOVL1/29P	1213700000	2
1 x Pg29 sleeve	HDC-HB-24-TOVL1/29	1662550000	2

TOVL Plug hood; Top cable entry, end locking lower side
TSVL = Plug hood; Side cable entry, end locking lower side

Plug hood HBD-64

End locking / lower side / high version

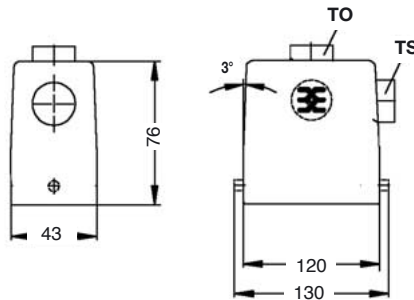


TOVL



TSVL

Dimensions



Version	Type	Cat. No.	Qty.
Standard housings, metric thread			
1 x M 25 thread	HDC HBD64 TSVL 1xM25G	1786820000	2
1 x M 32 thread	HDC HBD64 TSVL 1xM32G	1786810000	2
1 x M 25 thread	HDC HBD64 TOVL 1xM25G	1786870000	2
1 x M 32 thread	HDC HBD64 TOVL 1xM32G	1786860000	2
Standard housings, PG thread			
1 x Pg21 complete	HDC-HBD-64-TSVL1/21P	1662460000	2
1 x Pg21 sleeve	HDC-HBD-64-TSVL1/21	1662470000	2
1 x Pg29 complete	HDC-HBD-64-TSVL1/29P	1662480000	2
1 x Pg29 sleeve	HDC-HBD-64-TSVL1/29	1662490000	2
1 x Pg29 complete	HDC-HBD-64-TOVL1/29P	1662620000	2
1 x Pg29 sleeve	HDC-HBD-64-TOVL1/29	1662630000	2

TOVL Plug hood; Top cable entry, end locking lower side
TSVL = Plug hood; Side cable entry, end locking lower side

Base housing HB-24 / HBD-64

End locking / with/without cover

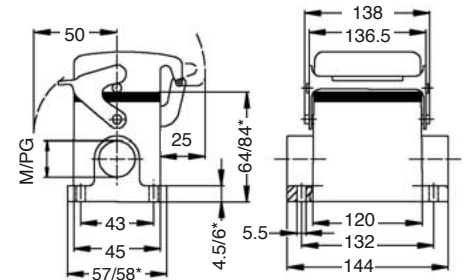


SVL



SDVL

Dimensions



*HB/HBD

Version	Type	Cat. No.	Qty.
Standard housings, metric thread			
2 x M 25 thread	HDC HB24 SVL 2xM25G	1787880000	2
2 x M 25 thread	HDC HBD64 SVL 2xM25G	1786910000	2
2 x M 32 thread	HDC HBD64 SVL 2xM32G	1786900000	2
2 x M 25 thread	HDC HBD64 SDVL 2xM25G	1786950000	2
2 x M 32 thread	HDC HBD64 SDVL 2xM32G	1786940000	2
Standard housings with cover, metric thread			
2 x M 25 thread	HDC HB24 SDVL 2xM25G	1787900000	2
Standard housings, PG thread			
1 x Pg21 complete	HDC-HB-24-SVL1/21P	1214000000	2
1 x Pg21 sleeve	HDC-HB-24-SVL1/21	1662710000	2
2 x Pg21 complete	HDC-HB-24-SVL2/21P	1214100000	2
2 x Pg21 sleeve	HDC-HB-24-SVL2/21	1662720000	2
2 x Pg21 complete	HDC-HBD-64-SVL2/21P	1662780000	2
Standard housings with cover, PG thread			
1 x Pg21 complete	HDC-HB-24-SDVL1/21P	1214400000	2
1 x Pg21 sleeve	HDC-HB-24-SDVL1/21	1662920000	2
2 x Pg21 complete	HDC-HB-24-SDVL2/21P	1214500000	2
2 x Pg29 sleeve	HDC-HBD-64-SDVL2/29	1663040000	2
1 x Pg21 complete	HDC-HBD-64-SDVL1/21P	1662970000	2
1 x Pg29 complete	HDC-HBD-64-SDVL1/29P	1663010000	2

SVL = Base housing, end locking
SDVL = Base housing with cover, end locking

For accessories see section "Accessories"

Housings Group Size 8

Coupling hood HB-24 / HBD-64

End locking



KVL

Bulkhead housing HB-24

End locking, with/without cover

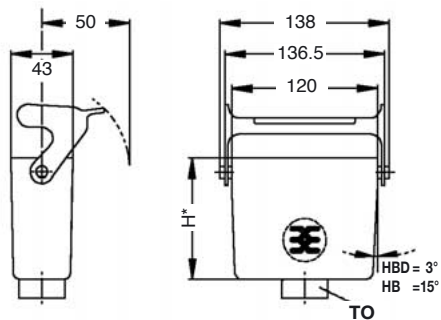


AVL



ADVL

Dimensions

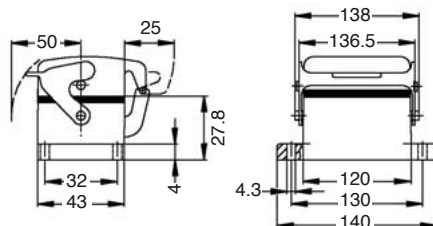


*HB = 63.8
HBD = 78.8

Version	Type	Cat. No.	Qty.
Standard housings, metric thread			
1 x M 25 thread	HDC HB24 KVL 1xM25G	1787940000	2
1 x M 32 thread	HDC HB24 KVL 1xM32G	1787930000	2
1 x M 25 thread	HDC HBD64 KVL 1xM25G	1786990000	2
1 x M 32 thread	HDC HBD64 KVL 1xM32G	1786980000	2
Standard housings, PG thread			
1 x Pg21 complete	HDC-HB-24-KVL1/21P	1663130000	2
1 x Pg29 complete	HDC-HB-24-KVL1/29P	1214200000	2
1 x Pg29 complete	HDC-HBD-64-KVL1/29P	1663220000	2

KVL = Coupling hood, end locking

Dimensions



Version	Type	Cat. No.	Qty.
Standard housings			
	HDC-HB-24-AVL	1213900000	2
Standard housings with cover			
	HDC-HB-24-ADVL	1214300000	2

AVL = Bulkhead housing, end locking

ADVL = Bulkhead housing with cover, end locking

For accessories see section "Accessories"

Housings Group Size 8

Plug hood HBD-64

Centre locking



TSVZ

Base housing HB-24

Centre locking upper side



SVZ

Bulkhead housing HB-24

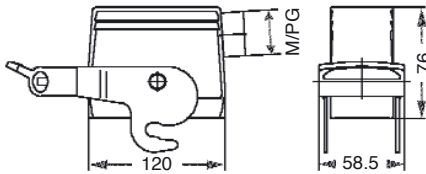
Centre locking



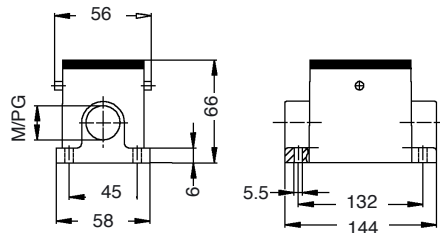
AVZ

Series HE

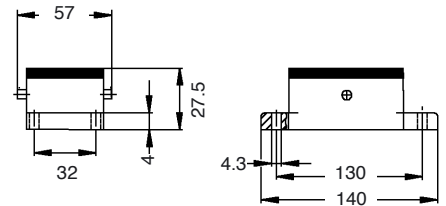
Dimensions



Dimensions



Dimensions



Version	Type	Cat. No.	Qty.
Standard housings, metric thread			
1 x Pg21	complete HDC-HBD-64-TSVZ1/21P	1663360000	2
1 x Pg29	complete HDC-HBD-64-TSVZ1/29P	1603510000	2
1 x Pg29	sleeve HDC-HBD-64-TSVZ1/29	1663390000	2

Version	Type	Cat. No.	Qty.
Standard housings, PG thread			
1 x Pg21	complete HDC-HB-24-SVZ1/21P	1600620000	2

Version	Type	Cat. No.	Qty.
Standard housings			
	HDC-HB-24-AVZ	1611350000	2

TSVZ = Plug hood; Side cable entry, centre locking

SVZ = Base housing, centre locking

AVZ = Bulkhead housing, centre locking

For accessories see section "Accessories"

NEW 500 V

Inserts Group Size 10

Tension clamp connection HE-32

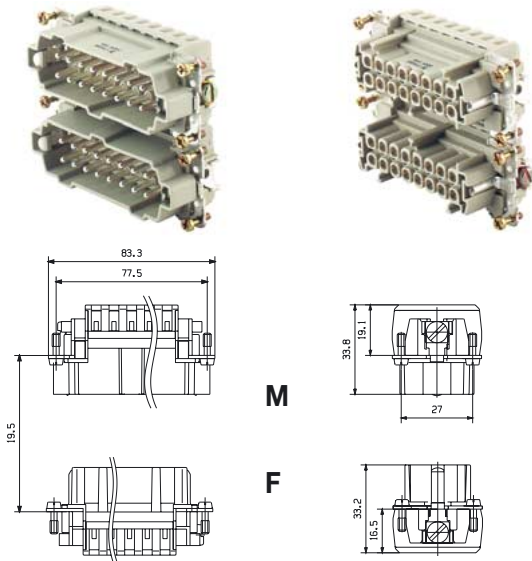
32-pole

500 V-/max 16 A

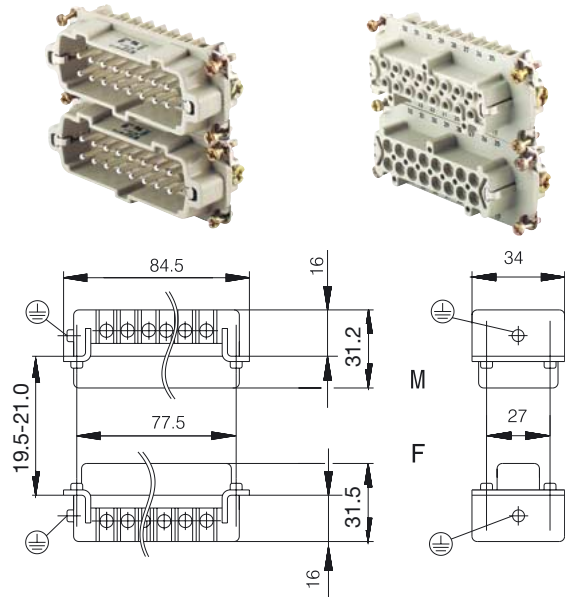
Screw connection HE-32

32-pole

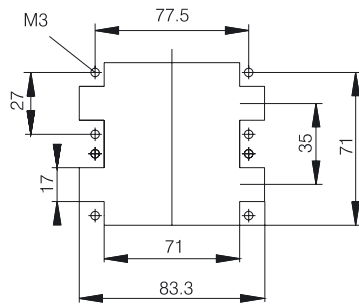
500 V-/max 16 A



Cut-out for contact inserts used without housings



Cut-out for contact inserts used without housings

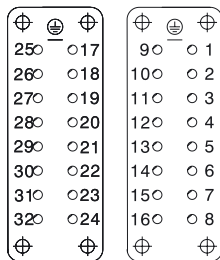


Contact layout

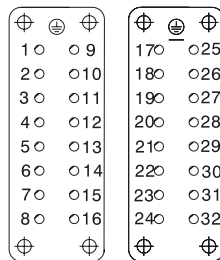
view from cable side

M

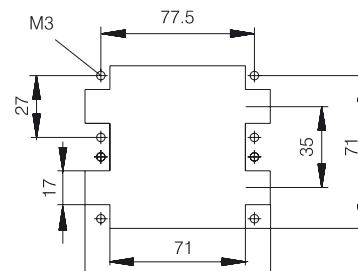
F



Male insert (M)



Female insert (F)

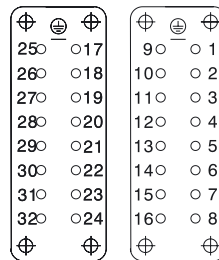


Contact layout

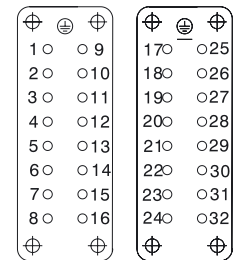
view from cable side

M

F



Male insert (M)



Female insert (F)

Version	Type	Cat. No.	Qty.
Male	HDC-HE-16SZF	1745840000	10
Male	HDC-HE-16SZF 17-32	1745860000	10
Female	HDC-HE-16BZF	1745780000	10
Female	HDC-HE-16BZF 17-32	1745800000	10

Version	Type	Cat. No.	Qty.
Male	HDC-HE-16SS	1207500000	5
Male	HDC-HE-16SS 17-32	1215700000	5
Female	HDC-HE-16BS	1207700000	5
Female	HDC-HE-16BS 17-32	1216100000	5

Please order two contact inserts per housing

Please order two contact inserts per housing

For accessories see section "Accessories"

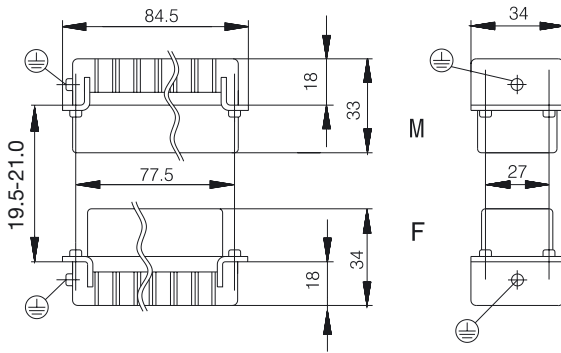
Inserts Group Size 10

NEW 500 V

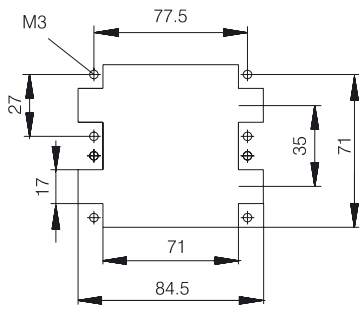
Crimp connection HE-32

32-pole

500 V-/max 16 A

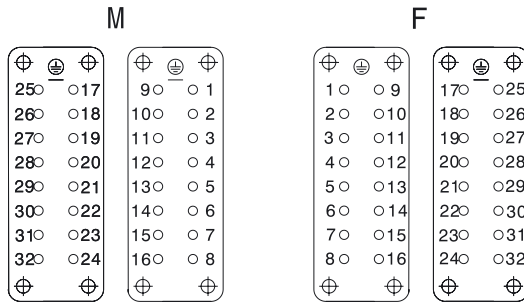


Cut-out for contact inserts used without housings



Contact layout

view from cable side



Male insert (M)

Female insert (F)

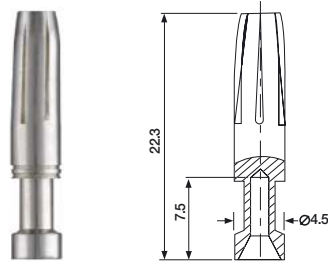
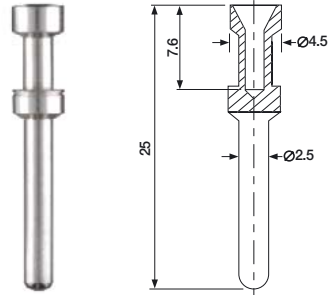
Version	Type	Cat. No.	Qty.
For turned contacts			
Male	HDC-HE-16SCM	1207900000	5
Male	HDC-HE-16SCM 17-32	1216500000	5
Female	HDC-HE-16BCM	1208000000	5
Female	HDC-HE-16BCM 17-32	1216700000	5

Please order two contact inserts per housing

For crimp contacts see page 51

For accessories see section "Accessories"

Turned crimp contacts



Turned crimp contacts for HE housing inserts and HE modules

Male crimps

Cross-section mm ²	AWG	Plating	Type	Cat. No.	Qty.
0.5	20	Au	HDC-C-HE-SM0.5Au	1651420000	100
	20	Ag	HDC-C-HE-SM0.5Ag	1200500000	100
0.75 - 1.00	18	Au	HDC-C-HE-SM0.75-1.00Au	1651430000	100
	18	Ag	HDC-C-HE-SM0.75-1.00Ag	1200600000	100
1.5	16	Au	HDC-C-HE-SM1.5Au	1651440000	100
	16	Ag	HDC-C-HE-SM1.5Ag	1200700000	100
2.5	14	Au	HDC-C-HE-SM2.5Au	1651450000	100
	14	Ag	HDC-C-HE-SM2.5Ag	1200800000	100
4.0	12	Au	HDC-C-HE-SM4.0Au	1651460000	100
	12	Ag	HDC-C-HE-SM4.0Ag	1200900000	100

Female crimps

Cross-section mm ²	AWG	Plating	Type	Cat. No.	Qty.
0.5	20	Au	HDC-C-HE-BM0.5Au	1651470000	100
	20	Ag	HDC-C-HE-BM0.5Ag	1201100000	100
0.75 - 1.00	18	Au	HDC-C-HE-BM0.75-1.00Au	1651480000	100
	18	Ag	HDC-C-HE-BM0.75-1.00Ag	1201200000	100
1.5	16	Au	HDC-C-HE-BM1.5Au	1651490000	100
	16	Ag	HDC-C-HE-BM1.5Ag	1201300000	100
2.5	14	Au	HDC-C-HE-BM2.5Au	1651500000	100
	14	Ag	HDC-C-HE-BM2.5Ag	1201400000	100
4.0	12	Au	HDC-C-HE-BM4.0Au	1651510000	100
	12	Ag	HDC-C-HE-BM4.0Ag	1201500000	100

Series HE

Housings Group Size 10

Plug hood HB-32

End locking / lower side



TOVL

Base housing HB-32

End locking with/without cover



SVL

Coupling hood HB-32

End locking / with cover

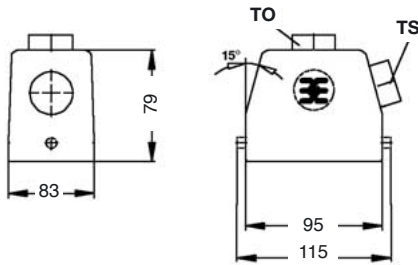


KDVL

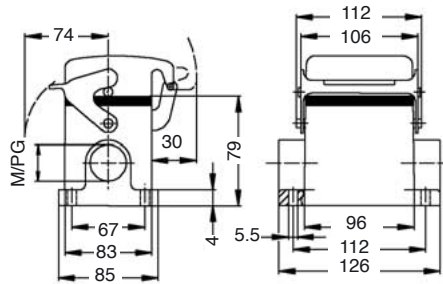


SDVL

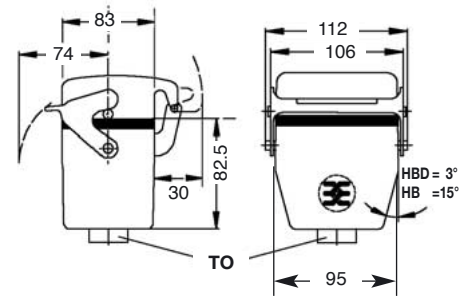
Dimensions



Dimensions



Dimensions



Version	Type	Cat. No.	Qty.
Standard housings, metric thread			
1 x M 32 thread	HDC HB32 TSVL 1xM32G	1788420000	1
1 x M 32 thread	HDC HB32 TOVL 1xM32G	1788450000	1
Standard housings, PG thread			
1 x Pg29 complete	HDC-HB-32-TSVL1/29P	1219300000	1
1 x Pg29 sleeve	HDC-HB-32-TSVL1/29	1667120000	1
1 x Pg29 complete	HDC-HB-32-TOVL1/29P	1219200000	1

Version	Type	Cat. No.	Qty.
Standard housings, metric thread			
2 x M 32 thread	HDC HB32 SVL 2xM32G	1788470000	1
Standard housings with cover, metric thread			
2 x M 32 thread	HDC HB32 SDVL 2xM32G	1788490000	1
Standard housings, PG thread			
1 x Pg29 complete	HDC-HB-32-SVL1/29P	1219600000	1
Standard housings with cover, PG thread			
1 x Pg29 complete	HDC-HB-32-SDVL1/29P	1219900000	1
2 x Pg29 complete	HDC-HB-32-SDVL2/29P	1220000000	1

Version	Type	Cat. No.	Qty.
Standard housings with cover, metric thread			
1 x M 32 thread	HDC HB32 KDVL 1xM32G	1788500000	1

TOVL = Plug hood; Top cable entry, end locking lower side
TSVL = Plug hood; Side cable entry, end locking lower side

SVL = Base housing, end locking
SDVL = Base housing with cover, end locking

KDVL = Coupling hood with cover, end locking

For accessories see section "Accessories"

Housings Group Size 10

Bulkhead housing HB-32

End locking

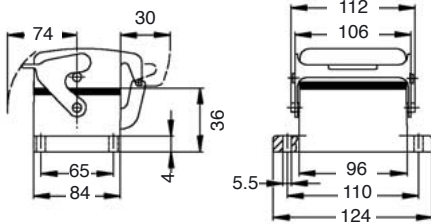


AVL



ADVL

Dimensions



Version	Type	Cat. No.	Qty.
Standard housings			
	HDC-HB-32-AVL	1219500000	1
Standard housings with cover			
	HDC-HB-32-ADVL	1219800000	1

AVL = Bulkhead housing, end locking
ADVL = Bulkhead housing with cover, end locking

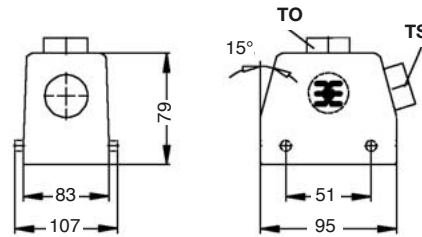
Plug hood HB-32

Side locking lower side



TSVU

Dimensions



Version	Type	Cat. No.	Qty.
Standard housings, metric thread			
1 x M 32 thread	HDC HB32 TSVU 1xM32G	1788400000	1
1 x M 32 thread	HDC HB32 TOVU 1xM32G	1788430000	1
Standard housings, PG thread			
1 x Pg29 complete	HDC-HB-32-TSVU1/29P	1217500000	1
1 x Pg29 sleeve	HDC-HB-32-TSVU1/29	1666840000	1
1 x Pg29 complete	HDC-HB-32-TOVU1/29P	1217300000	1
1 x Pg29 sleeve	HDC-HB-32-TOVU1/29	1666870000	1

TSVU = Plug hood; Side cable entry, side locking lower side
TOVU = Plug hood; Top cable entry, side locking lower side

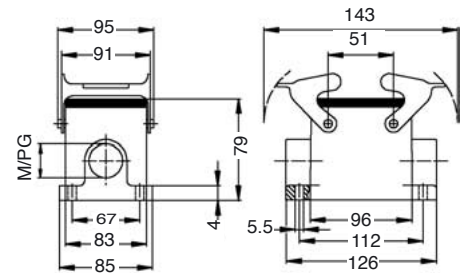
Base housing HB-32

Side locking lower side



SVU

Dimensions



Version	Type	Cat. No.	Qty.
Standard housings, metric thread			
2 x M 32 thread	HDC HB32 SVU 2xM32G	1788460000	1
Standard housings, PG thread			
1 x Pg29 complete	HDC-HB-32-SVU1/29P	1217900000	1
1 x Pg29 sleeve	HDC-HB-32-SVU1/29	1666910000	1
2 x Pg29 complete	HDC-HB-32-SVU2/29P	1218000000	1
2 x Pg29 sleeve	HDC-HB-32-SVU2/29	1666920000	1

SVU = Base housing, side locking

For accessories see section "Accessories"

Housings Group Size 10

Coupling hood HB-32

Side locking

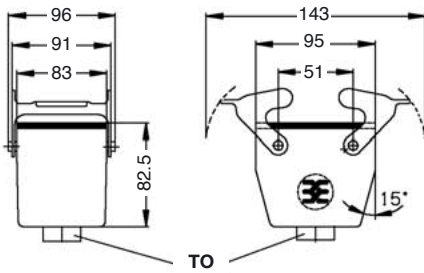


Bulkhead housing HB-32

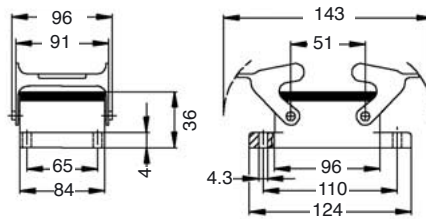
Side locking



Dimensions



Dimensions



Version	Type	Cat. No.	Qty.
Standard housings, PG thread			
1 x Pg29	complete	HDC-HB-32-KVU1/29P	1218100000 1

Version	Type	Cat. No.	Qty.
Standard housings			
	HDC-HB-32-AVU	1217800000	1

KVU = Coupling hood, side locking

AVU = Bulkhead housing, side locking

For accessories see section "Accessories"

Housings Group Size 10

Plug hood HB-32

Side locking

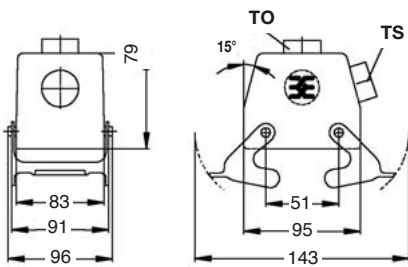


TOVO



TSVO

Dimensions



Version	Type	Cat. No.	Qty.
Standard housings, metric thread			
1 x M 32 thread	HDC HB32 TSVO 1xM32G	1788410000	1
1 x M 32 thread	HDC HB32 TOVO 1xM32G	1788440000	1
Standard housings, PG thread			
1 x Pg29 complete	HDC-HB-32-TSVO1/29P	1218500000	1
1 x Pg29 complete	HDC-HB-32-TOVO1/29P	1218300000	1

TOVO = Plug hood; Top cable entry, side locking
 TSVO = Plug hood; Side cable entry side locking

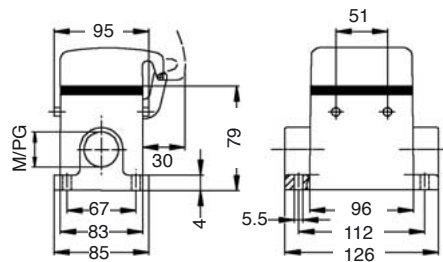
Base housing HB-32

Side locking upper side / with cover



SDVO

Dimensions



Version	Type	Cat. No.	Qty.
Standard housings with cover, metric thread			
2 x M 32 thread	HDC HB32 SDVO 2xM32G	1788480000	1
Standard housings with cover, PG thread			
1 x Pg29 complete	HDC-HB-32-SDVO1/29P	1218900000	1
2 x Pg29 complete	HDC-HB-32-SDVO2/29P	1219000000	1

SDVO = Base housing with cover, side locking upper side

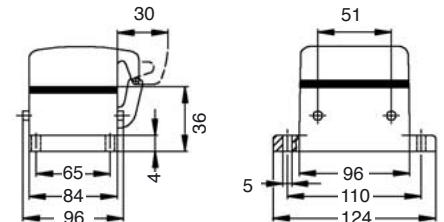
Bulkhead housing HB-32

Side locking upper side / with cover



ADVO

Dimensions



Version	Type	Cat. No.	Qty.
Standard housings with cover			
	HDC-HB-32-ADVO	1218800000	1

ADVO = Bulkhead housing with cover, side locking upper side

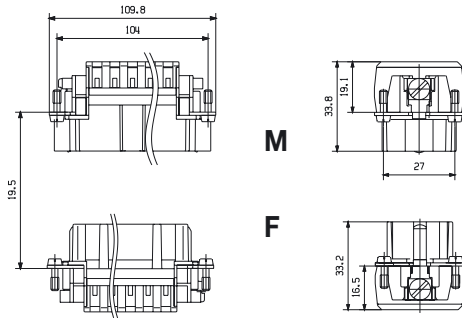
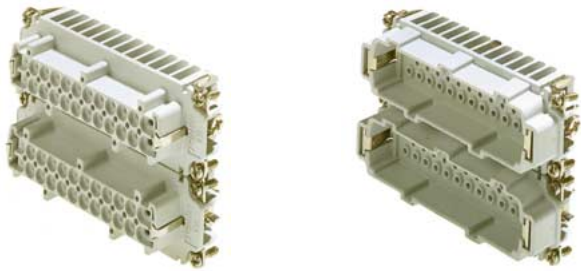
For accessories see section "Accessories"

NEW 500 V

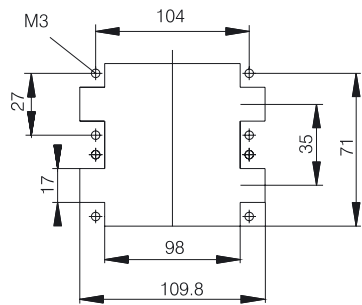
Inserts Group Size 12

Tension clamp connection HE-48

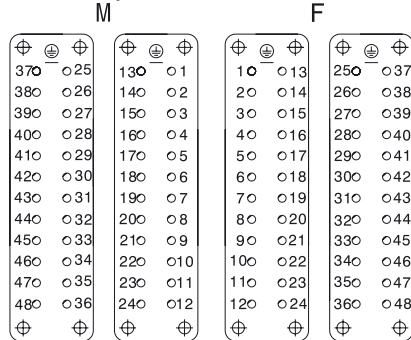
48-pole 500 V-/max 16 A



Cut-out for contact inserts used without housings



Contact layout

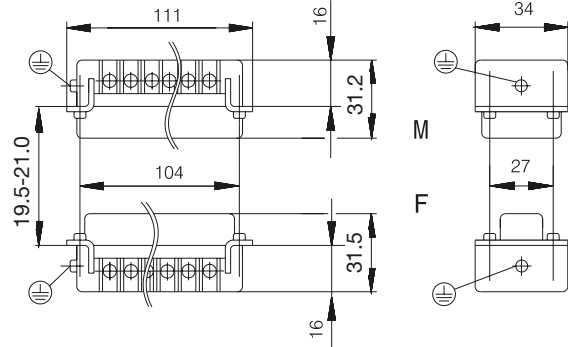
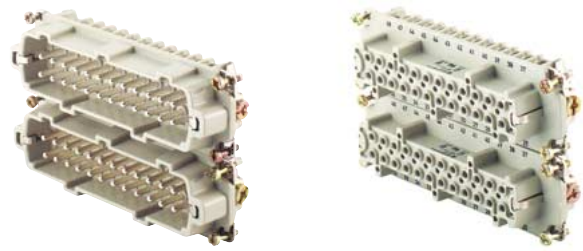


Male insert (M)

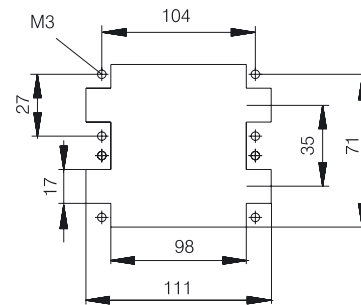
Female insert (F)

Screw connection HE-48

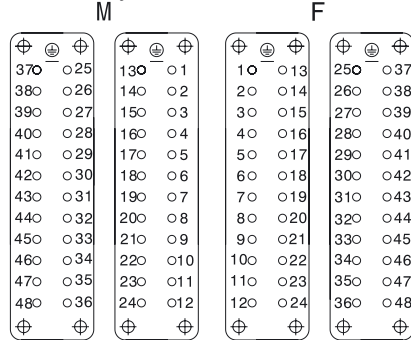
48-pole 500 V-/max 16 A



Cut-out for contact inserts used without housings



Contact layout



Male insert (M)

Female insert (F)

Version	Type	Cat. No.	Qty.
Male	HDC-HE-24SZF	1745850000	5
Male	HDC-HE-24SZF 25-48	1745870000	5
Female	HDC-HE-24BZF	1745790000	5
Female	HDC-HE-24BZF 25-48	1745810000	5

Version	Type	Cat. No.	Qty.
Male	HDC-HE-24SS	1211100000	5
Male	HDC-HE-24SS 25-48	1220800000	5
Female	HDC-HE-24BS	1211300000	5
Female	HDC-HE-24BS 25-48	1221200000	5

Please order two contact inserts per housing

Please order two contact inserts per housing

For accessories see section "Accessories"

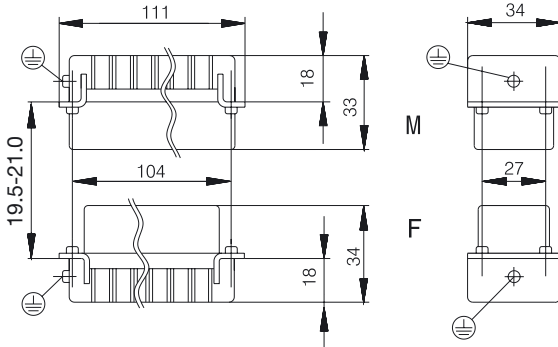
Inserts Group Size 12

NEW 500 V

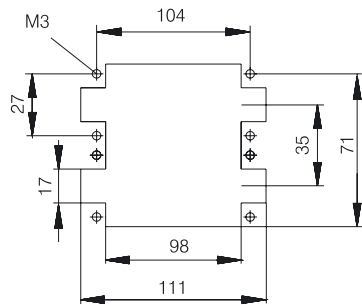
Crimp connection HE-48

48-pole

500 V-/max 16 A



Cut-out for contact inserts used without housings



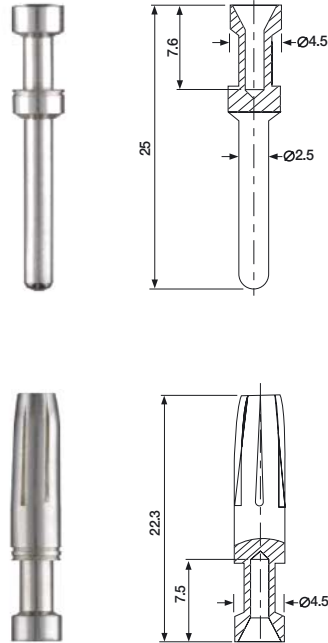
Contact layout

M		F	
view from cable side		view from cable side	
370	∅25	130	∅1
380	∅26	140	∅2
390	∅27	150	∅3
400	∅28	160	∅4
410	∅29	170	∅5
420	∅30	180	∅6
430	∅31	190	∅7
440	∅32	200	∅8
450	∅33	210	∅9
460	∅34	220	∅10
470	∅35	230	∅11
480	∅36	240	∅12
10	∅13	250	∅37
20	∅14	260	∅38
30	∅15	270	∅39
40	∅16	280	∅40
50	∅17	290	∅41
60	∅18	300	∅42
70	∅19	310	∅43
80	∅20	320	∅44
90	∅21	330	∅45
100	∅22	340	∅46
110	∅23	350	∅47
120	∅24	360	∅48

Male insert (M)

Female insert (F)

Turned contacts



Turned crimp contacts for HE housing inserts and HE modules

Male crimps

Cross-section mm ²	AWG	Plating	Type	Cat. No.	Qty.
0.5	20	Au	HDC-C-HE-SM0.5Au	1651420000	100
	20	Ag	HDC-C-HE-SM0.5Ag	1200500000	100
0.75 - 1.00	18	Au	HDC-C-HE-SM0.75-1.00Au	1651430000	100
	18	Ag	HDC-C-HE-SM0.75-1.00Ag	1200600000	100
1.5	16	Au	HDC-C-HE-SM1.5Au	1651440000	100
	16	Ag	HDC-C-HE-SM1.5Ag	1200700000	100
2.5	14	Au	HDC-C-HE-SM2.5Au	1651450000	100
	14	Ag	HDC-C-HE-SM2.5Ag	1200800000	100
4.0	12	Au	HDC-C-HE-SM4.0Au	1651460000	100
	12	Ag	HDC-C-HE-SM4.0Ag	1200900000	100

Female crimps

Cross-section mm ²	AWG	Plating	Type	Cat. No.	Qty.
0.5	20	Au	HDC-C-HE-BM0.5Au	1651470000	100
	20	Ag	HDC-C-HE-BM0.5Ag	1201100000	100
0.75 - 1.00	18	Au	HDC-C-HE-BM0.75-1.00Au	1651480000	100
	18	Ag	HDC-C-HE-BM0.75-1.00Ag	1201200000	100
1.5	16	Au	HDC-C-HE-BM1.5Au	1651490000	100
	16	Ag	HDC-C-HE-BM1.5Ag	1201300000	100
2.5	14	Au	HDC-C-HE-BM2.5Au	1651500000	100
	14	Ag	HDC-C-HE-BM2.5Ag	1201400000	100
4.0	12	Au	HDC-C-HE-BM4.0Au	1651510000	100
	12	Ag	HDC-C-HE-BM4.0Ag	1201500000	100

Version	Type	Cat. No.	Qty.
For turned contacts			
Male	HDC-HE-24SCM	1211500000	5
Male	HDC-HE-24SCM 25-48	1226400000	5
Female	HDC-HE-24BCM	1211600000	5
Female	HDC-HE-24BCM 25-48	1226600000	5

Please order two contact inserts per housing

For crimp contacts see page 57

For accessories see section "Accessories"

Housings Group Size 12

Plug hood HB-48

End locking / lower side

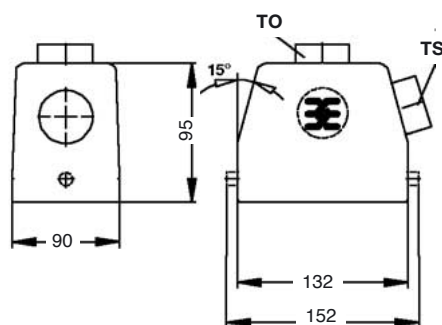


TOVL



TSVL

Dimensions



Version	Type	Cat. No.	Qty.
Standard housings, metric thread			
1 x M 32 thread	HDC HB48 TSVL M32G	1788320000	1
1 x M 40 thread	HDC HB48 TSVL M40G	1788310000	1
1 x M 50 thread	HDC HB48 TSVL M50G	1788300000	1
1 x M 32 thread	HDC HB48 TOVL M32G	1788350000	1
1 x M 40 thread	HDC HB48 TOVL M40G	1788340000	1
1 x M 50 thread	HDC HB48 TOVL M50G	1788330000	1
Standard housings, PG thread			
1 x Pg29 complete	HDC-HB-48-TSVL1/29P	1222600000	1
1 x Pg29 sleeve	HDC-HB-48-TSVL1/29	1650850000	1
1 x Pg36 complete	HDC-HB-48-TSVL1/36P	1222700000	1
1 x Pg36 sleeve	HDC-HB-48-TSVL1/36	1650860000	1
1 x Pg42 complete	HDC-HB-48-TSVL1/42P	1222800000	1
1 x Pg42 sleeve	HDC-HB-48-TSVL1/42	1670470000	1
1 x Pg29 complete	HDC-HB-48-TSVL1/29P	1222300000	1
1 x Pg29 sleeve	HDC-HB-48-TSVL1/29	1650980000	1
1 x Pg36 complete	HDC-HB-48-TSVL1/36P	1222400000	1
1 x Pg36 sleeve	HDC-HB-48-TSVL1/36	1651000000	1
1 x Pg42 complete	HDC-HB-48-TSVL1/42P	1222500000	1

TOVL = Plug hood; Top cable entry, end locking lower side
 TSVL = Plug hood; Top cable entry, end locking lower side

Base housing HB-48

End locking / with/without cover

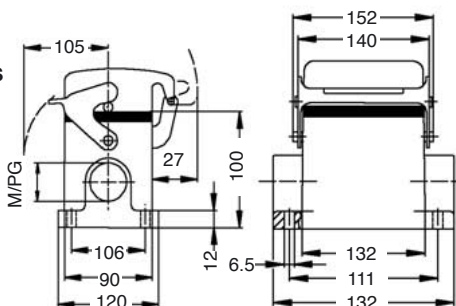


SVL



SDVL

Dimensions



Version	Type	Cat. No.	Qty.
Standard housings, metric thread			
2 x M 32 thread	HDC HB48 SVL 2xM32G	1788370000	1
2 x M 40 thread	HDC HB48 SVL 2xM40G	1788360000	1
Standard housings with cover, metric thread			
2 x M 32 thread	HDC HB48 SDVL 2xM32G	1788390000	2
2 x M 40 thread	HDC HB48 SDVL 2xM40G	1788380000	2
Standard housings, PG thread			
1 x Pg29 complete	HDC-HB-48-SVL1/29P	1223000000	1
1 x Pg29 sleeve	HDC-HB-48-SVL1/29	1651100000	1
1 x Pg36 complete	HDC-HB-48-SVL1/36P	1223200000	1
2 x Pg29 complete	HDC-HB-48-SVL2/29P	1223100000	1
Standard housings with cover, PG thread			
1 x Pg29 complete	HDC-HB-48-SDVL1/29P	1223400000	2
1 x Pg36 complete	HDC-HB-48-SDVL1/36P	1223600000	2
2 x Pg29 complete	HDC-HB-48-SDVL2/29P	1223500000	1
2 x Pg29 sleeve	HDC-HB-48-SDVL2/29	1667560000	1
2 x Pg36 complete	HDC-HB-48-SDVL2/36P	1223700000	1

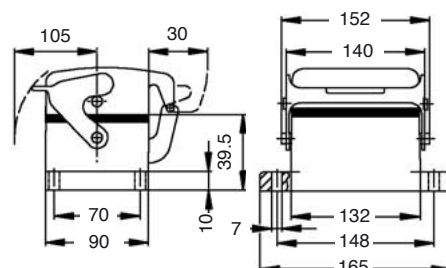
SVL = Base housing, end locking
 SDVL = Base housing with cover, end locking

Bulkhead housing HB-48

End locking / with/without cover



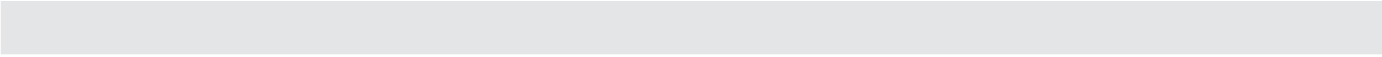
Dimensions



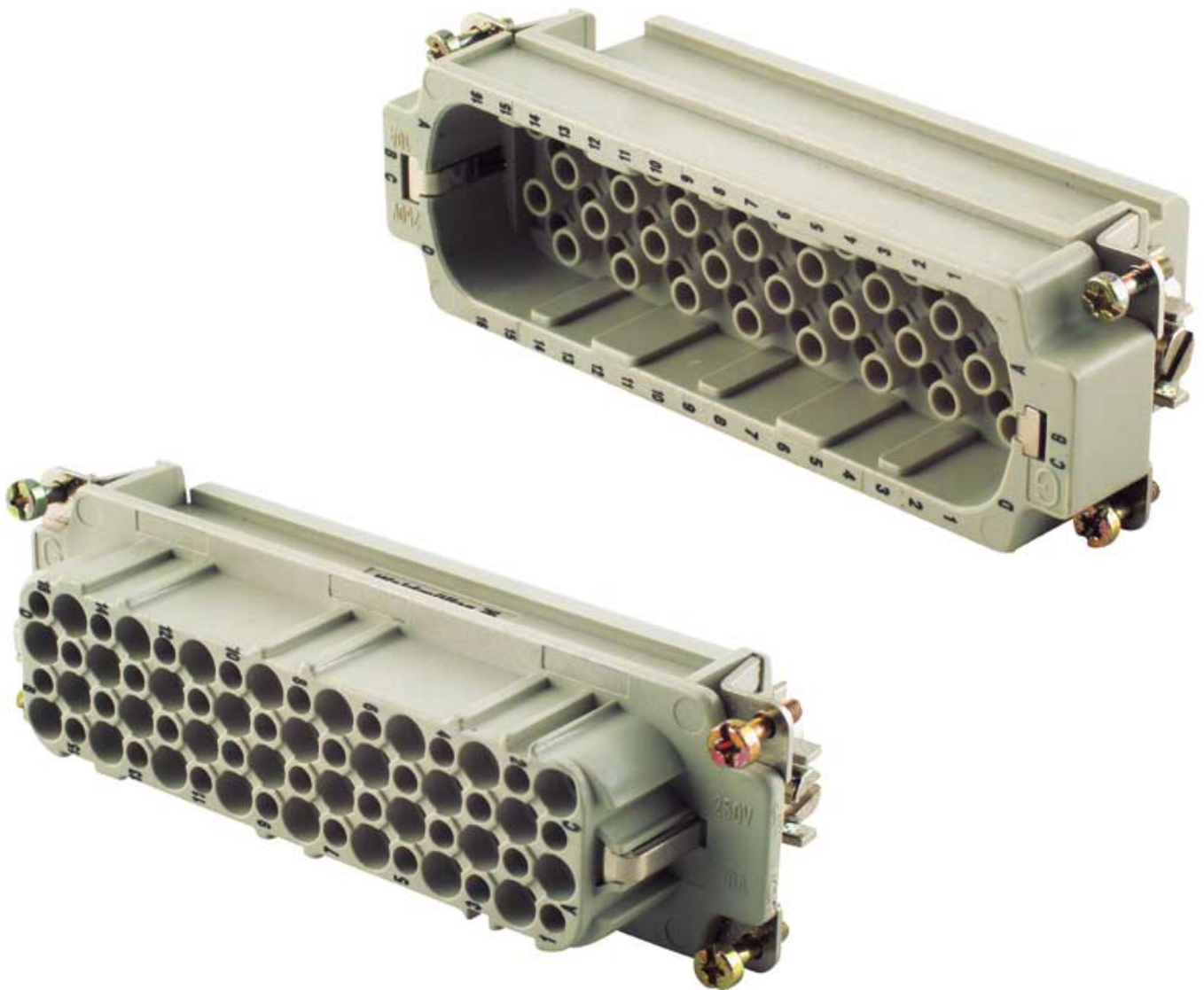
Version	Type	Cat. No.	Qty.
Standard housings with cover			
	HDC-HB-48-ADVL	1222900000	1

ADVL = Bulkhead housing, end locking

For accessories see section "Accessories"



Series HD



Series HD

HD-Inserts 7 - 128 Pole Crimp contacts

- Stamped or turned crimp contacts
- Pole number:
7, 8, 15, 16, 24, 25, 40, 50, 64, 80, 128

Series HD

Technical data

Standards

Approvals

Inserts

Contact numbers	7, 8, 15, 16, 24, 25, 40, 50, 64, 80, 128 (+PE)
Rated current	10 A max.
Rated voltage (VDE 110/1.89)	250V
Rated impulse voltage	4 kV
Pollution degree	3
Contact resistance	10 ¹⁵ Ohmcm
Material	Thermoplastic glass-fibre reinforced (UL listed)
Temperature range	-40° + 125° C
Flammability class acc. UL 94	V-0
Mechanical durability	
- insertion frequency Sn	≤ 50
- insertion frequency Ag	≤ 100
- insertion frequency Au	≤ 500
Rated voltage	
- acc. UL / CSA	250 V
Connection method	Crimp

Series HD

DIN VDE 0627

DIN VDE 0110

Technical data

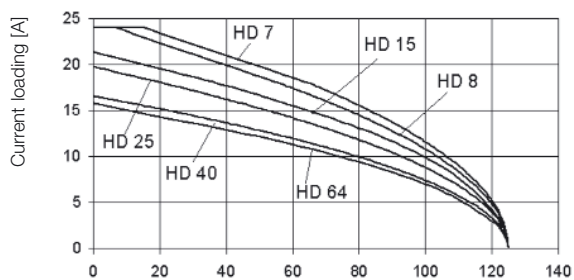
Contacts

Material	Copper alloy
Plating	
- tin plated	2 to 5 µm
- silver plated	3 µm Ag
- gold plated	0.8 µm Au over 2 µm Ni
Through resistance	< 3mOhm
Clamping range	
- mm ²	0.14 - 2.5
- AWG	26 ... 14
Insulation stripping length	
- stamped crimp contacts	3.5 mm
- turned crimp contacts	8.0 mm

Housings

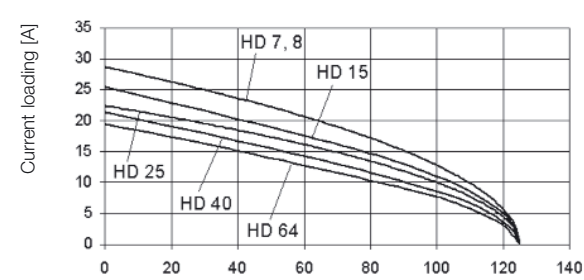
Material	
Group size 1	Die cast zinc / thermoplastic
Group size 2 -12	Aluminium die casting AL-Si 12
Flammability class acc. UL 94 (Group size 1 in thermoplastic)	V-0
Plating	Powder coating, grey
Locking	
- standard	Steel, zinc plated
Gasket	NBR
Temperature range	-40° + 125° C
Protection in accordance with DIN - when locked	IP 65

Derating curves



HD Crimp turned 1.5 mm²

Ambient temperature [°C]

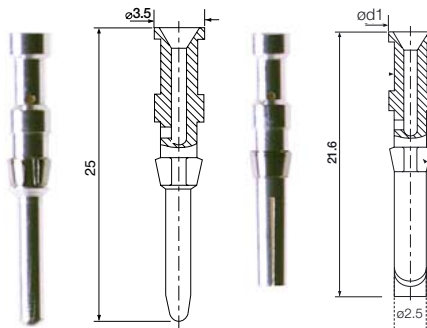


HD Crimp turned 2.5 mm²

Ambient temperature [°C]

Further derating curves on request

Turned crimp contacts for HD, HDD and ConCept housing inserts



Crimp male

Cross-sec. mm ²	AWG	Plating	Type	Cat. No.	Qty.
0.14 - 0.37	26...22	Au	HDC-C-HD-SM0.14-0.37Au	1651620000	100
	26...22	Ag	HDC-C-HD-SM0.14-0.37Ag	1651520000	100
0.5	20	Au	HDC-C-HD-SM0.5Au	1651630000	100
	20	Ag	HDC-C-HD-SM0.5Ag	1651530000	100
0.75 - 1.00	18	Au	HDC-C-HD-SM0.75-1.00Au	1651640000	100
	18	Ag	HDC-C-HD-SM0.75-1.00Ag	1601750000	100
1.5	16	Au	HDC-C-HD-SM1.5Au	1651650000	100
	16	Ag	HDC-C-HD-SM1.5Ag	1651550000	100
2.5	14	Au	HDC-C-HD-SM2.5Au	1651660000	100
	14	Ag	HDC-C-HD-SM2.5Ag	1651560000	100

Crimp female

Cross-sec. mm ²	AWG	Plating	Type	Cat. No.	Qty.
0.14 - 0.37	26...22	Au	HDC-C-HD-BM0.14-0.37Au	1651670000	100
	26...22	Ag	HDC-C-HD-BM0.14-0.37Ag	1651570000	100
0.5	20	Au	HDC-C-HD-BM0.5Au	1651680000	100
	20	Ag	HDC-C-HD-BM0.5Ag	1651580000	100
0.75 - 1.00	18	Au	HDC-C-HD-BM0.75-1.00Au	1651690000	100
	18	Ag	HDC-C-HD-BM0.75-1.00Ag	1601760000	100
1.5	16	Au	HDC-C-HD-BM1.5Au	1651700000	100
	16	Ag	HDC-C-HD-BM1.5Ag	1651600000	100
2.5	14	Au	HDC-C-HD-BM2.5Au	1651710000	100
	14	Ag	HDC-C-HD-BM2.5Ag	1651610000	100

Series HD

Stamped crimp contacts for HD housing inserts

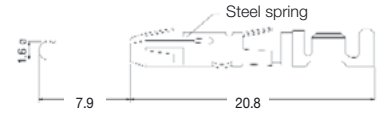
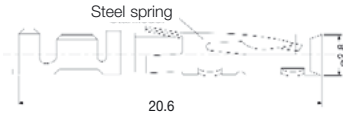
Single contacts



Bandolier contacts

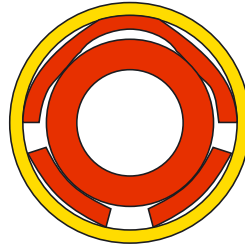


CB/CS-contact



Contact system CB/CS

- High contact reliability with four defined contact points
- Locating hooks in the steel spring offer a reliable fit in the housing
- As many as 500 mating cycles (gold version)
- As many as 100 mating cycles (tin version)



Stamped crimp contacts CB/CS, 4 contact points

Crimp male

Cross-sec. mm ²	AWG	Insul.-ø mm	Plating
0.14...0.2	26...24	0.8...1.4	Au Sn Pb
0.32...0.5	22...20	1.1...1.8	Au Sn Pb
0.32...0.5	22...20	2.0...2.5	Au Sn Pb
0.75...1.5	18...16	2.0...2.5	Au Sn Pb
0.75...1.5	18...16	2.0...3.5	Sn Pb

Single contacts

Type	Cat. No.	Qty.
CS 1.6 HD E 26...24 AU 1.4	1542200000	250
CS 1.6 HD E 26...24 SN 1.4	1542600000	250
CS 1.6 HD E 22...20 AU 1.8	1542800000	250
CS 1.6 HD E 22...20 SN 1.8	1543200000	250
CS 1.6 HD E 22...20 AU 2.5	1543400000	250
CS 1.6 HD E 22...20 SN 2.5	1543800000	250
CS 1.6 HD E 18...16 AU 2.5	1544000000	250
CS 1.6 HD E 18...16 SN 2.5	1544400000	250
CS 1.6 HD E 18...16 SN 13.5	1582520000	250

Bandolier contacts

Type	Cat. No.	Qty.
CS 1.6 HD R 26...24 AU 1.4	1542100000	5000
CS 1.6 HD R 26...24 SN 1.4	1542500000	5000
CS 1.6 HD R 22...20 AU 1.8	1542700000	5000
CS 1.6 HD R 22...20 SN 1.8	1543100000	5000
CS 1.6 HD R 22...20 AU 2.5	1543300000	5000
CS 1.6 HD R 22...20 SN 2.5	1543700000	5000
CS 1.6 HD R 18...16 AU 2.5	1543900000	5000
CS 1.6 HD R 18...16 SN 2.5	1544300000	5000
CS 1.6 HD R 18...16 3.5	1582530000	4000

Crimp female

Cross-sec. mm ²	AWG	Insul.-ø mm	Plating
0.14...0.2	26...14	0.8...1.4	Au Sn Pb
0.32...0.5	22...20	1.1...1.8	Au Sn Pb
0.32...0.5	22...20	2.0...2.5	Au Sn Pb
0.75...1.5	18...16	2.0...2.5	Au Sn Pb
0.75...1.5	18...16	2.0...3.5	Au Sn Pb

Type	Cat. No.	Qty.
CB 1.6 26...24 AU, 75 1.4	1420900000	250
CB 1.6 26...24 SN 1.4	1421900000	250
CB 1.6 22...20 AU, 75 1.8	1422900000	250
CB 1.6 22...20 SN 1.8	1423900000	250
CB 1.6 22...20 AU, 75 2.5	1424900000	250
CB 1.6 22...20 SN 2.5	1425900000	250
CB 1.6 18...16 AU, 75 2.5	1426900000	250
CB 1.6 18...16 SN 2.5	1427900000	250
CB 1.6 16...18 AU 0.75 3.5	1582410000	250
CB 1.6 16...18 SN 3.5	1582430000	250

Type	Cat. No.	Qty.
CB 1.6 26...24 AU, 75 1.4	1420800000	5000
CB 1.6 26...24 SN 1.4	1421800000	5000
CB 1.6 22...20 AU, 75 1.8	1422800000	5000
CB 1.6 22...20 SN 1.8	1423800000	5000
CB 1.6 22...20 AU, 75 2.5	1424800000	5000
CB 1.6 22...20 SN 2.5	1425800000	5000
CB 1.6 18...16 AU, 75 2.5	1426800000	5000
CB 1.6 18...16 SN 2.5	1427800000	5000
CB 1.6 18...16 AU 0.75 3.5	1582420000	4000
CB 1.6 18...16 SN 3.5	1582440000	4000

Inserts Group Size 1

Crimp connection series HD-7

7-pole + PE

250 V-/max. 10 A

Crimp connection series HD-8

8-pole + PE

250 V-/max. 10 A



Male



Female

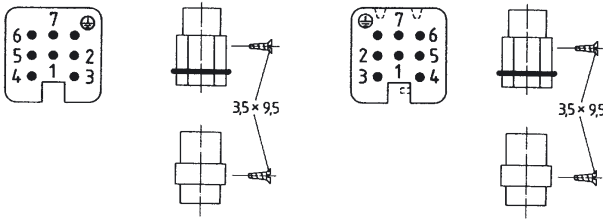


Male

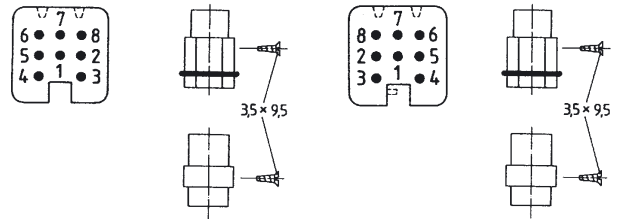


Female

Dimensions



Dimensions



Version	Type	Cat. No.	Qty.
For stamped contacts			
Male	HDC-HD-7SCG	1650550000	10
Female	HDC-HD-7BCG	1650560000	10
For turned contacts			
Male	HDC-HD-7SCM	1650570000	10
Female	HDC-HD-7BCM	1650580000	10

Version	Type	Cat. No.	Qty.
For turned contacts			
Male	HDC-HD-8SCM	1650590000	10
Female	HDC-HD-8BCM	1650600000	10

For crimp contacts see page 62 and 63

250 V only when using plastic housing
42 V only when using metal housing

For crimp contacts see page 62 and 63

250 V only when using plastic housing
42 V only when using metal housing

For accessories see section "Accessories"

Housings Group Size 1

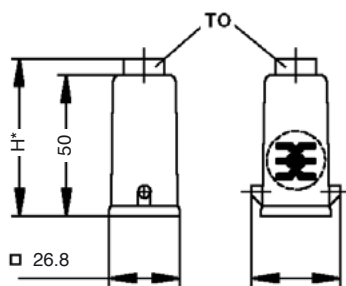
Plug hood HA-3/HAD-7

End locking / lower side



TOVL

Dimensions



H* M = 50
PG, Metal = 57
PG, Plastic = 62

HAD=36
HA=33.5

Version	Type	Cat. No.	Qty.
Plastic housing, metric thread			
1 x M 20 thread	HDC HAD7 TOVL 1xM20G	1788520000	10
Plastic housing, PG thread			
1 x Pg 11 complete	HDC-HAD-7-TOVL1/11P	1652370000	10
1 x Pg 11 sleeve	HDC-HAD-7-TOVL1/11	1652380000	10
Metal housing, metric thread			
1 x M 20 thread	HDC HA3 TOVL 1xM20G	1788820000	10
Metal housing, PG thread			
1 x Pg 11 complete	HDC-HA-3-TOVL1/11P	1498500000	10
1 x Pg 11 sleeve	HDC-HA-3-TOVL1/11	1652470000	10

TOVL = Plug hood; Top cable entry, end locking
HAD-7 = Plastic housing
HA-3 = Metal housing

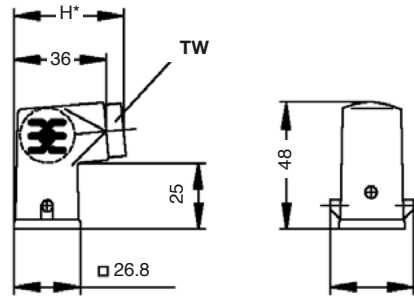
Plug hood HA-3/HAD-7

End locking / lower side



TWVL

Dimensions



H* M = 36
PG, Metal = 43
PG, Plastic = 48

HAD=36
HA=33.5

Version	Type	Cat. No.	Qty.
Plastic housing, metric thread			
1 x M 20 thread	HDC HAD7 TWVL 1xM20G	1788510000	10
Plastic housing, PG thread			
1 x Pg 11 complete	HDC-HAD-7-TWVL1/11P	1652390000	10
1 x Pg 11 sleeve	HDC-HAD-7-TWVL1/11	1652400000	10
Metal housing, metric thread			
1 x M 20 thread	HDC HA3 TWVL 1xM20G	1788810000	10
Metal housing, PG thread			
1 x Pg 11 complete	HDC-HA-3-TWVL1/11P	1498600000	10
1 x Pg 11 sleeve	HDC-HA-3-TWVL1/11	1652480000	10

TWVL = Plug hood angled, end locking
HAD-7 = Plastic housing
HA-3 = Metal housing

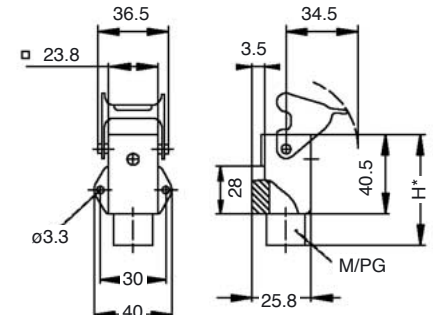
Base housing HA-3/HAD-7

End locking



SVL

Dimensions



H* M = 40.5
PG, Metal = 57
PG, Plastic = 62

Version	Type	Cat. No.	Qty.
Plastic housing, metric thread			
1 x M 20 thread	HDC HAD7 SVL 1xM20G	1788530000	10
Plastic housing, PG thread			
1 x Pg 11 complete	HDC-HAD-7-SVL1/11P	1652430000	10
1 x Pg 11 sleeve	HDC-HAD-7-SVL1/11	1652440000	10
Metal housing, metric thread			
1 x M 20 sleeve	HDC HA3 SVL 1xM20	1788830000	10
Metal housing, PG thread			
1 x Pg 11 complete	HDC-HA-3-SVL1/11P	1497800000	10
1 x Pg 11 sleeve	HDC-HA-3-SVL1/11	1652490000	10

SVL = Base housing, end locking
HAD-7 = Plastic housing
HA-3 = Metal housing

For accessories see section "Accessories"

Housings Group Size 1

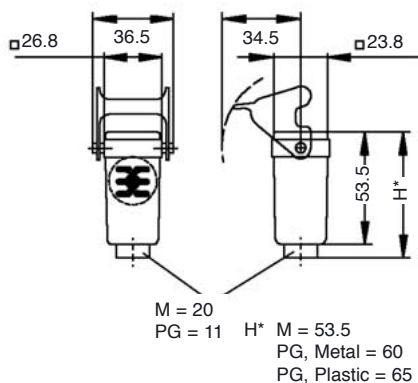
Coupling hood HA-3/HAD-7

End locking



KVL

Dimensions



Version	Type	Cat. No.	Qty.
Plastic housings, metric thread			
1 x M 20 thread	HDC HAD7 KVL 1xM20G	1788540000	10
Plastic housings, PG thread			
1 x Pg 11 complete	HDC-HAD-7-KVL1/11P	1652450000	10
1 x Pg 11 sleeve	HDC-HAD-7-KVL1/11	1652460000	10
Metal housings, metric thread			
1 x M 20 thread	HDC HA3 KVL 1xM20G	1788840000	10
Metal housings, PG thread			
1 x Pg 11 complete	HDC-HA-3-KVL1/11P	1497900000	10
1 x Pg 11 sleeve	HDC-HA-3-KVL1/11	1652500000	10

KVL = Coupling hood, end locking
HAD-7 = Plastic housing
HA-3 = Metal housing

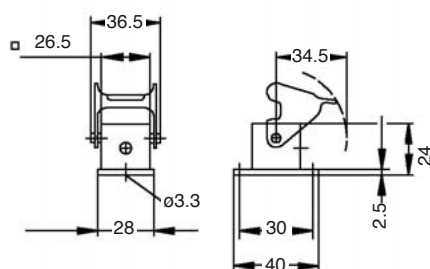
Bulkhead housing HA-3/HAD-7

End locking



AVL

Dimensions

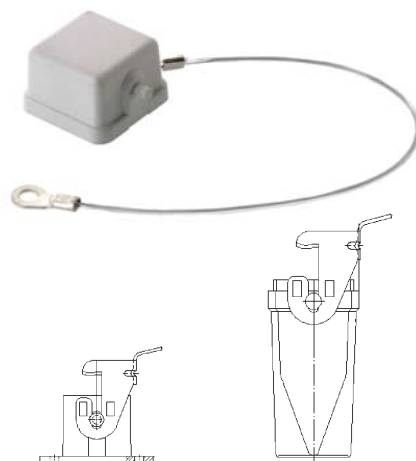


Version	Type	Cat. No.	Qty.
Plastic housings			
	HDC-HAD-7-AVL	1652410000	10
Metal housings			
	HDC-HA-3-AVL	1497600000	10

AVL = Bulkhead housing, end locking
HAD-7 = Plastic housing
HA-3 = Metal housing

Cover for housing with end locking

Plastic / Cover with cord



Version / Type	Cat. No.	Qty.
Plastic cover		
HDC-HA-3-KDBF-S	1665760000	10
HDC-HA-3-KDBF-B	1665770000	10

S = Cover without sealing when using male inserts
 B = Cover with sealing when using female inserts

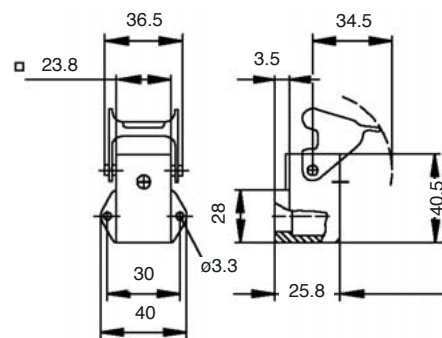
Bulkhead housing angled HA-3/HAD-7

End locking



AWVL

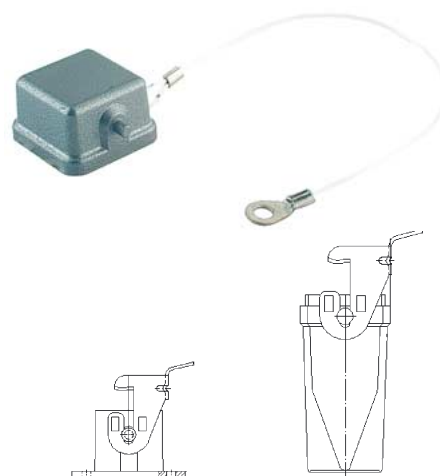
Dimensions



Version	Type	Cat. No.	Qty.
Plastic housing			
	HDC-HAD-7-AWVL	1652420000	10
Metal housing			
	HDC-HA-3-AWVL	1497700000	10

AWVL = Bulkhead housing angled, end locking
HAD-7 = Plastic housing
HA-3 = Metal housing

Metal / Cover with cord



Version / Type	Cat. No.	Qty.
Metal cover		
HDC-HA-3-MDBF-S	1665740000	10
HDC-HA-3-MDBF-B	1665750000	10

S = Cover without sealing when using male inserts
 B = Cover with sealing when using female inserts

For accessories see section "Accessories"

Inserts Group Size 2

Crimp connection series HD-15

15-pole

250 V-/max 10 A

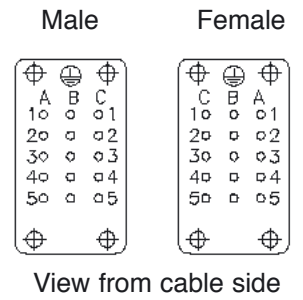
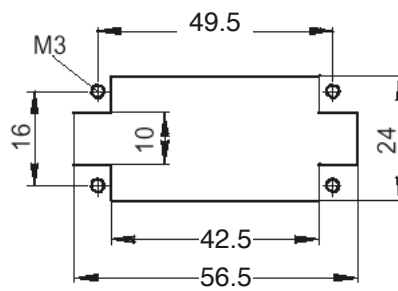
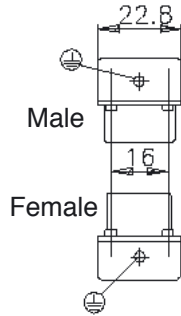
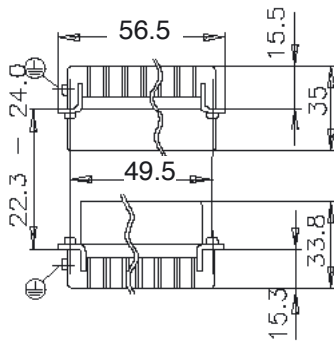


Male



Female

Dimensions



Version	Type	Cat. No.	Qty.
For stamped contacts			
Male	HDC-HD-15SCG	1650630000	5
For turned contacts			
Male	HDC-HD-15SCM	1650650000	5

Version	Type	Cat. No.	Qty.
For stamped contacts			
Female	HDC-HD-15BCG	1650640000	5
For turned contacts			
Female	HDC-HD-15BCM	1650660000	5

For crimp contacts see page 62 and 63

For crimp contacts see page 62 and 63

For accessories see section "Accessories"

Housings Group Size 2

Plug hood HA-10

End locking / lower side

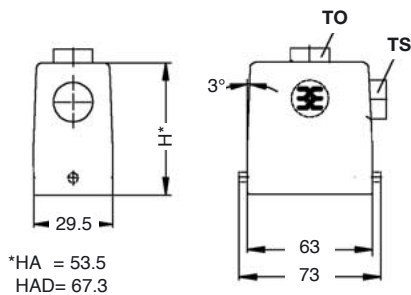


TOVL



TSVL

Dimensions



Version	Type	Cat. No.	Qty.
Standard housings, metric thread			
1 x M 20 thread	HDC HA10 TOVL 1xM20G	1788620000	5
1 x M 25 thread	HDC HA10 TOVL 1xM25G	1788610000	5
1 x M 20 sleeve	HDC HA10 TSVL 1xM20	1788600000	5
1 x M 25 sleeve	HDC HA10 TSVL 1xM25	1788590000	5
1 x M 20 thread	HDC HAD15 TOVL 1xM20G	1788880000	5
1 x M 25 thread	HDC HAD15 TOVL 1xM25G	1788870000	5
1 x M 20 thread	HDC HAD15 TSVL 1xM20G	1788860000	5
1 x M 25 thread	HDC HAD15 TSVL 1xM25G	1788850000	5
Standard housings, PG thread			
1 x Pg16 complete	HDC-HA-10-TOVL1/16P	1663920000	5
1 x Pg16 sleeve	HDC-HA-10-TOVL1/16	1663930000	5
1 x Pg16 complete	HDC-HA-10-TSVL1/16P	1663800000	5
1 x Pg16 sleeve	HDC-HA-10-TSVL1/16	1663810000	5
1 x Pg16 complete	HDC-HAD-15-TOVL1/16P	1663960000	5
1 x Pg21 complete	HDC-HAD-15-TOVL1/21P	1663980000	5
1 x Pg21 sleeve	HDC-HAD-15-TOVL1/21	1663990000	5
1 x Pg16 complete	HDC-HAD-15-TSVL1/16P	1663840000	5
1 x Pg16 sleeve	HDC-HAD-15-TSVL1/16	1663850000	5
1 x Pg21 complete	HDC-HAD-15-TSVL1/21P	1663860000	5
1 x Pg21 sleeve	HDC-HAD-15-TSVL1/21	1663870000	5

TOVL = Plug hood; Top cable entry, end locking
TSVL = Plug hood; Side cable entry, end locking

Base housing HA-10

End locking / with/without cover

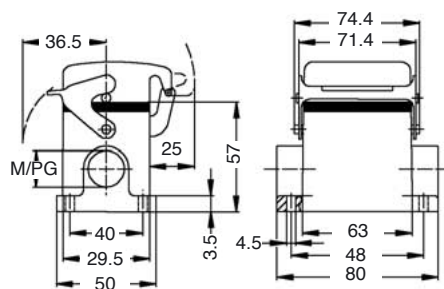


SVL



SDVL

Dimensions



Version	Type	Cat. No.	Qty.
Standard housings, metric thread			
2 x M 20 thread	HDC HA10 SVL 2xM20G	1788640000	5
2 x M 25 thread	HDC HA10 SVL 2xM25G	1788630000	5
Standard housings with cover, metric thread			
2 x M 20 thread	HDC HA10 SDVL 2xM20G	1788660000	5
2 x M 25 thread	HDC HA10 SDVL 2xM25G	1788650000	5
Standard housings, PG thread			
1 x Pg16 complete	HDC-HA-10-SVL1/16P	1664160000	5
1 x Pg16 sleeve	HDC-HA-10-SVL1/16	1664170000	5
1 x Pg21 complete	HDC-HA-10-SVL1/21P	1664200000	5
1 x Pg21 sleeve	HDC-HA-10-SVL1/21	1664210000	5
2 x Pg16 complete	HDC-HA-10-SVL2/16P	1664180000	5
2 x Pg16 sleeve	HDC-HA-10-SVL2/16	1664190000	5
Standard housings with cover, PG thread			
1 x Pg16 complete	HDC-HA-10-SDVL1/16P	1664400000	5
1 x Pg16 sleeve	HDC-HA-10-SDVL1/16	1664410000	5
2 x Pg16 complete	HDC-HA-10-SDVL2/16P	1664420000	5

SVL = Base housing, end locking
SDVL = Base housing with cover, end locking

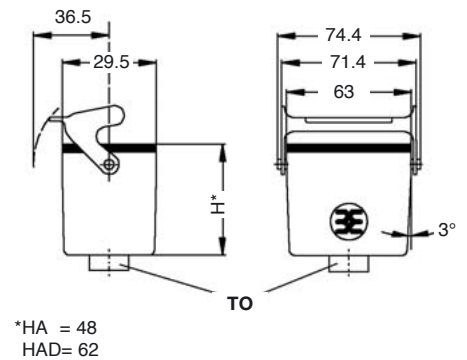
Coupling hood HA-10 / HAD-15

End locking



KVL

Dimensions



Version	Type	Cat. No.	Qty.
Standard housings, metric thread			
1 x M 25 thread	HDC HA10 KVL 1xM25G	1788670000	5
1 x M 25 thread	HDC HAD15 KVL 1xM25G	1788890000	2
Standard housings, PG thread			
1 x Pg16 complete	HDC-HA-10-KVL1/16P	1664560000	5
1 x Pg21 complete	HDC-HAD-15-KVL1/21P	1664620000	2
1 x Pg21 sleeve	HDC-HAD-15-KVL1/21	1664630000	2

KVL = Coupling hood, end locking

For accessories see section "Accessories"

Housings Group Size 2

Bulkhead housing HA-10

End locking / with/without cover

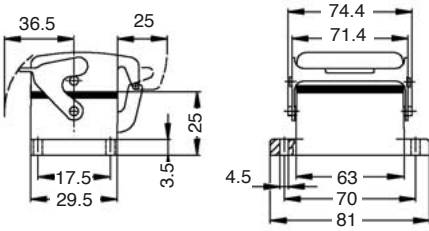


AVL



ADVL

Dimensions



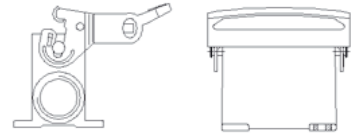
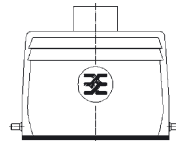
Cover for plug hood

Cover with cord



Cover for housings with end locking

Cover with cord



Version	Type	Cat. No.	Qty.
Standard housings			
	HDC-HA-10-AVL	1664040000	5
Standard housings with cover			
	HDC-HA-10-ADVL	1664060000	5

Version / Type	Cat. No.	Qty.
Plastic cover		
HDC-HA-10-KDF	1665890000	5

Version / Type	Cat. No.	Qty.
Plastic cover		
HDC-HA-10-KDBF	1665880000	5

ADVL = Bulkhead housing with cover, end locking
 AVL = Bulkhead housing, end locking

For accessories see section "Accessories"

Inserts Group Size 3

Crimp connection series HD-16

16-pole

250 V-/max 10 A

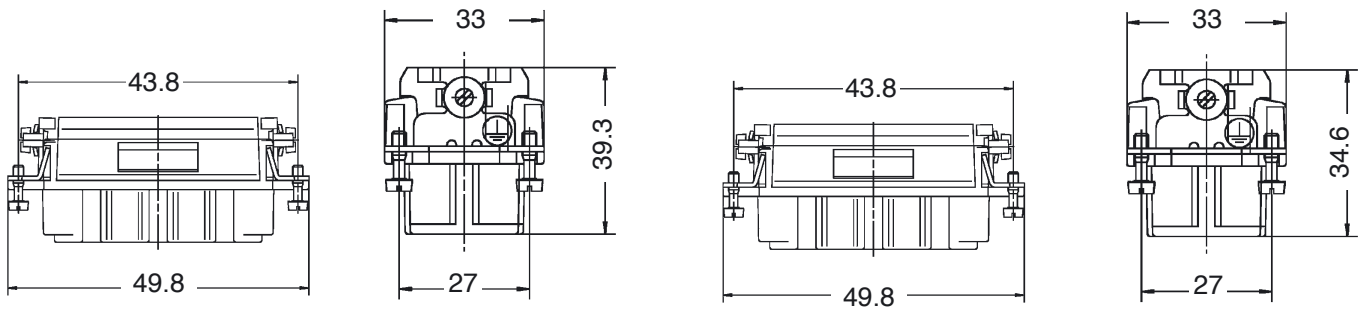


Male



Female

Dimensions



Version	Type	Cat. No.	Qty.
For stamped contacts			
Male	HDC-HD-16SCG	1572520000	5
For turned contacts			
Male	HDC-HD-16SCM	1650710000	5

Version	Type	Cat. No.	Qty.
For stamped contacts			
Female	HDC-HD-16BCG	1572530000	5
For turned contacts			
Female	HDC-HD-16BCM	1650720000	5

For crimp contacts see page 62 and 63

For crimp contacts see page 62 and 63

For accessories see section "Accessories"

Housings Group Size 3

Plug hood HB-6

End locking / lower side



TOVL

Plug hood HBD-16

End locking / lower side / high version



TOVL

Base housing HB-6

End locking, with/without cover

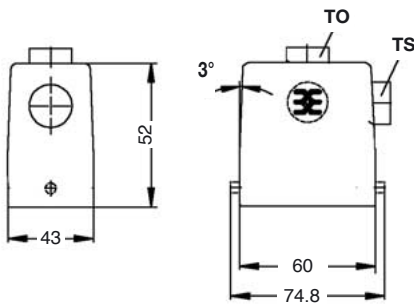


SVL

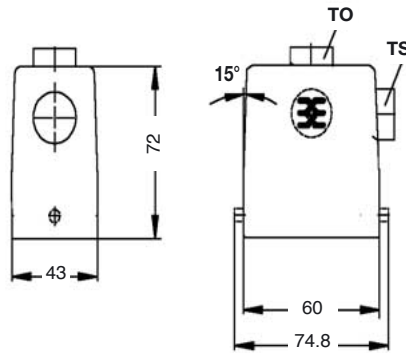


SDVL

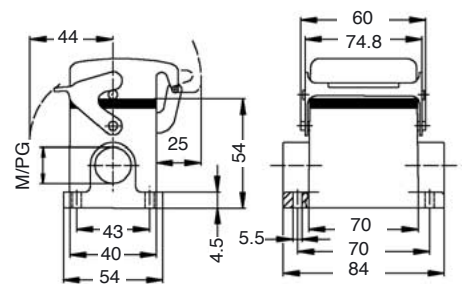
Dimensions



Dimensions



Dimensions



Version	Type	Cat. No.	Qty.
Standard housings, metric thread			
1 x M 20 thread	HDC HB6 TOVL 1xM20G	1788120000	5
1 x M 25 thread	HDC HB6 TOVL 1xM25G	1788110000	5
1 x M 20 thread	HDC HB6 TSVL 1xM20G	1805930000	5
1 x M 20 sleeve	HDC HB6 TSVL 1xM20	1788100000	5
1 x M 25 sleeve	HDC HB6 TSVL 1xM25	1788090000	5
Standard housings, PG thread			
1 x Pg13 complete	HDC-HB-6-TOVL1/13P	1201800000	5
1 x Pg13 sleeve	HDC-HB-6-TOVL1/13	1670500000	5
1 x Pg16 complete	HDC-HB-6-TOVL1/16P	1652630000	5
1 x Pg16 sleeve	HDC-HB-6-TOVL1/16	1652640000	5
1 x Pg13 complete	HDC-HB-6-TSVL1/13P	1201900000	5
1 x Pg13 sleeve	HDC-HB-6-TSVL1/13	1670530000	5
1 x Pg16 complete	HDC-HB-6-TSVL1/16P	1652510000	5
1 x Pg16 sleeve	HDC-HB-6-TSVL1/16	1652520000	5

Version	Type	Cat. No.	Qty.
Standard housings, metric thread			
1 x M 25 thread	HDC HBD16 TOVL 1xM25G	1787500000	5
1 x M 32 thread	HDC HBD16 TOVL 1xM32G	1787490000	5
1 x M 25 thread	HDC HBD16 TSVL 1xM25G	1787480000	5
1 x M 32 thread	HDC HBD16 TSVL 1xM32G	1787470000	5
Standard housings, PG thread			
1 x Pg21 complete	HDC-HBD-16-TOVL1/21P	1652670000	5
1 x Pg21 sleeve	HDC-HBD-16-TOVL1/21	1652680000	5
1 x Pg29 complete	HDC-HBD-16-TOVL1/29P	1652690000	5
1 x Pg29 sleeve	HDC-HBD-16-TOVL1/29	1652700000	5
1 x Pg21 complete	HDC-HBD-16-TSVL1/21P	1652550000	5
1 x Pg21 sleeve	HDC-HBD-16-TSVL1/21	1652560000	5
1 x Pg29 complete	HDC-HBD-16-TSVL1/29P	1652570000	5
1 x Pg29 sleeve	HDC-HBD-16-TSVL1/29	1652580000	5

Version	Type	Cat. No.	Qty.
Standard housings, metric thread			
2 x M 20 thread	HDC HB6 SVL 2xM20G	1788140000	5
2 x M 25 thread	HDC HB6 SVL 2xM25G	1788130000	5
Standard housings with cover, metric thread			
2 x M 20 thread	HDC HB6 SDVL 2xM20G	1788170000	2
2 x M 25 thread	HDC HB6 SDVL 2xM25G	1788160000	2
Standard housings, PG thread			
1 x Pg16 complete	HDC-HB-6-SVL1/16P	1202200000	5
1 x Pg16 sleeve	HDC-HB-6-SVL1/16	1652750000	5
2 x Pg16 complete	HDC-HB-6-SVL2/16P	1202300000	5
2 x Pg16 sleeve	HDC-HB-6-SVL2/16	1652760000	5
Standard housings with cover, PG thread			
1 x Pg16 complete	HDC-HB-6-SDVL1/16P	1202600000	2
1 x Pg16 sleeve	HDC-HB-6-SDVL1/16	1652980000	2
2 x Pg16 complete	HDC-HB-6-SDVL2/16P	1202700000	2
2 x Pg16 sleeve	HDC-HB-6-SDVL2/16	1652990000	2

TOVL = Plug hood; Top cable entry, end locking
 TSVL = Plug hood; Side cable entry, end locking

TOVL = Plug hood; Top cable entry, end locking
 TSVL = Plug hood; Side cable entry, end locking

SVL = Base housing, end locking
 SDVL = Base housing with cover, end locking

For accessories see section "Accessories"

Housings Group Size 3

Base housing HBD-16

End locking, with/without cover, high version

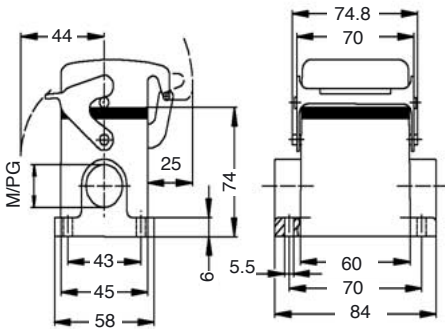


SVL



SDVL

Dimensions



Version	Type	Cat. No.	Qty.
Standard housings with cover, metric thread			
1 x M 25 thread	HDC HBD16 SVL 2xM25G	1787520000	5
1 x M 32 thread	HDC HBD16 SVL 2xM32G	1787510000	5
1 x M 25 thread	HDC HBD16 SDVL 2xM25G	1787540000	2
1 x M 32 thread	HDC HBD16 SDVL 2xM32G	1787530000	2
Standard housings with cover, PG thread			
1 x Pg21 complete	HDC-HBD-16-SVL1/21P	1652810000	5
1 x Pg21 sleeve	HDC-HBD-16-SVL1/21	1652820000	5
1 x Pg29 complete	HDC-HBD-16-SVL1/29P	1652850000	5
2 x Pg21 sleeve	HDC-HBD-16-SVL2/21	1652840000	5
1 x Pg21 complete	HDC-HBD-16-SDVL1/21P	1653040000	2

SVL = Base housing, end locking
SDVL = Base housing with cover, end locking

Coupling hood HB-6 / HBD-16

End locking

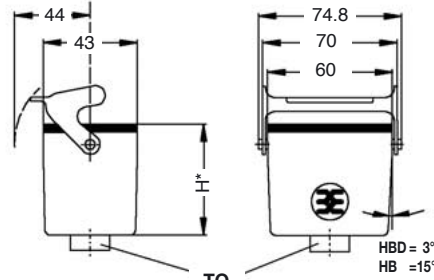


KVL



KVL

Dimensions

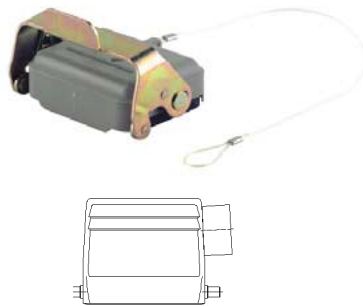


*HB = 54.8
HBD = 74.8

Version	Type	Cat. No.	Qty.
Standard housings, PG thread			
1 x Pg16 complete	HDC-HB-6-KVL1/16P	1202400000	5
1 x Pg16 sleeve	HDC-HB-6-KVL1/16	1653200000	5
1 x Pg21 complete	HDC-HBD-16-KVL1/21P	1653230000	5
KVL = Coupling hood, end locking			

Cover for plug hood

Cover with cord



Type	Cat. No.	Qty.
Plastic cover		
HDC-HB-6-DT	1665210000	2

Bulkhead housing HB-6

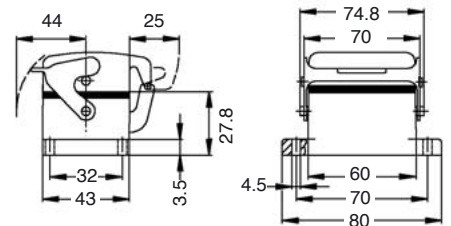
End locking, with/without cover



ADVL



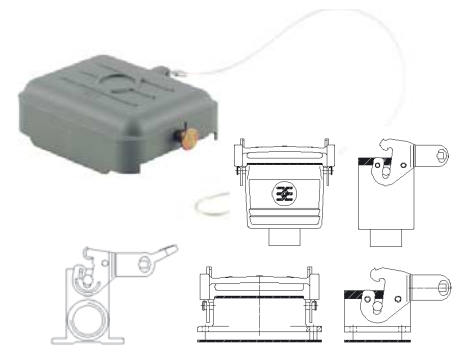
Dimensions



Version	Type	Cat. No.	Qty.
Standard housings			
	HDC-HB-6-AVL	1202100000	5
Standard housings with cover			
	HDC-HB-6-ADVL	1202500000	5
AVL = Bulkhead housing, end locking ADVL = Bulkhead housing with cover, end locking			

Cover for lower side with end locking

Cover with cord



Type	Cat. No.	Qty.
Plastic cover		
HDC-HB-6-DB	1665200000	5

For accessories see section "Accessories"

Inserts Group Size 4

Crimp connection series HD-24

24-pole

250 V-/max 10 A

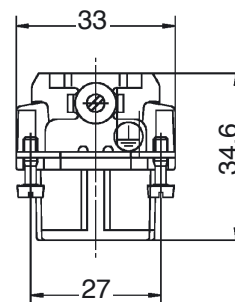
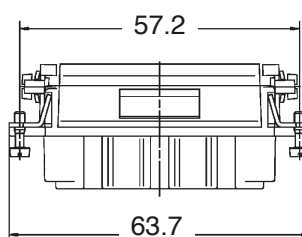
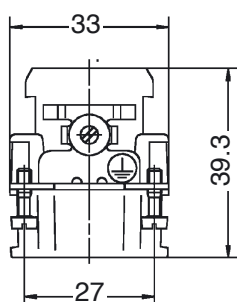
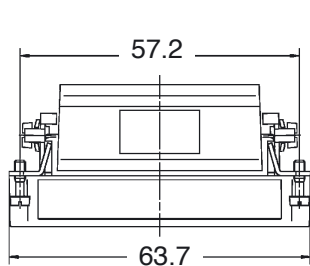


Male



Female

Dimensions



Version	Type	Cat. No.	Qty.
For stamped contacts			
Male	HDC-HD-24SCG	1572540000	5
For turned contacts			
Male	HDC-HD-24SCM	1650870000	5

Version	Type	Cat. No.	Qty.
For stamped contacts			
Female	HDC-HD-24BCG	1572550000	5
For turned contacts			
Female	HDC-HD-24BCM	1650890000	5

For crimp contacts see page 62 and 63

For crimp contacts see page 62 and 63

For accessories see section "Accessories"

Housings Group Size 4

Plug hood HB-10

Side locking lower side

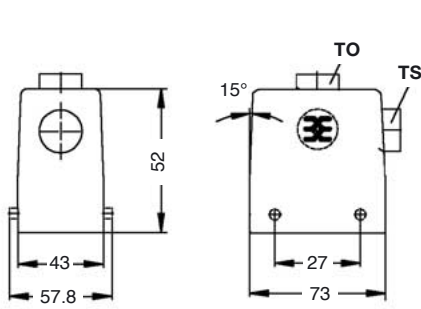


TOVU



TSVU

Dimensions



Version	Type	Cat. No.	Qty.
Standard housings, metric thread			
1 x M 20 sleeve	HDC HB10 TSVU 1xM20	1787560000	5
1 x M 25 sleeve	HDC HB10 TSVU 1xM25	1787550000	5
1 x M 20 thread	HDC HB10 TOVU 1xM20G	1787600000	5
1 x M 25 thread	HDC HB10 TOVU 1xM25G	1787590000	5
Standard housings, PG thread			
1 x Pg16 complete	HDC-HB-10-TSVU1/16P	1204800000	5
1 x Pg16 sleeve	HDC-HB-10-TSVU1/16	1654070000	5
1 x Pg21 complete	HDC-HB-10-TSVU1/21P	1654080000	5
1 x Pg21 sleeve	HDC-HB-10-TSVU1/21	1654090000	5
1 x Pg16 complete	HDC-HB-10-TOVU1/16P	1204700000	5
1 x Pg16 sleeve	HDC-HB-10-TOVU1/16	1654220000	5
1 x Pg21 complete	HDC-HB-10-TOVU1/21P	1654230000	5
1 x Pg21 sleeve	HDC-HB-10-TOVU1/21	1654240000	5

TSVU = Plug hood; Side cable entry, side locking lower side
 TOVU = Plug hood; Top cable entry, side locking lower side

Plug hood HBD-24

Side locking lower side / high version

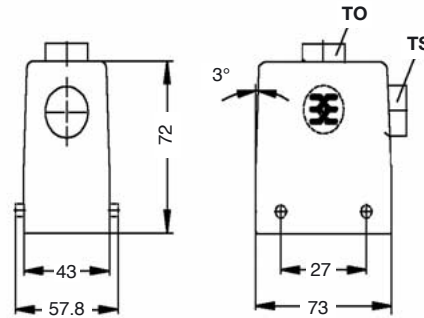


TOVU



TSVU

Dimensions



Version	Type	Cat. No.	Qty.
Standard housings, metric thread			
1 x M 25 thread	HDC HBD24 TSVU 1xM25G	1787240000	5
1 x M 32 thread	HDC HBD24 TSVU 1xM32G	1787230000	5
1 x M 25 thread	HDC HBD24 TOVU 1xM25G	1787300000	5
1 x M 32 thread	HDC HBD24 TOVU 1xM32G	1787290000	5
Standard housings, PG thread			
1 x Pg21 complete	HDC-HBD-24-TSVU1/21P	1654140000	5
1 x Pg21 sleeve	HDC-HBD-24-TSVU1/21	1654150000	5
1 x Pg29 complete	HDC-HBD-24-TSVU1/29P	1654160000	5
1 x Pg29 sleeve	HDC-HBD-24-TSVU1/29	1654170000	5
1 x Pg21 complete	HDC-HBD-24-TOVU1/21P	1654290000	5
1 x Pg29 complete	HDC-HBD-24-TOVU1/29P	1654310000	5

TSVU = Plug hood; Side cable entry, side locking lower side
 TOVU = Plug hood; Top cable entry, side locking lower side

Base housing HB-10 / HBD-24

Side locking

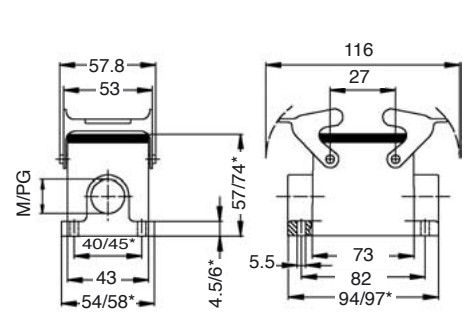


SVU



SVU

Dimensions



*HB/HBD

Version	Type	Cat. No.	Qty.
Standard housings, metric thread			
1 x M 20 thread	HDC HB10 SVU 2xM20G	1787640000	2
1 x M 25 thread	HDC HB10 SVU 2xM25G	1787630000	2
2 x M 25 thread	HDC HBD24 SVU 2xM25G	1787350000	2
2 x M 32 thread	HDC HBD24 SVU 2xM32G	1787360000	2
Standard housings, PG thread			
1 x Pg16 complete	HDC-HB-10-SVU1/16P	1205100000	2
1 x Pg16 sleeve	HDC-HB-10-SVU1/16	1654370000	2
2 x Pg16 complete	HDC-HB-10-SVU2/16P	1205200000	2
2 x Pg16 sleeve	HDC-HB-10-SVU2/16	1654380000	2
1 x Pg21 complete	HDC-HBD-24-SVU1/21P	1654420000	2
1 x Pg21 sleeve	HDC-HBD-24-SVU1/21	1654430000	2
1 x Pg29 sleeve	HDC-HBD-24-SVU1/29	1654470000	2
2 x Pg21 complete	HDC-HBD-24-SVU2/21P	1654440000	2
2 x Pg21 sleeve	HDC-HBD-24-SVU2/21	1654450000	2
2 x Pg29 complete	HDC-HBD-24-SVU2/29P	1654480000	2

SVU = Base housing, side locking

For accessories see section "Accessories"

Housings Group Size 4

Coupling hood HB-10 / HBD 24

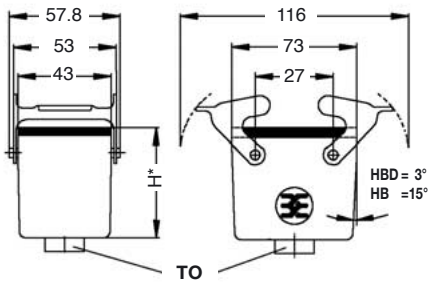
Side locking



KVV

KVV

Dimensions



*HB = 54.8
HBD = 74.8

Version	Type	Cat. No.	Qty.
Standard housings, metric thread			
1 x M 20 thread	HDC HB10 KVV 1xM20G	1787720000	5
1 x M 25 thread	HDC HB10 KVV 1xM25G	1787710000	5
1 x M 25 thread	HDC HBD24 KVV 1xM25G	1787440000	2
1 x M 32 thread	HDC HBD24 KVV 1xM32G	1787430000	2
Standard housings, PG thread			
1 x Pg16 complete	HDC-HB-10-KVV1/16P	1205300000	5
1 x Pg16 sleeve	HDC-HB-10-KVV1/16	1654580000	5
1 x Pg21 complete	HDC-HB-10-KVV1/21P	1654590000	5
1 x Pg21 complete	HDC-HBD-24-KVV1/21P	1654650000	2
1 x Pg29 complete	HDC-HBD-24-KVV1/29P	1654670000	2

KVV = Coupling hood, side locking

Cover for plug hood

Cover with cord



Type	Cat. No.	Qty.
Plastic cover		
HDC-HB-10-DT	1665240000	2

For accessories see section "Accessories"

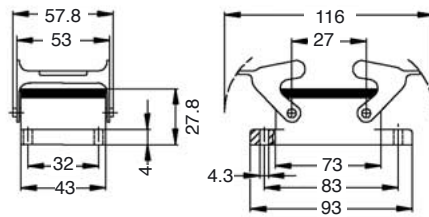
Bulkhead housing HB-10

Side locking



AVU

Dimensions

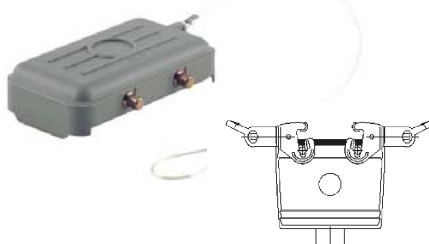


Version	Type	Cat. No.	Qty.
Standard housings			
	HDC-HB-10-AVU	1205000000	5

AVU = Bulkhead housing, side locking

Cover for lower side with side locking

Cover with cord



Type	Cat. No.	Qty.
Plastic cover		
HDC-HB-10-DB	1665230000	5

Plug hood HB-10 / HBD-24

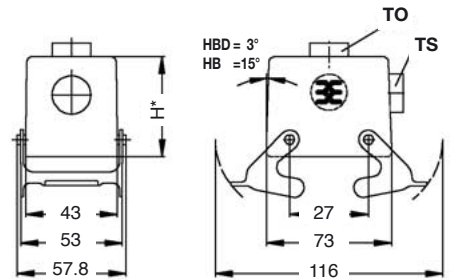
Side locking



TSVO

TSVO

Dimensions



*HB = 52
HBD = 72

Version	Type	Cat. No.	Qty.
Standard housings, metric thread			
1 x M 25 sleeve	HDC HB10 TSVO 1xM25	1787570000	5
1 x M 25 thread	HDC HB10 TOVO 1xM25G	1787610000	5
1 x M 25 thread	HDC HBD24 TSVO 1xM25G	1787260000	2
1 x M 32 thread	HDC HBD24 TSVO 1xM32G	1787250000	2
1 x M 25 thread	HDC HBD24 TOVO 1xM25G	1787320000	2
1 x M 32 thread	HDC HBD24 TOVO 1xM32G	1787310000	2
Standard housings, PG thread			
1 x Pg16 complete	HDC-HB-10-TSVO1/16P	1205500000	5
1 x Pg16 sleeve	HDC-HB-10-TSVO1/16	1654750000	5
1 x Pg16 complete	HDC-HB-10-TOVO1/16P	1205400000	5
1 x Pg16 sleeve	HDC-HB-10-TOVO1/16	1654860000	5
1 x Pg21 sleeve	HDC-HBD-24-TSVO1/21	1654790000	2
1 x Pg29 complete	HDC-HBD-24-TSVO1/29P	1654800000	2
1 x Pg29 sleeve	HDC-HBD-24-TSVO1/29	1654810000	2
1 x Pg21 complete	HDC-HBD-24-TOVO1/21P	1654890000	2
1 x Pg29 complete	HDC-HBD-24-TOVO1/29P	1654910000	2
1 x Pg29 sleeve	HDC-HBD-24-TOVO1/29	1654920000	2

TSVO = Plug hood; Side cable entry, side locking

TOVO = Plug hood; Top cable entry, side locking

Housings Group Size 4

Base housing HB-10 / HBD-24

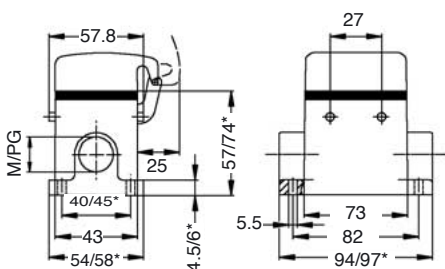
Side locking upper side



SDVO



Dimensions



*HB/HBD

Version	Type	Cat. No.	Qty.
Standard housings with cover, metric thread			
1 x M 20 thread	HDC HB10 SDVO 2xM20G	1787680000	2
1 x M 25 thread	HDC HB10 SDVO 2xM25G	1787670000	2
1 x M 25 thread	HDC HBD24 SDVO 2xM25G	1787400000	1
1 x M 32 thread	HDC HBD24 SDVO 2xM32G	1787390000	1
Standard housings with cover, PG thread			
1 x Pg16 complete	HDC-HB-10-SDVO1/16P	1205700000	2
1 x Pg16 sleeve	HDC-HB-10-SDVO1/16	1654990000	2
2 x Pg16 complete	HDC-HB-10-SDVO2/16P	1205800000	2
2 x Pg16 sleeve	HDC-HB-10-SDVO2/16	1655000000	2
1 x Pg21 complete	HDC-HBD-24-SDVO1/21P	1655050000	1
1 x Pg29 complete	HDC-HBD-24-SDVO1/29P	1655090000	1
2 x Pg29 complete	HDC-HBD-24-SDVO2/29P	1655110000	1

SDVO = Base housing with cover, side locking upper side

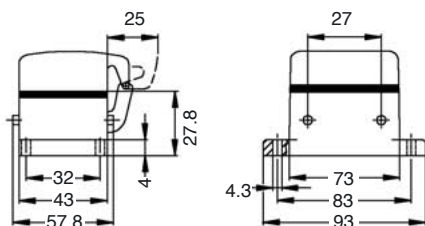
Bulkhead housing HB-10

With cover / side locking upper side



ADVO

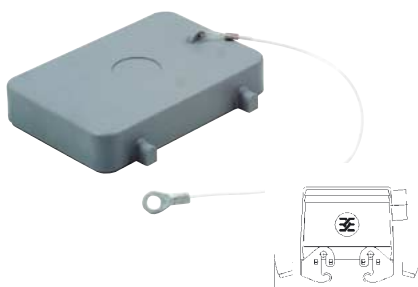
Dimensions



Version	Type	Cat. No.	Qty.
Standard housings with cover			
	HDC-HB-10-ADVO	1205600000	5
ADVO = Bulkhead housing with cover, Side locking upper side			

Cover for plug hood with side locking

Cover with cord



Type	Cat. No.	Qty.
Plastic cover		
HDC-HB-10-DBP	1665250000	5

Plug hood HB-10 / HBD-24

End locking /lower side

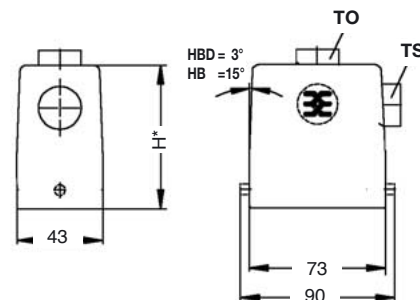


TOVL



TOVL

Dimensions



*HB = 52
HBD= 72

Version	Type	Cat. No.	Qty.
Standard housings, metric thread			
1 x M 25 sleeve	HDC HB10 TSVL 1xM25	1787580000	5
1 x M 25 thread	HDC HB10 TOVL 1xM25G	1787620000	5
1 x M 25 thread	HDC HBD24 TSVL 1xM25G	1787280000	2
1 x M 32 thread	HDC HBD24 TSVL 1xM32G	1787270000	2
1 x M 25 thread	HDC HBD24 TOVL 1xM25G	1787340000	2
1 x M 32 thread	HDC HBD24 TOVL 1xM32G	1787330000	2
Standard housings, PG thread			
1 x Pg16 complete	HDC-HB-10-TSVL1/16P	1206000000	5
1 x Pg16 sleeve	HDC-HB-10-TSVL1/16	1655210000	5
1 x Pg16 complete	HDC-HB-10-TOVL1/16P	1205900000	5
1 x Pg16 sleeve	HDC-HB-10-TOVL1/16	1655320000	5
1 x Pg21 complete	HDC-HBD-24-TSVL1/21P	1655240000	2
1 x Pg21 sleeve	HDC-HBD-24-TSVL1/21	1655250000	2
1 x Pg29 complete	HDC-HBD-24-TSVL1/29P	1655260000	2
1 x Pg29 sleeve	HDC-HBD-24-TSVL1/29	1655270000	2
1 x Pg21 complete	HDC-HBD-24-TOVL1/21P	1655350000	2
1 x Pg21 sleeve	HDC-HBD-24-TOVL1/21	1655360000	2
1 x Pg29 complete	HDC-HBD-24-TOVL1/29P	1655370000	2
1 x Pg29 sleeve	HDC-HBD-24-TOVL1/29	1655380000	2

TSVL = Plug hood; Side cable entry, end locking

TOVL = Plug hood; Top cable entry, end locking

For accessories see section "Accessories"

Housings Group Size 4

Base housing HB-10 / HBD-24

End locking, with/without cover



SVL



SDVL

Coupling hood HB-10 / HBD-24

End locking



KVL



KVL

Bulkhead housing HB-10

End locking, with/without cover

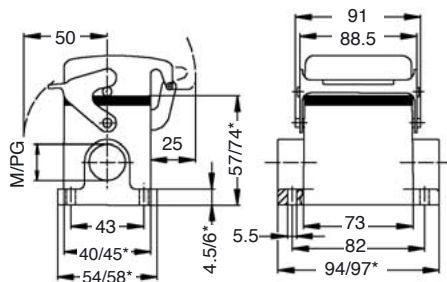


AVL



ADVL

Dimensions



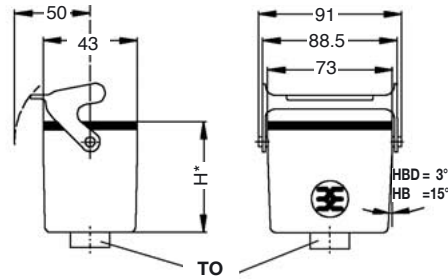
*HB/HBG

Version	Type	Cat. No.	Qty.
Standard housings, metric thread			
2 x M 20 thread	HDC HB10 SVL 2xM20G	1787660000	2
2 x M 25 thread	HDC HB10 SVL 2xM25G	1787650000	2
2 x M 25 thread	HDC HBD24 SVL 2xM25G	1787380000	2
2 x M 32 thread	HDC HBD24 SVL 2xM32G	1787370000	2
Standard housings with cover, metric thread			
2 x M 20 thread	HDC HB10 SDVL 2xM20G	1787700000	2
2 x M 25 thread	HDC HB10 SDVL 2xM25G	1787690000	2
1 x M 25 thread	HDC HBD24 SDVL 1xM25G	1787420000	1
1 x M 32 thread	HDC HBD24 SDVL 1xM32G	1787410000	1
Standard housings, PG thread			
1 x Pg16 complete	HDC-HB-10-SVL1/16P	1206200000	2
1 x Pg16 sleeve	HDC-HB-10-SVL1/16	1655460000	2
2 x Pg16 complete	HDC-HB-10-SVL2/16P	1206300000	2
2 x Pg16 sleeve	HDC-HB-10-SVL2/16	1655470000	2
1 x Pg21 complete	HDC-HBD-24-SVL1/21P	1655510000	2
1 x Pg29 complete	HDC-HBD-24-SVL1/29P	1655550000	2
Standard housings with cover, PG thread			
1 x Pg16 complete	HDC-HB-10-SDVL1/16P	1206600000	2
1 x Pg16 sleeve	HDC-HB-10-SDVL1/16	1655670000	2
2 x Pg16 complete	HDC-HB-10-SDVL2/16P	1206700000	1
2 x Pg16 sleeve	HDC-HB-10-SDVL2/16	1655680000	1
1 x Pg21 complete	HDC-HBD-24-SDVL1/21P	1655720000	1

SVL = Base housing, end locking

SDVL = Base housing with cover, end locking

Dimensions

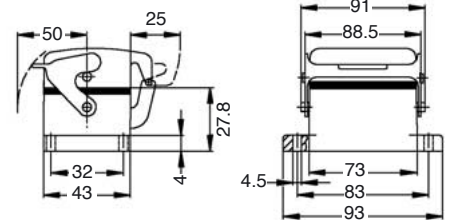


*HB = 54.8
HBD = 74.8

Version	Type	Cat. No.	Qty.
Standard housings, metric thread			
1 x M 20 thread	HDC HB10 KVL 1xM20G	1787740000	5
1 x M 25 thread	HDC HB10 KVL 1xM25G	1787730000	2
1 x M 25 thread	HDC HBD24 KVL 1xM25G	1787460000	2
1 x M 32 thread	HDC HBD24 KVL 1xM32G	1787450000	2
Standard housings, PG thread			
1 x Pg16 complete	HDC-HB-10-KVL1/16P	1655880000	5
1 x Pg16 sleeve	HDC-HB-10-KVL1/16	1655890000	5
1 x Pg21 complete	HDC-HB-10-KVL1/21P	1655900000	2

KVL = Coupling hood, end locking

Dimensions



Version	Type	Cat. No.	Qty.
Standard housings			
	HDC-HB-10-AVL	1206100000	5
Standard housings with cover			
	HDC-HB-10-ADVL	1206500000	2

AVL = Bulkhead housing, end locking

ADVL = Bulkhead housing with cover, end locking

For accessories see section "Accessories"

Inserts Group Size 5

Crimp connection series HD-25

25-pole

250 V-/max 10 A

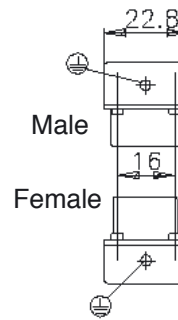
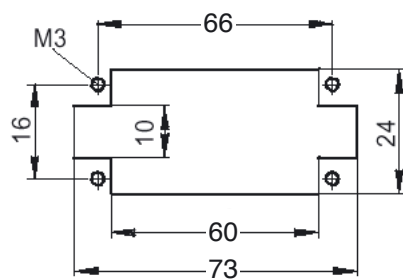
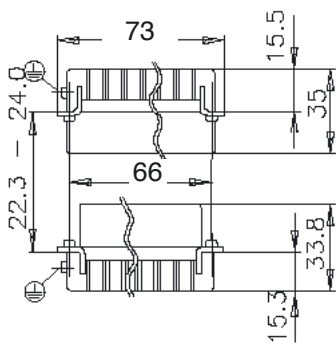


Male



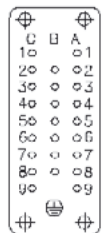
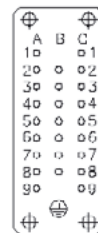
Female

Dimensions



Male

Female



View from cable side

Version	Type	Cat. No.	Qty.
For stamped contacts			
Male	HDC-HD-25SCG	1650790000	5
For turned contacts			
Male	HDC-HD-25SCM	1650810000	5

Version	Type	Cat. No.	Qty.
For stamped contacts			
Female	HDC-HD-25BCG	1650800000	5
For turned contacts			
Female	HDC-HD-25BCM	1650820000	5

For crimp contacts see page 62 and 63

For crimp contacts see page 62 and 63

For accessories see section "Accessories"

Housings Group Size 5

Plug hood HA-16 / HAD-25

End locking / lower side

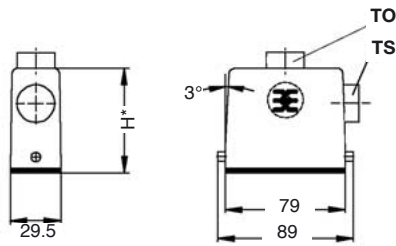


TOVL



TSVL

Dimensions



*HA = 58.3
HAD= 72.3

Version	Type	Cat. No.	Qty.
---------	------	----------	------

Standard housings, metric thread

1 x M 20 thread	HDC HA16 TOVL 1xM20G	1804680000	5
1 x M 25 thread	HDC HA16 TOVL 1xM25G	1788750000	5
1 x M 20 sleeve	HDC HA16 TSVL 1xM20	1804620000	5
1 x M 25 sleeve	HDC HA16 TSVL 1xM25	1788740000	5
1 x M 20 thread	HDC HAD25 TOVL 1xM20G	1788710000	5
1 x M 25 thread	HDC HAD25 TOVL 1xM25G	1788700000	5
1 x M 25 thread	HDC HAD25 TSVL 1xM25G	1788690000	5
1 x M 32 thread	HDC HAD25 TSVL 1xM32G	1788680000	5

Standard housings, PG thread

1 x Pg16 complete	HDC-HA-16-TOVL1/16P	1664800000	5
1 x Pg16 sleeve	HDC-HA-16-TOVL1/16	1664810000	5
1 x Pg16 complete	HDC-HA-16-TSVL1/16P	1664680000	5
1 x Pg16 sleeve	HDC-HA-16-TSVL1/16	1664690000	5
1 x Pg16 complete	HDC-HAD-25-TOVL1/16P	1664840000	5
1 x Pg16 sleeve	HDC-HAD-25-TOVL1/16	1664850000	5
1 x Pg21 complete	HDC-HAD-25-TOVL1/21P	1664860000	5
1 x Pg21 sleeve	HDC-HAD-25-TOVL1/21	1664870000	5
1 x Pg16 complete	HDC-HAD-25-TSVL1/16P	1664720000	5
1 x Pg16 sleeve	HDC-HAD-25-TSVL1/16	1664730000	5
1 x Pg21 complete	HDC-HAD-25-TSVL1/21P	1664740000	5
1 x Pg21 sleeve	HDC-HAD-25-TSVL1/21	1664750000	5

TOVL = Plug hood; Top cable entry, end locking
TSVL = Plug hood; Side cable entry, end locking

Base housing HA-16

End locking, with/without cover

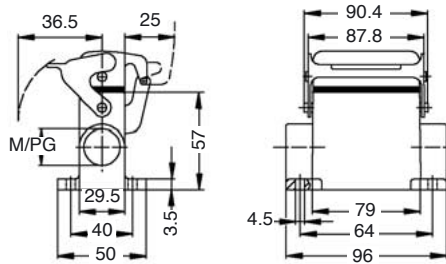


SVL



SDVL

Dimensions



Version	Type	Cat. No.	Qty.
---------	------	----------	------

Standard housings, metric thread

2 x M 20 thread	HDC HA16 SVL 2xM20G	1788770000	2
2 x M 25 thread	HDC HA16 SVL 2xM25G	1788760000	2
Standard housings with cover, metric thread			
2 x M 20 thread	HDC HA16 SDVL 2xM20G	1788790000	2
2 x M 25 thread	HDC HA16 SDVL 2xM25G	1788780000	2

Standard housings, PG thread

1 x Pg16 complete	HDC-HA-16-SVL1/16P	1665040000	2
1 x Pg16 sleeve	HDC-HA-16-SVL1/16	1665050000	2
1 x Pg21 complete	HDC-HA-16-SVL1/21P	1665080000	2
1 x Pg21 sleeve	HDC-HA-16-SVL1/21	1665090000	2
2 x Pg16 complete	HDC-HA-16-SVL2/16P	1665060000	2
2 x Pg16 sleeve	HDC-HA-16-SVL2/16	1665070000	2
2 x Pg21 complete	HDC-HA-16-SVL2/21P	1665100000	2
Standard housings with cover, PG thread			
1 x Pg16 complete	HDC-HA-16-SDVL1/16P	1665280000	2
2 x Pg16 complete	HDC-HA-16-SDVL2/16P	1665300000	2

SVL = Base housing, end locking
SDVL = Base housing with cover, end locking

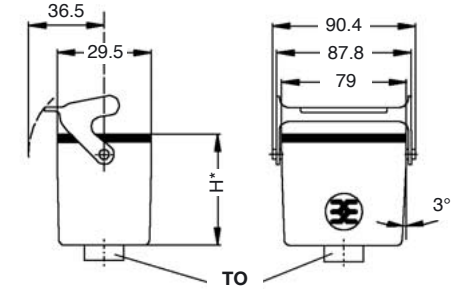
Coupling hood HA-16 / HAD-25

End locking



KVL

Dimensions



*HA = 53
HAD= 67

Version	Type	Cat. No.	Qty.
---------	------	----------	------

Standard housings, metric thread

1 x M 25 thread	HDC HA16 KVL 1xM25G	1788800000	5
1 x M 20 thread	HDC HAD25 KVL 1xM20G	1788730000	2
1 x M 25 thread	HDC HAD25 KVL 1xM25G	1788720000	2

Standard housings, PG thread

1 x Pg16 complete	HDC-HA-16-KVL1/16P	1665440000	5
1 x Pg16 sleeve	HDC-HA-16-KVL1/16	1665450000	5
1 x Pg16 complete	HDC-HAD-25-KVL1/16P	1665480000	2
1 x Pg21 complete	HDC-HAD-25-KVL1/21P	1665500000	2

KVL = Coupling hood, end locking

For accessories see section "Accessories"

Housings Group Size 5

Bulkhead housing HA-16

End locking / with/without cover

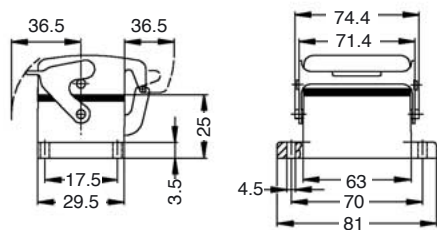


AVL



ADVL

Dimensions



Cover for plug hood

Cover with cord



Cover for housing with end locking

Cover with cord



Version	Type	Cat. No.	Qty.
Standard housings			
	HDC-HA-16-AVL	1664920000	5
Standard housings with cover			
	HDC-HA-16-ADVL	1664940000	5

Type	Cat. No.	Qty.
Plastic cover		
HDC-HA-16-KDF	1665910000	5

Type	Cat. No.	Qty.
Plastic cover		
HDC-HA-16-KDBF	1665900000	5

AVL = Bulkhead housing, end locking
ADVL = Bulkhead housing with cover, end locking

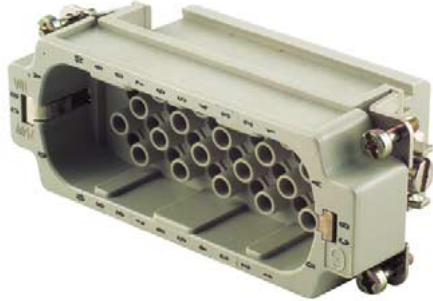
For accessories see section "Accessories"

Inserts Group Size 6

Crimp connection series HD-40

40-pole

250 V-/max 10 A

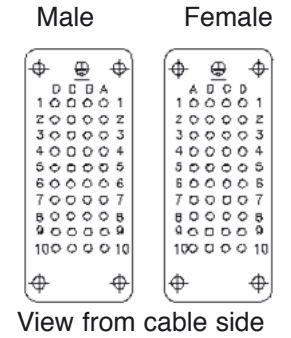
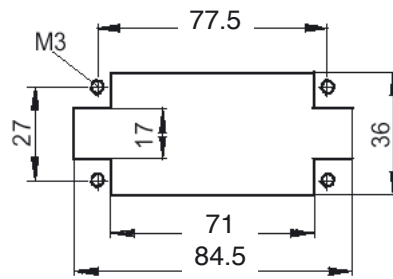
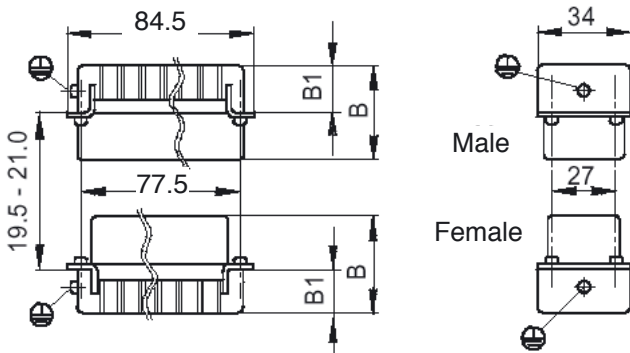


Male



Female

Dimensions



Version	Type	Cat. No.	Qty.
For stamped contacts			
Male	HDC-HD-40SCG	1572560000	5
For turned contacts			
Male	HDC-HD-40SCM	1601710000	5

Version	Type	Cat. No.	Qty.
For stamped contacts			
Female	HDC-HD-40BCG	1572570000	5
For turned contacts			
Female	HDC-HD-40BCM	1601730000	5

For crimp contacts see page 62 and 63

For crimp contacts see page 62 and 63

For accessories see section "Accessories"

Housings Group Size 6

Plug hood HB-16 / HBD-40

Side locking lower side

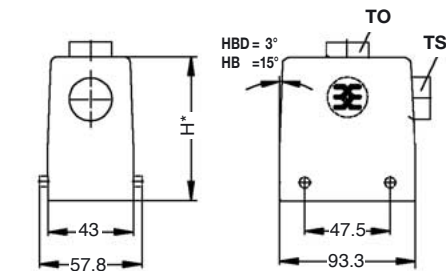


TSVU



TOVU

Dimensions



*HB = 61
HBD = 76

Version	Type	Cat. No.	Qty.
Standard housings, metric thread			
1 x M 25 sleeve	HDC HB16 TSVU 1xM25	1788180000	5
1 x M 25 thread	HDC HB16 TOVU 1xM25G	1788210000	5
1 x M 25 thread	HDC HBD40 TSVU 1xM25G	1787010000	5
1 x M 32 thread	HDC HBD40 TSVU 1xM32G	1787000000	5
1 x M 25 thread	HDC HBD40 TOVU 1xM25G	1787070000	5
1 x M 32 thread	HDC HBD40 TOVU 1xM32G	1787060000	5
Standard housings, PG thread			
1 x Pg21 complete	HDC-HB-16-TSVU1/21P	1208400000	5
1 x Pg21 sleeve	HDC-HB-16-TSVU1/21	1656480000	5
1 x Pg21 complete	HDC-HB-16-TOVU1/21P	1208300000	5
1 x Pg21 sleeve	HDC-HB-16-TOVU1/21	1656590000	5
1 x Pg21 complete	HDC-HBD-40-TSVU1/21P	1656510000	5
1 x Pg21 sleeve	HDC-HBD-40-TSVU1/21	1656520000	5
1 x Pg29 complete	HDC-HBD-40-TSVU1/29P	1656530000	5
1 x Pg29 sleeve	HDC-HBD-40-TSVU1/29	1656540000	5
1 x Pg21 complete	HDC-HBD-40-TOVU1/21P	1656620000	5
1 x Pg21 sleeve	HDC-HBD-40-TOVU1/21	1656630000	5
1 x Pg29 complete	HDC-HBD-40-TOVU1/29P	1656640000	5
1 x Pg29 sleeve	HDC-HBD-40-TOVU1/29	1656650000	5

TOVU = Plug hood; Top cable entry, side locking lower side

TSVU = Plug hood; Side cable entry, side locking lower side

For accessories see section "Accessories"

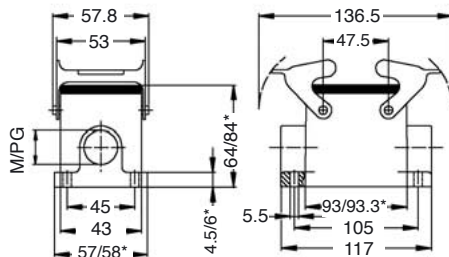
Base housing HB-16 / HBD-40

Side locking



SVU

Dimensions



*HB/HBD

Version	Type	Cat. No.	Qty.
Standard housings, metric thread			
1 x M 25 thread	HDC HB16 SVU 2xM25G	1788240000	2
2 x M 25 thread	HDC HBD40 SVU 2xM25G	1787120000	2
2 x M 32 thread	HDC HBD40 SVU 2xM32G	1787110000	2
Standard housings, PG thread			
1 x Pg21 complete	HDC-HB-16-SVU1/21P	1208700000	2
1 x Pg21 sleeve	HDC-HB-16-SVU1/21	1656720000	2
2 x Pg21 complete	HDC-HB-16-SVU2/21P	1208800000	2
2 x Pg21 sleeve	HDC-HB-16-SVU2/21	1656730000	2
1 x Pg21 sleeve	HDC-HBD-40-SVU1/21	1656790000	2
1 x Pg29 complete	HDC-HBD-40-SVU1/29P	1656820000	2
2 x Pg21 complete	HDC-HBD-40-SVU2/21P	1656800000	2
2 x Pg21 sleeve	HDC-HBD-40-SVU2/21	1656810000	2
2 x Pg29 complete	HDC-HBD-40-SVU2/29P	1656840000	2

SVU = Base housing, side locking lower side

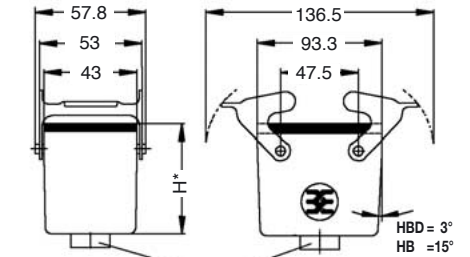
Coupling hood HB-16 / HBD-40

Side locking



KVVU

Dimensions



*HB = 63.8
HBD = 78.8

Version	Type	Cat. No.	Qty.
Standard housings, metric thread			
1 x M 25 thread	HDC HBD40 KVVU 1xM25G	1787200000	2
1 x M 32 thread	HDC HBD40 KVVU 1xM32G	1787190000	2
1 x M 25 thread	HDC HB16 KVVU 1xM25G	1788280000	2
Standard housings, PG thread			
1 x Pg21 complete	HDC-HB-16-KVVU1/21P	1208900000	2
1 x Pg21 sleeve	HDC-HB-16-KVVU1/21	1657270000	2
1 x Pg21 complete	HDC-HBD-40-KVVU1/21P	1657300000	2
1 x Pg21 sleeve	HDC-HBD-40-KVVU1/21	1657310000	2
1 x Pg29 complete	HDC-HBD-40-KVVU1/29P	1657320000	2

KVVU = Coupling hood, Side locking

Cover for plug hood

Cover with cord



Type	Cat. No.	Qty.
Plastic cover		
HDC-HB-16-DT	1665270000	2

Housings Group Size 6

Bulkhead housing HB-16

Side locking



AVU

Plug hood HB-16 / HBD-40

Side locking



TSVO



TOVO

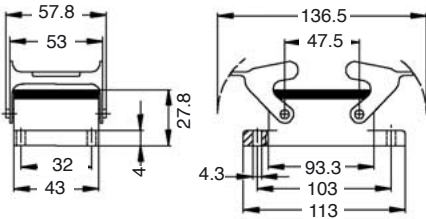
Base housing HB-16 / HBD-40

Side locking upper side

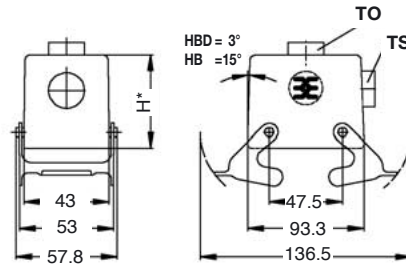


SDVO

Dimensions

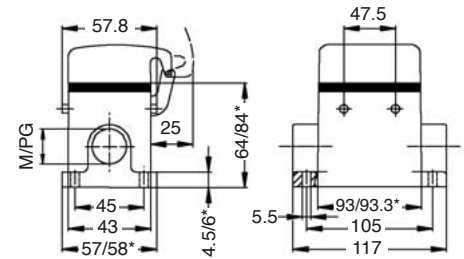


Dimensions



*HB = 61
HBD = 76

Dimensions



Version	Type	Cat. No.	Qty.
---------	------	----------	------

Standard housings

	HDC-HB-16-AVU	120860000	5
--	---------------	-----------	---

AVU = Bulkhead housing, side locking

Version	Type	Cat. No.	Qty.
---------	------	----------	------

Standard housings, metric thread

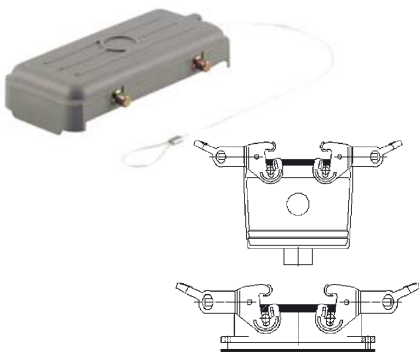
1 x M 25 sleeve	HDC HB16 TSVO 1xM25	1788190000	2
1 x M 25 thread	HDC HB16 TOVO 1xM25G	1788220000	2
1 x M 25 thread	HDC HBD40 TSVO 1xM25G	1787030000	2
1 x M 32 thread	HDC HBD40 TSVO 1xM32G	1787020000	2
1 x M 25 thread	HDC HBD40 TOVO 1xM25G	1787090000	2
1 x M 32 thread	HDC HBD40 TOVO 1xM32G	1787080000	2

Standard housings, PG thread

1 x Pg21 complete	HDC-HB-16-TSVO1/21P	1209100000	2
1 x Pg21 sleeve	HDC-HB-16-TSVO1/21	1657380000	2
1 x Pg21 complete	HDC-HB-16-TOVO1/21P	1209000000	2
1 x Pg21 sleeve	HDC-HB-16-TOVO1/21	1657490000	2
1 x Pg21 complete	HDC-HBD-40-TSVO1/21P	1657410000	2
1 x Pg21 sleeve	HDC-HBD-40-TSVO1/21	1657420000	2
1 x Pg29 complete	HDC-HBD-40-TSVO1/29P	1657430000	2
1 x Pg21 complete	HDC-HBD-40-TOVO1/21P	1657520000	2
1 x Pg29 complete	HDC-HBD-40-TOVO1/29P	1657540000	2
1 x Pg29 sleeve	HDC-HBD-40-TOVO1/29	1657550000	2

Cover for lower side with side locking

Cover with cord



Type	Cat. No.	Qty.
Plastic cover		
HDC-HB-16-DB	1665260000	2

For accessories see section "Accessories"

TSVO = Plug hood; Side cable entry, side locking

TOVO = Plug hood; Top cable entry, side locking

SDVO = Base housing with cover, side locking upper side

Housings Group Size 6

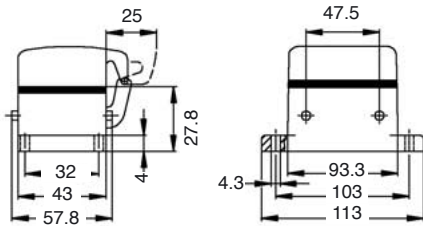
Bulkhead housing HB-16

Side locking upper side



ADVO

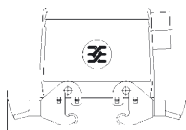
Dimensions



Version	Type	Cat. No.	Qty.
Standard housings			
	HDC-HB-16-ADVO	1209200000	2
ADVL = Bulkhead housing with cover, side locking			

Cover for plug hood with side locking

Cover with cord



Type	Cat. No.	Qty.
Plastic cover		
HDC-HB-16-DBP	1665620000	5

For accessories see section "Accessories"

Plug hood HB-16 / HBD-40

End locking / lower side / high version

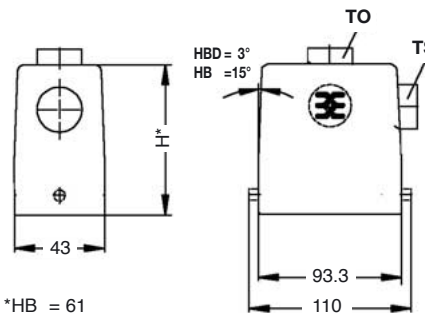


TOVL



TSVL

Dimensions



*HB = 61
HBD = 76

Version	Type	Cat. No.	Qty.
Standard housings, metric thread			
1 x M 25 sleeve	HDC HB16 TSVL 1xM25	1788200000	5
1 x M 25 thread	HDC HB16 TOVL 1xM25G	1788230000	5
1 x M 32 thread	HDC HB16 TSVL 1xM32G	1804640000	5
1 x M 32 thread	HDC HB16 TOVL 1xM32G	1804630000	5
1 x M 25 thread	HDC HBD40 TSVL 1xM25G	1787050000	5
1 x M 32 thread	HDC HBD40 TSVL 1xM32G	1787040000	5
1 x M 32 thread	HDC HBD40 TOVL 1xM32G	1787100000	5
Standard housings, PG thread			
1 x Pg21 complete	HDC-HB-16-TSVL1/21P	1209600000	5
1 x Pg21 sleeve	HDC-HB-16-TSVL1/21	1657850000	5
1 x Pg21 complete	HDC-HB-16-TOVL1/21P	1209500000	5
1 x Pg21 sleeve	HDC-HB-16-TOVL1/21	1657960000	5
1 x Pg21 complete	HDC-HBD-40-TSVL1/21P	1657880000	5
1 x Pg21 sleeve	HDC-HBD-40-TSVL1/21	1657890000	5
1 x Pg29 complete	HDC-HBD-40-TSVL1/29P	1657900000	5
1 x Pg29 sleeve	HDC-HBD-40-TSVL1/29	1657910000	5
1 x Pg21 complete	HDC-HBD-40-TOVL1/21P	1657990000	5
1 x Pg21 sleeve	HDC-HBD-40-TOVL1/21	1658000000	5
1 x Pg29 complete	HDC-HBD-40-TOVL1/29P	1658010000	5
1 x Pg29 sleeve	HDC-HBD-40-TOVL1/29	1658020000	5

TSVL = Plug hood; Side cable entry, end locking lower side
TOVL = Plug hood; Top cable entry, end locking lower side

Base housing HB-16 / HBD-40

End locking with/without cover

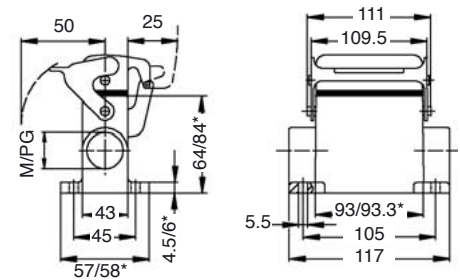


SVL



SDVL

Dimensions



*HB/HBD

Version	Type	Cat. No.	Qty.
Standard housings, metric thread			
2 x M 25 thread	HDC HB16 SVL 2xM25G	1788250000	2
2 x M 25 thread	HDC HBD40 SVL 2xM25G	1787140000	2
2 x M 32 thread	HDC HBD40 SVL 1xM32G	1804660000	2
2 x M 32 thread	HDC HBD40 SVL 2xM32G	1787130000	2
2 x M 25 thread	HDC HB16 SDVL 2xM25G	1788270000	2
2 x M 25 thread	HDC HBD40 SDVL 2xM25G	1787180000	2
2 x M 32 thread	HDC HBD40 SDVL 2xM32G	1787170000	2
Standard housings, PG thread			
1 x Pg21 complete	HDC-HB-16-SVL1/21P	1209800000	2
1 x Pg21 sleeve	HDC-HB-16-SVL1/21	1658110000	2
2 x Pg21 complete	HDC-HB-16-SVL2/21P	1209900000	2
2 x Pg21 sleeve	HDC-HB-16-SVL2/21	1658120000	2
1 x Pg21 complete	HDC-HB-16-SDVL1/21P	1210200000	2
1 x Pg21 sleeve	HDC-HB-16-SDVL1/21	1658320000	2
2 x Pg21 complete	HDC-HB-16-SDVL2/21P	1210300000	2
2 x Pg21 sleeve	HDC-HB-16-SDVL2/21	1658330000	2
1 x Pg21 complete	HDC-HBD-40-SDVL1/21P	1658370000	2
1 x Pg29 complete	HDC-HBD-40-SDVL1/29P	1658410000	2
2 x Pg29 complete	HDC-HBD-40-SDVL2/29P	1658430000	2

SVL = Base housing, end locking
SDVL = Base housing with cover, end locking

Housings Group Size 6

Coupling hood HB-16 / HBD-40

End locking



KVL

Bulkhead housing HB-16

End locking

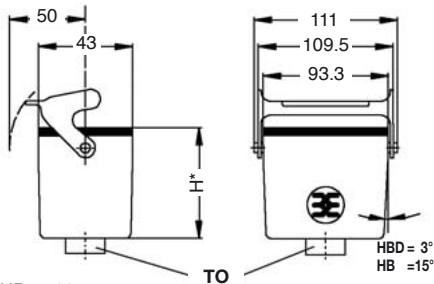


AVL



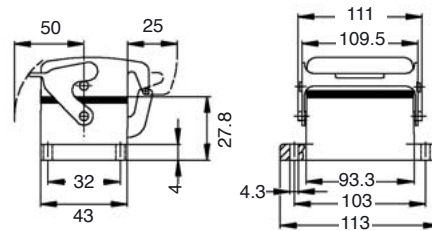
ADVL

Dimensions



*HB = 63.5
HBD = 78.5

Dimensions



Version	Type	Cat. No.	Qty.
Standard housings, metric thread			
1 x M 25 thread	HDC HB16 KVL 1xM25G	1788290000	2
1 x M 25 thread	HDC HBD40 KVL 1xM25G	1787220000	2
1 x M 32 thread	HDC HBD40 KVL 1xM32G	1787210000	2
Standard housings, PG thread			
1 x Pg21 complete	HDC-HB-16-KVL1/21P	1210000000	2
1 x Pg29 complete	HDC-HBD-40-KVL1/29P	1658580000	2

Version	Type	Cat. No.	Qty.
Standard housings			
	HDC-HB-16-AVL	1209700000	5
Standard housings with cover			
	HDC-HB-16-ADVL	1210100000	2
AVL = Bulkhead housing, end locking			
ADVL = Bulkhead housing with cover, end locking			

KVL = Coupling hood, end locking

For accessories see section "Accessories"

Housings Group Size 6

Plug hood HBD-40

Centre locking



TSVZ

Base housing HB-16 / HBD-40

Centre locking upper side



SVZ

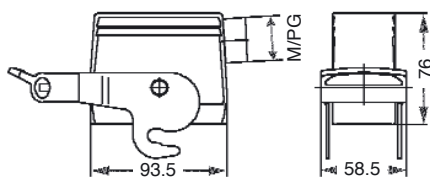
Bulkhead housing HB-16

Centre locking upper side

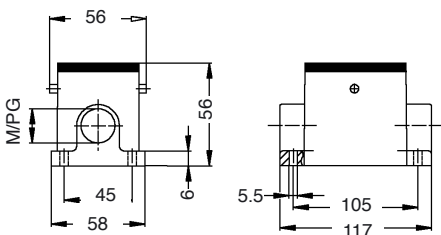


AVZ

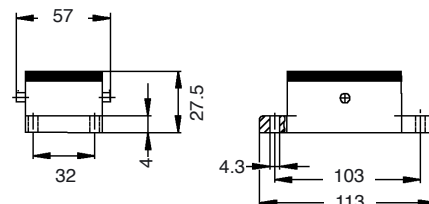
Dimensions



Dimensions



Dimensions



Version	Type	Cat. No.	Qty.
---------	------	----------	------

Standard housings, PG thread

1 x Pg21	complete HDC-HBD-40-TSVZ1/21P	1658680000	2
----------	-------------------------------	-------------------	---

Version	Type	Cat. No.	Qty.
---------	------	----------	------

Standard housings, PG thread

1 x Pg21	complete HDC-HB-16-SVZ1/21P	1600610000	2
1 x Pg21	sleeve HDC-HB-16-SVZ1/21	1658860000	2
2 x Pg21	complete HDC-HB-16-SVZ2/21P	1658870000	2

Version	Type	Cat. No.	Qty.
---------	------	----------	------

Standard housings

	HDC-HB-16-AVZ	1611360000	2
--	---------------	-------------------	---

TSVZ = Plug hood; Side cable entry, centre locking

SVZ = Base housing, centre locking

AVZ = Bulkhead housing, centre locking

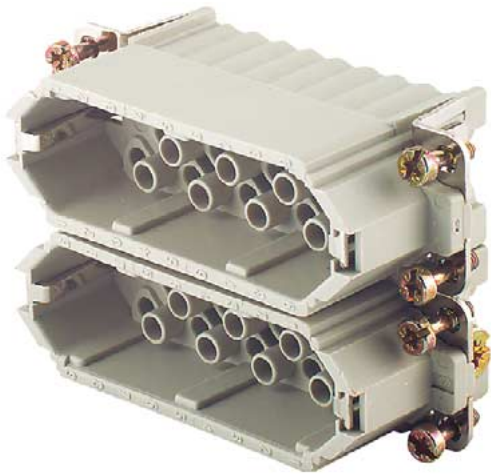
For accessories see section "Accessories"

Inserts Group Size 7

Crimp connection series HD-50

50-pole

250 V-/max 10 A

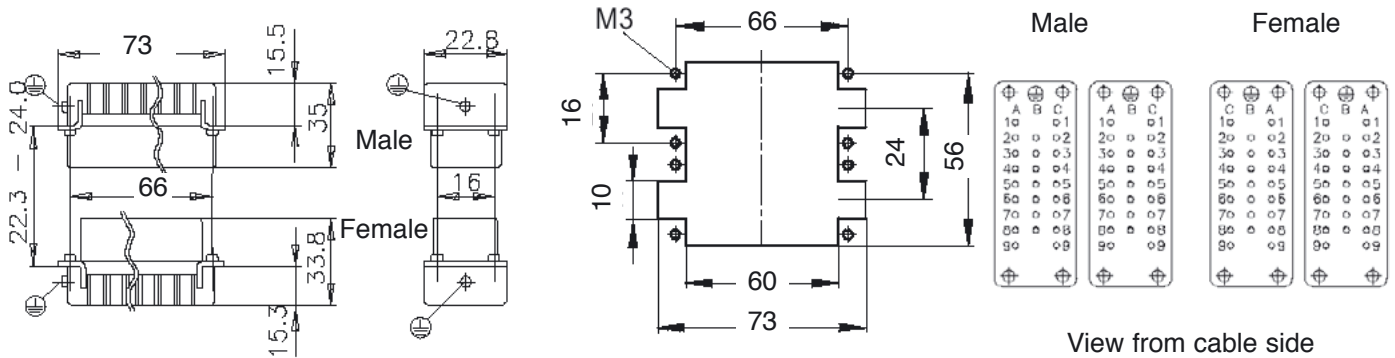


Male



Female

Dimensions



Version	Type	Cat. No.	Qty.
For stamped contacts			
Male	2x	HDC-HD-25SCG	1650790000
For turned contacts			
Male	2x	HDC-HD-25SCM	1650810000

Version	Type	Cat. No.	Qty.
For stamped contacts			
Female	2x	HDC-HD-25BCG	1650800000
For turned contacts			
Female	2x	HDC-HD-25BCM	1650820000

Please order two inserts per housing

Please order two inserts per housing

For crimp contacts see page 62 and 63

For crimp contacts see page 62 and 63

For accessories see section "Accessories"

Housings Group Size 7

Plug hood HA-32

Side locking lower side

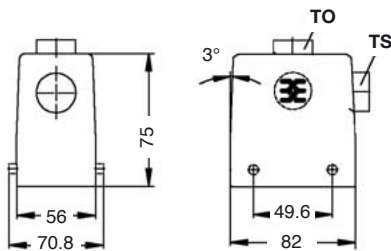


TOVU



TSVU

Dimensions



Version	Type	Cat. No.	Qty.
Standard housings, metric thread			
1 x M 25 thread	HDC HA32 TOVU 1xM25G	1788000000	2
1 x M 32 thread	HDC HA32 TOVU 1xM32G	1787990000	2
1 x M 25 thread	HDC HA32 TSVU 1xM25G	1787960000	2
1 x M 32 thread	HDC HA32 TSVU 1xM32G	1787950000	2
Standard housings, PG thread			
1 x Pg21 complete	HDC-HA-32-TOVU1/21P	1665780000	2
1 x Pg21 sleeve	HDC-HA-32-TOVU1/21	1665790000	2
1 x Pg29 complete	HDC-HA-32-TOVU1/29P	1665800000	2
1 x Pg29 sleeve	HDC-HA-32-TOVU1/29	1665810000	2
1 x Pg21 complete	HDC-HA-32-TSVU1/21P	1665660000	2
1 x Pg21 sleeve	HDC-HA-32-TSVU1/21	1665670000	2
1 x Pg29 complete	HDC-HA-32-TSVU1/29P	1665680000	2
1 x Pg29 sleeve	HDC-HA-32-TSVU1/29	1665690000	2

TOVU = Plug hood; Top cable entry, side locking lower side
TSVU = Plug hood; Side cable entry, side locking lower side

For accessories see section "Accessories"

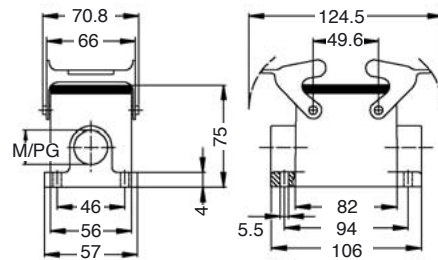
Base housing HA-32

Side locking



SVU

Dimensions



Version	Type	Cat. No.	Qty.
Standard housings, metric thread			
2 x M 25 thread	HDC HA32 SVU 2xM25G	1788040000	2
2 x M 32 thread	HDC HA32 SVU 2xM32G	1788030000	2
Standard housings, PG thread			
1 x Pg21 complete	HDC-HA-32-SVU1/21P	1665960000	2
1 x Pg29 complete	HDC-HA-32-SVU1/29P	1666000000	2
1 x Pg29 sleeve	HDC-HA-32-SVU1/29	1666010000	2
2 x Pg21 complete	HDC-HA-32-SVU2/21P	1665980000	2
2 x Pg29 complete	HDC-HA-32-SVU2/29P	1666020000	2

SVU = Base housing, side locking lower side

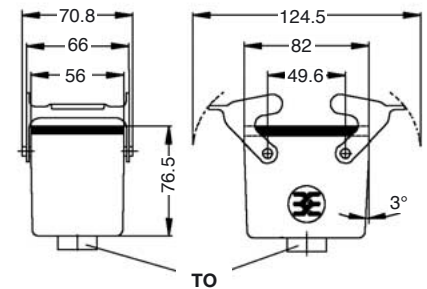
Coupling hood HA-32

Side locking



KVVU

Dimensions



Version	Type	Cat. No.	Qty.
Standard housings, metric thread			
1 x M 25 thread	HDC HA32 KVVU 1xM25G	1788080000	2
1 x M 32 thread	HDC HA32 KVVU 1xM32G	1788070000	2
Standard housings, PG thread			
1 x Pg21 complete	HDC-HA-32-KVVU1/21P	1666120000	2
1 x Pg29 complete	HDC-HA-32-KVVU1/29P	1666140000	2

KVVU = Coupling hood, side locking

Housings Group Size 7

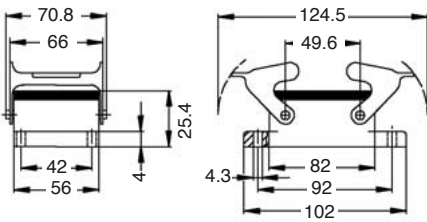
Bulkhead housing HA-32

Side locking



AVU

Dimensions



Version	Type	Cat. No.	Qty.
Standard housings			
	HDC-HA-32-AVU	1665860000	2

AVU = Bulkhead housing, side locking lower side

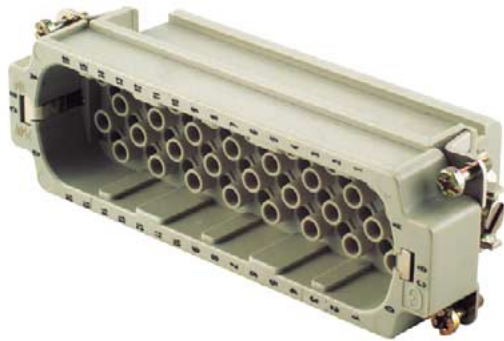
For accessories see section "Accessories"

Inserts Group Size 8

Crimp connection series HD-64

64-pole

250 V-/max 10 A

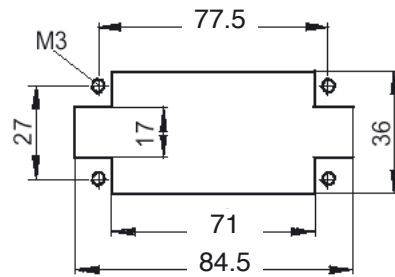
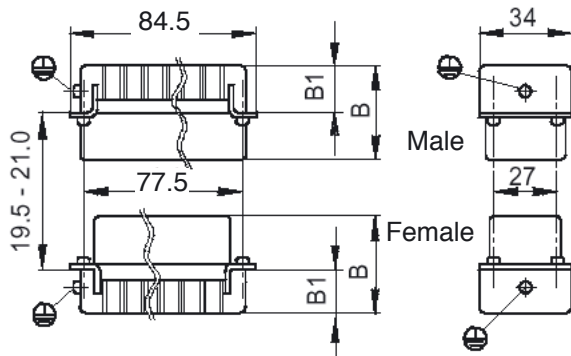


Male

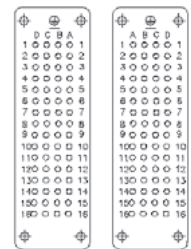


Female

Dimensions



Male Female



View from cable side

Version	Type	Cat. No.	Qty.
For stamped contacts			
Male	HDC-HD-64SCG	1572580000	5
For turned contacts			
Male	HDC-HD-64SCM	1601720000	5

Version	Type	Cat. No.	Qty.
For stamped contacts			
Female	HDC-HD-64BCG	1572590000	5
For turned contacts			
Female	HDC-HD-64BCM	1601740000	5

For crimp contacts see page 62 and 63

For crimp contacts see page 62 and 63

For accessories see section "Accessories"

Housings Group Size 8

Plug hood HB-24

Side locking lower side

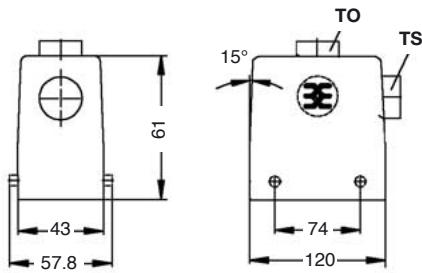


TOVU



TSVU

Dimensions



Version	Type	Cat. No.	Qty.
Standard housings, metric thread			
1 x M 25 thread	HDC HB24 TOVU 1xM25G	1787820000	2
1 x M 32 sleeve	HDC HB24 TSVU 1xM32	1787750000	2
1 x M 25 sleeve	HDC HB24 TSVU 1xM25	1787760000	2
1 x M 32 thread	HDC HB24 TOVU 1xM32G	1787810000	2
Standard housings, PG thread			
1 x Pg21 complete	HDC-HB-24-TSVU1/21P	1212100000	2
1 x Pg21 sleeve	HDC-HB-24-TSVU1/21	1661230000	2
1 x Pg29 complete	HDC-HB-24-TSVU1/29P	1212200000	2
1 x Pg29 sleeve	HDC-HB-24-TSVU1/29	1661240000	2
1 x Pg21 complete	HDC-HB-24-TOVU1/21P	1211900000	2
1 x Pg21 sleeve	HDC-HB-24-TOVU1/21	1661370000	2
1 x Pg29 complete	HDC-HB-24-TOVU1/29P	1212000000	2
1 x Pg29 sleeve	HDC-HB-24-TOVU1/29	1661380000	2

TOVU = Plug hood; Top cable entry, side locking lower side
TSVU = Plug hood; Side cable entry, side locking lower side

Plug hood HBD-64

Side locking lower side / high version

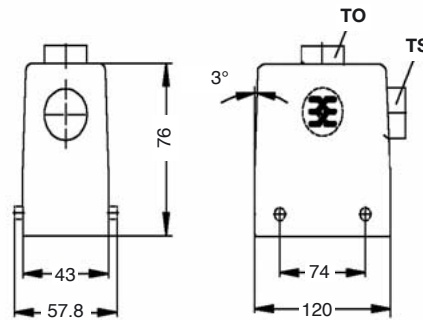


TOVU



TSVU

Dimensions



Version	Type	Cat. No.	Qty.
Standard housings, metric thread			
1 x M 25 thread	HDC HBD64 TSVU 1xM25G	1786780000	2
1 x M 32 thread	HDC HBD64 TSVU 1xM32G	1786770000	2
1 x M 25 thread	HDC HBD64 TOVU 1xM25G	1786840000	2
1 x M 32 thread	HDC HBD64 TOVU 1xM32G	1786830000	2
Standard housings, PG thread			
1 x Pg21 complete	HDC-HBD-64-TSVU1/21P	1661290000	2
1 x Pg21 sleeve	HDC-HBD-64-TSVU1/21	1661300000	2
1 x Pg29 complete	HDC-HBD-64-TSVU1/29P	1661310000	2
1 x Pg29 sleeve	HDC-HBD-64-TSVU1/29	1661320000	2
1 x Pg21 complete	HDC-HBD-64-TOVU1/21P	1661430000	2
1 x Pg21 sleeve	HDC-HBD-64-TOVU1/21	1661440000	2
1 x Pg29 complete	HDC-HBD-64-TOVU1/29P	1661450000	2
1 x Pg29 sleeve	HDC-HBD-64-TOVU1/29	1661460000	2

TOVU = Plug hood; Top cable entry, side locking lower side
TSVU = Plug hood; Side cable entry, side locking lower side

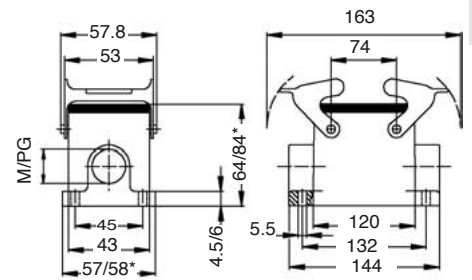
Base housing HB-24 / HBD-64

Side locking



SVU

Dimensions



*HB/HBD

Version	Type	Cat. No.	Qty.
Standard housings, metric thread			
2 x M 25 thread	HDC HB24 SVU 2xM25G	1787870000	2
2 x M 25 thread	HDC HBD64 SVU 2xM25G	1786890000	2
2 x M 32 thread	HDC HBD64 SVU 2xM32G	1786880000	2
Standard housings, PG thread			
1 x Pg21 complete	HDC-HB-24-SVU1/21P	1212500000	2
1 x Pg21 sleeve	HDC-HB-24-SVU1/21	1661510000	2
2 x Pg21 complete	HDC-HB-24-SVU2/21P	1212600000	2
2 x Pg21 sleeve	HDC-HB-24-SVU2/21	1661520000	2
1 x Pg21 complete	HDC-HBD-64-SVU1/21P	1661560000	2
1 x Pg21 sleeve	HDC-HBD-64-SVU1/21	1661570000	2
1 x Pg29 complete	HDC-HBD-64-SVU1/29P	1661600000	2
1 x Pg29 sleeve	HDC-HBD-64-SVU1/29	1661610000	2
2 x Pg21 complete	HDC-HBD-64-SVU2/21P	1661580000	2
2 x Pg21 sleeve	HDC-HBD-64-SVU2/21	1661590000	2
2 x Pg29 complete	HDC-HBD-64-SVU2/29P	1661620000	2
2 x Pg29 sleeve	HDC-HBD-64-SVU2/29	1661630000	2

SVU = Base housing, side locking

For accessories see section "Accessories"

Housings Group Size 8

Coupling hood HB-24 / HBD-64

Side locking

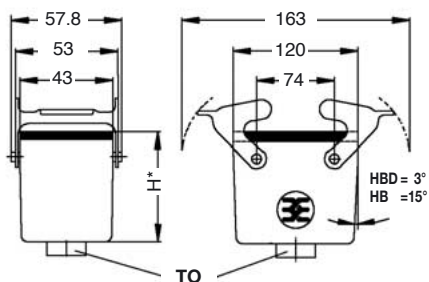


KVU



KVU

Dimensions



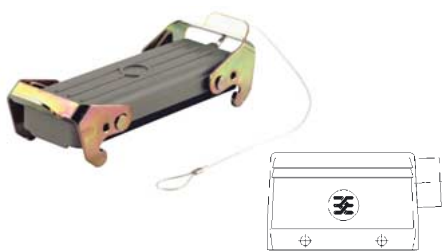
*HB = 63.8
HBD= 78.8

Version	Type	Cat. No.	Qty.
Standard housings, metric thread			
1 x M 25 thread	HDC HB24 KVU 1xM25G	1787920000	2
1 x M 32 thread	HDC HB24 KVU 1xM32G	1787910000	2
1 x M 25 thread	HDC HBD64 KVU 1xM25G	1786970000	2
1 x M 32 thread	HDC HBD64 KVU 1xM32G	1786960000	2
Standard housings, PG thread			
1 x Pg21 complete	HDC-HB-24-KVU1/21P	1212700000	2
1 x Pg21 sleeve	HDC-HB-24-KVU1/21	1661720000	2
1 x Pg29 complete	HDC-HB-24-KVU1/29P	1212800000	2
1 x Pg29 sleeve	HDC-HB-24-KVU1/29	1661730000	2
1 x Pg21 complete	HDC-HBD-64-KVU1/21P	1661780000	2
1 x Pg29 complete	HDC-HBD-64-KVU1/29P	1661800000	2

KVU = Coupling hood, side locking

Cover for plug hood

Cover with cord



Type	Cat. No.	Qty.
Plastic cover		
HDC-HB-24-DT	1665640000	2

For accessories see section "Accessories"

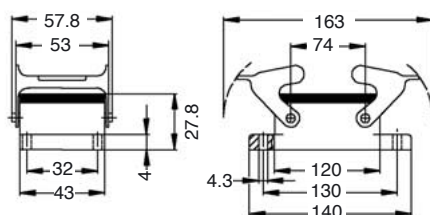
Bulkhead housing HB-24

Side locking



AVU

Dimensions

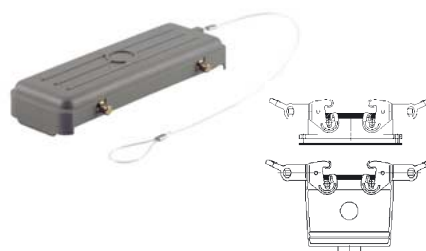


Version	Type	Cat. No.	Qty.
Standard housings			
	HDC-HB-24-AVU	1212400000	2

AVU = Bulkhead housing, side locking

Cover for lower side with side locking

Cover with cord



Type	Cat. No.	Qty.
Plastic cover		
HDC-HB-24-DB	1665630000	2

Plug hood HB-24 / HBD-64

Side locking upper side

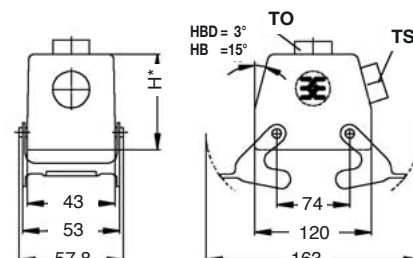


TOVO



TSVO

Dimensions



*HB = 61
HBD= 76

Version	Type	Cat. No.	Qty.
Standard housings, metric thread			
1 x M 25 sleeve	HDC HB24 TSVO 1xM25	1787780000	2
1 x M 32 sleeve	HDC HB24 TSVO 1xM32	1787770000	2
1 x M 25 thread	HDC HB24 TOVO 1xM25G	1787840000	2
1 x M 32 thread	HDC HB24 TOVO 1xM32G	1787830000	2
1 x M 25 thread	HDC HBD64 TOVO 1xM25G	1786850000	2
1 x M 32 thread	HDC HBD64 TOVO 1xM32G	1804670000	2
1 x M 25 thread	HDC HBD64 TSVO 1xM25G	1786800000	2
1 x M 32 thread	HDC HBD64 TSVO 1xM32G	1786790000	2

Version	Type	Cat. No.	Qty.
Standard housings, PG thread			
1 x Pg21 complete	HDC-HB-24-TSVO1/21P	1213100000	2
1 x Pg21 sleeve	HDC-HB-24-TSVO1/21	1661860000	2
1 x Pg29 complete	HDC-HB-24-TSVO1/29P	1661870000	2
1 x Pg29 sleeve	HDC-HB-24-TSVO1/29	1661880000	2
1 x Pg21 complete	HDC-HB-24-TOVO1/21P	1212900000	2
1 x Pg21 sleeve	HDC-HB-24-TOVO1/21	1662010000	2
1 x Pg29 complete	HDC-HB-24-TOVO1/29P	1213000000	2
1 x Pg29 sleeve	HDC-HB-24-TOVO1/29	1662020000	2
1 x Pg21 complete	HDC-HBD-64-TOVO1/21P	1662070000	2
1 x Pg21 sleeve	HDC-HBD-64-TOVO1/21	1662080000	2
1 x Pg29 complete	HDC-HBD-64-TOVO1/29P	1662090000	2
1 x Pg29 sleeve	HDC-HBD-64-TOVO1/29	1662100000	2
1 x Pg21 complete	HDC-HBD-64-TSVO1/21P	1661930000	2
1 x Pg21 sleeve	HDC-HBD-64-TSVO1/21	1661940000	2
1 x Pg29 complete	HDC-HBD-64-TSVO1/29P	1661950000	2
1 x Pg29 sleeve	HDC-HBD-64-TSVO1/29	1661960000	2

TOVO = Plug hood; Top cable entry, side locking

TSVO = Plug hood; Side cable entry, side locking

Housings Group Size 8

Base housing HB-24 / HBD-64

Side locking upper side

Group size 8



SDVO

Bulkhead housing HB-24

Side locking upper side

Group size 8



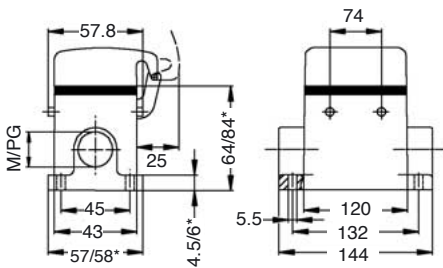
ADVO

Cover for plug hood with side locking

Cover with cord

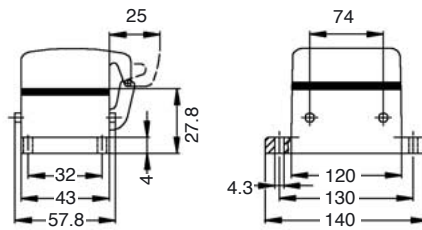


Dimensions

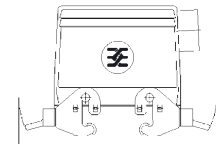


*HB/HBD

Dimensions



Dimensions



Version	Type	Cat. No.	Qty.
Standard housings with cover, metric thread			
2 x M 25 thread	HDC HB24 SDVO 2xM25G	1787890000	2
2 x M 25 thread	HDC HBD64 SDVO 2xM25G	1786930000	2
2 x M 32 thread	HDC HBD64 SDVO 2xM32G	1786920000	2
Standard housings with cover, metric thread			
1 x Pg21 complete	HDC-HB-24-SDVO1/21P	1213400000	2
1 x Pg21 sleeve	HDC-HB-24-SDVO1/21	1662170000	2
2 x Pg21 complete	HDC-HB-24-SDVO2/21P	1213500000	2
2 x Pg21 sleeve	HDC-HB-24-SDVO2/21	1662180000	2
1 x Pg29 complete	HDC-HBD-64-SDVO1/29P	1662270000	2
1 x Pg29 sleeve	HDC-HBD-64-SDVO1/29	1662280000	2
2 x Pg21 complete	HDC-HBD-64-SDVO2/21P	1662250000	2

Version	Type	Cat. No.	Qty.
Standard housings with cover			
	HDC-HB-24-ADVO	1213300000	2

Type	Cat. No.	Qty.
Plastic cover		
HDC-HB-24-DBP	1665650000	2

SDVO = Base housing with cover, side locking upper side

ADVO = Bulkhead housing with cover, side locking upper side

For accessories see section "Accessories"

Housings Group Size 8

Plug hood HB-24

End locking / lower side

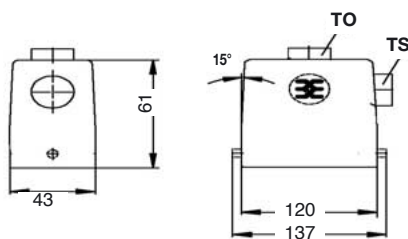


TOVL



TSVL

Dimensions



Version	Type	Cat. No.	Qty.
Standard housings, metric thread			
1 x M 25 sleeve	HDC HB24 TSVL 1xM25	1787800000	2
1 x M 32 sleeve	HDC HB24 TSVL 1xM32	1787790000	2
1 x M 25 thread	HDC HB24 TOVL 1xM25G	1787860000	2
1 x M 32 thread	HDC HB24 TOVL 1xM32G	1787850000	2
Standard housings, PG thread			
1 x Pg21 complete	HDC-HB-24-TSVL1/21P	1213800000	2
1 x Pg21 sleeve	HDC-HB-24-TSVL1/21	1662390000	2
1 x Pg29 complete	HDC-HB-24-TSVL1/29P	1662400000	2
1 x Pg29 sleeve	HDC-HB-24-TSVL1/29	1662410000	2
1 x Pg21 complete	HDC-HB-24-TOVL1/21P	1213600000	2
1 x Pg21 sleeve	HDC-HB-24-TOVL1/21	1662540000	2
1 x Pg29 complete	HDC-HB-24-TOVL1/29P	1213700000	2
1 x Pg29 sleeve	HDC-HB-24-TOVL1/29	1662550000	2

TOVL Plug hood; Top cable entry, end locking lower side
TSVL = Plug hood; Side cable entry, end locking lower side

Plug hood HBD-64

End locking / lower side / high version

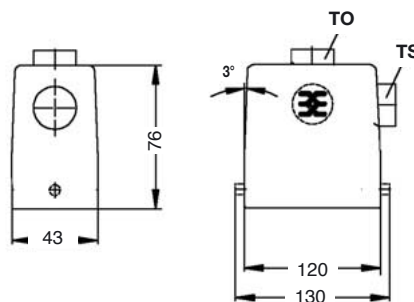


TOVL



TSVL

Dimensions



Version	Type	Cat. No.	Qty.
Standard housings, metric thread			
1 x M 25 thread	HDC HBD64 TSVL 1xM25G	1786820000	2
1 x M 32 thread	HDC HBD64 TSVL 1xM32G	1786810000	2
1 x M 25 thread	HDC HBD64 TOVL 1xM25G	1786870000	2
1 x M 32 thread	HDC HBD64 TOVL 1xM32G	1786860000	2
Standard housings, PG thread			
1 x Pg21 complete	HDC-HBD-64-TSVL1/21P	1662460000	2
1 x Pg21 sleeve	HDC-HBD-64-TSVL1/21	1662470000	2
1 x Pg29 complete	HDC-HBD-64-TSVL1/29P	1662480000	2
1 x Pg29 sleeve	HDC-HBD-64-TSVL1/29	1662490000	2
1 x Pg29 complete	HDC-HBD-64-TOVL1/29P	1662620000	2
1 x Pg29 sleeve	HDC-HBD-64-TOVL1/29	1662630000	2

TOVL Plug hood; Top cable entry, end locking lower side
TSVL = Plug hood; Side cable entry, end locking lower side

Base housing HB-24 / HBD-64

End locking / with/without cover

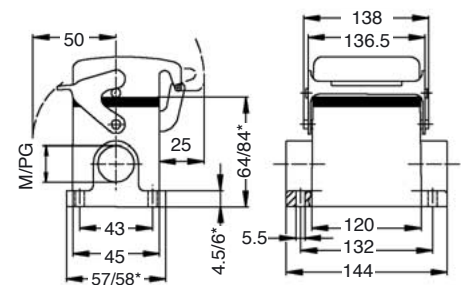


SVL



SDVL

Dimensions



*HB/HBD

Version	Type	Cat. No.	Qty.
Standard housings, metric thread			
2 x M 25 thread	HDC HB24 SVL 2xM25G	1787880000	2
2 x M 25 thread	HDC HBD64 SVL 2xM25G	1786910000	2
2 x M 32 thread	HDC HBD64 SVL 2xM32G	1786900000	2
2 x M 25 thread	HDC HBD64 SDVL 2xM25G	1786950000	2
2 x M 32 thread	HDC HBD64 SDVL 2xM32G	1786940000	2
Standard housings with cover, metric thread			
2 x M 25 thread	HDC HB24 SDVL 2xM25G	1787900000	2
Standard housings, PG thread			
1 x Pg21 complete	HDC-HB-24-SVL1/21P	1214000000	2
1 x Pg21 sleeve	HDC-HB-24-SVL1/21	1662710000	2
2 x Pg21 complete	HDC-HB-24-SVL2/21P	1214100000	2
2 x Pg21 sleeve	HDC-HB-24-SVL2/21	1662720000	2
2 x Pg21 complete	HDC-HBD-64-SVL2/21P	1662780000	2
Standard housings with cover, PG thread			
1 x Pg21 complete	HDC-HB-24-SDVL1/21P	1214400000	2
1 x Pg21 sleeve	HDC-HB-24-SDVL1/21	1662920000	2
2 x Pg21 complete	HDC-HB-24-SDVL2/21P	1214500000	2
2 x Pg29 sleeve	HDC-HBD-64-SDVL2/29	1663040000	2
1 x Pg21 complete	HDC-HBD-64-SDVL1/21P	1662970000	2
1 x Pg29 complete	HDC-HBD-64-SDVL1/29P	1663010000	2

SVL = Base housing, end locking
SDVL = Base housing with cover, end locking

For accessories see section "Accessories"

Housings Group Size 8

Coupling hood HB-24 / HBD-64

End locking



KVL

Bulkhead housing HB-24

End locking, with/without cover

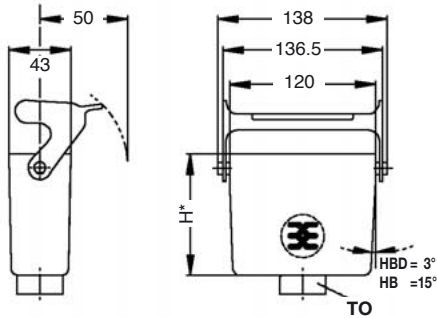


AVL



ADVL

Dimensions

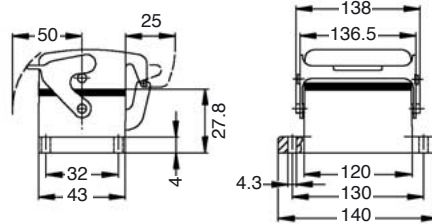


*HB = 63.8
HBD = 78.8

Version	Type	Cat. No.	Qty.
Standard housings, metric thread			
1 x M 25 thread	HDC HB24 KVL 1xM25G	1787940000	2
1 x M 32 thread	HDC HB24 KVL 1xM32G	1787930000	2
1 x M 25 thread	HDC HBD64 KVL 1xM25G	1786990000	2
1 x M 32 thread	HDC HBD64 KVL 1xM32G	1786980000	2
Standard housings, PG thread			
1 x Pg21 complete	HDC-HB-24-KVL1/21P	1663130000	2
1 x Pg29 complete	HDC-HB-24-KVL1/29P	1214200000	2
1 x Pg29 complete	HDC-HBD-64-KVL1/29P	1663220000	2

KVL = Coupling hood, end locking

Dimensions



Version	Type	Cat. No.	Qty.
Standard housings			
	HDC-HB-24-AVL	1213900000	2
Standard housings with cover			
	HDC-HB-24-ADVL	1214300000	2

AVL = Bulkhead housing, end locking

ADVL = Bulkhead housing with cover, end locking

For accessories see section "Accessories"

Housings Group Size 8

Plug hood HBD-64

Centre locking



TSVZ

Base housing HB-24

Centre locking upper side



SVZ

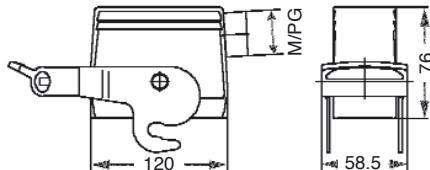
Bulkhead housing HB-24

Centre locking

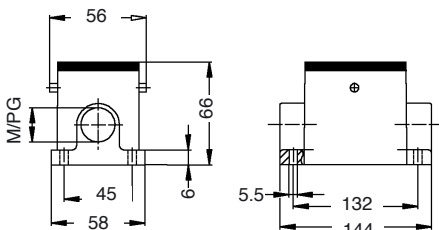


AVZ

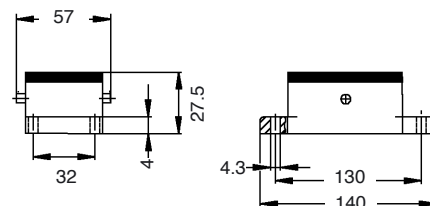
Dimensions



Dimensions



Dimensions



Version	Type	Cat. No.	Qty.
Standard housings, metric thread			
1 x Pg21	complete HDC-HBD-64-TSVZ1/21P	1663360000	2
1 x Pg29	complete HDC-HBD-64-TSVZ1/29P	1603510000	2
1 x Pg29	sleeve HDC-HBD-64-TSVZ1/29	1663390000	2

Version	Type	Cat. No.	Qty.
Standard housings, PG thread			
1 x Pg21	complete HDC-HB-24-SVZ1/21P	1600620000	2

Version	Type	Cat. No.	Qty.
Standard housings			
	HDC-HB-24-AVZ	1611350000	2

TSVZ = Plug hood; Side cable entry, centre locking

SVZ = Base housing, centre locking

AVZ = Bulkhead housing, centre locking

For accessories see section "Accessories"

Inserts Group Size 10

Crimp connection series HD-80

80-pole

250 V-/max 10 A

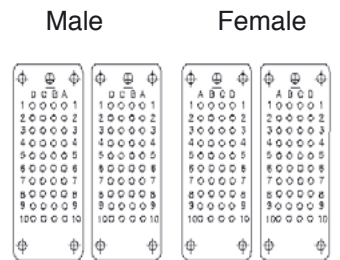
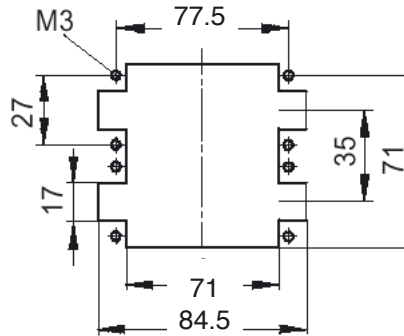
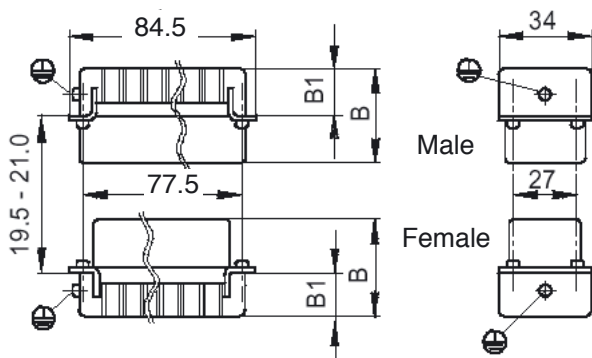


Male



Female

Dimensions



View from cable side

Version	Type	Cat. No.	Qty.
2 x HD 40			
For stamped contacts			
Male	2x HDC-HD-40SCG	1572560000	5
For turned contacts			
Male	2x HDC-HD-40SCM	1601710000	

Please order two inserts per housing

Version	Type	Cat. No.	Qty.
2 x HD 40			
For stamped contacts			
Female	2x HDC-HD-40BCG	1572570000	5
For turned contacts			
Female	2x HDC-HD-40BCM	1601730000	5

Please order two inserts per housing

For crimp contacts see page 62 and 63

For crimp contacts see page 62 and 63

For accessories see section "Accessories"

Housings Group Size 10

Plug hood HB-32

End locking / lower side



TOVL

Base housing HB-32

End locking with/without cover



SVL

Coupling hood HB-32

End locking / with cover

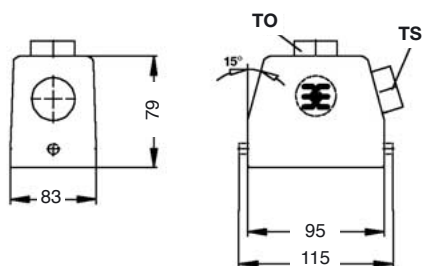


KDVL

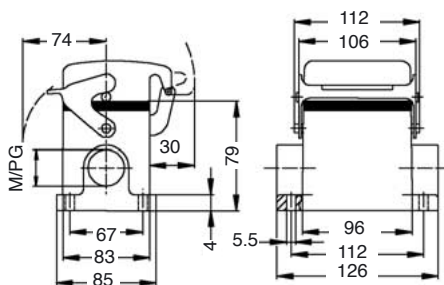


SDVL

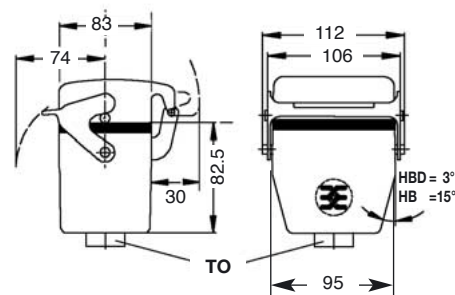
Dimensions



Dimensions



Dimensions



Version	Type	Cat. No.	Qty.
Standard housings, metric thread			
1 x M 32 thread	HDC HB32 TSVL 1xM32G	1788420000	1
1 x M 32 thread	HDC HB32 TOVL 1xM32G	1788450000	1
Standard housings, PG thread			
1 x Pg29 complete	HDC-HB-32-TSVL1/29P	1219300000	1
1 x Pg29 sleeve	HDC-HB-32-TSVL1/29	1667120000	1
1 x Pg29 complete	HDC-HB-32-TOVL1/29P	1219200000	1

Version	Type	Cat. No.	Qty.
Standard housings, metric thread			
2 x M 32 thread	HDC HB32 SVL 2xM32G	1788470000	1
Standard housings with cover, metric thread			
2 x M 32 thread	HDC HB32 SDVL 2xM32G	1788490000	1
Standard housings, PG thread			
1 x Pg29 complete	HDC-HB-32-SVL1/29P	1219600000	1
Standard housings with cover, PG thread			
1 x Pg29 complete	HDC-HB-32-SDVL1/29P	1219900000	1
2 x Pg29 complete	HDC-HB-32-SDVL2/29P	1220000000	1

Version	Type	Cat. No.	Qty.
Standard housings with cover, metric thread			
1 x M 32 thread	HDC HB32 KDVL 1xM32G	1788500000	1

TOVL = Plug hood; Top cable entry, end locking lower side
 TSVL = Plug hood; Side cable entry, end locking lower side

SVL = Base housing, end locking
 SDVL = Base housing with cover, end locking

KDVL = Coupling hood with cover, end locking

For accessories see section "Accessories"

Housings Group Size 10

Bulkhead housing HB-32

End locking

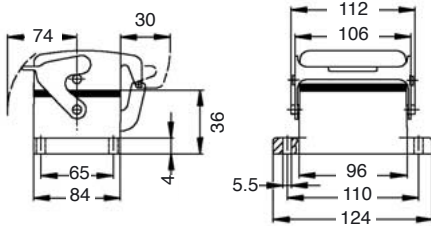


AVL



ADVL

Dimensions



Version	Type	Cat. No.	Qty.
Standard housings			
	HDC-HB-32-AVL	1219500000	1
Standard housings with cover			
	HDC-HB-32-ADVL	1219800000	1

AVL = Bulkhead housing, end locking
ADVL = Bulkhead housing with cover, end locking

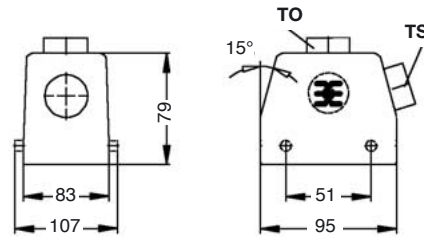
Plug hood HB-32

Side locking lower side



TSVU

Dimensions



Version	Type	Cat. No.	Qty.
Standard housings, metric thread			
1 x M 32 thread	HDC HB32 TSVU 1xM32G	1788400000	1
1 x M 32 thread	HDC HB32 TOVU 1xM32G	1788430000	1
Standard housings, PG thread			
1 x Pg29 complete	HDC-HB-32-TSVU1/29P	1217500000	1
1 x Pg29 sleeve	HDC-HB-32-TSVU1/29	1666840000	1
1 x Pg29 complete	HDC-HB-32-TOVU1/29P	1217300000	1
1 x Pg29 sleeve	HDC-HB-32-TOVU1/29	1666870000	1

TSVU = Plug hood; Side cable entry, side locking lower side
TOVU = Plug hood; Top cable entry, side locking lower side

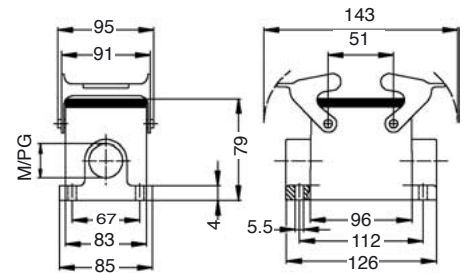
Base housing HB-32

Side locking / lower side



SVU

Dimensions



Version	Type	Cat. No.	Qty.
Standard housings, metric thread			
2 x M 32 thread	HDC HB32 SVU 2xM32G	1788460000	1
Standard housings.PG thread			
1 x Pg29 complete	HDC-HB-32-SVU1/29P	1217900000	1
1 x Pg29 sleeve	HDC-HB-32-SVU1/29	1666910000	1
2 x Pg29 complete	HDC-HB-32-SVU2/29P	1218000000	1
2 x Pg29 sleeve	HDC-HB-32-SVU2/29	1666920000	1

SVU = Base housing, side locking

For accessories see section "Accessories"

Housings Group Size 10

Coupling hood HB-32

Side locking

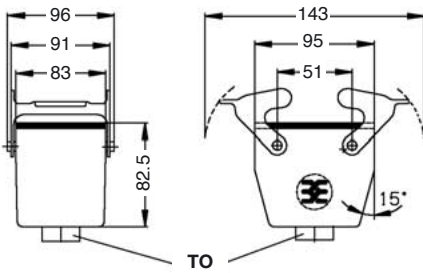


Bulkhead housing HB-32

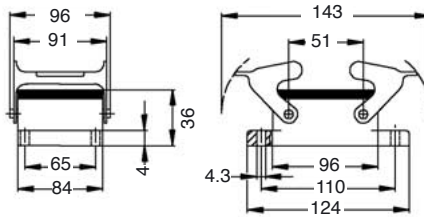
Side locking



Dimensions



Dimensions



Version	Type	Cat. No.	Qty.
Standard housings, PG thread			
1 x Pg29	complete	HDC-HB-32-KVU1/29P	1218100000 1

KVU = Coupling hood, side locking

Version	Type	Cat. No.	Qty.
Standard housings			
	HDC-HB-32-AVU	1217800000	1

AVU = Bulkhead housing, side locking

For accessories see section "Accessories"

Housings Group Size 10

Plug hood HB-32

Side locking

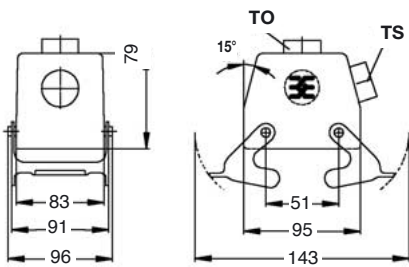


TOVO



TSVO

Dimensions



Version	Type	Cat. No.	Qty.
Standard housings, metric thread			
1 x M 32 thread	HDC HB32 TSVO 1xM32G	1788410000	1
1 x M 32 thread	HDC HB32 TOVO 1xM32G	1788440000	1
Standard housings, PG thread			
1 x Pg29 complete	HDC-HB-32-TSVO1/29P	1218500000	1
1 x Pg29 complete	HDC-HB-32-TOVO1/29P	1218300000	1

TOVO = Plug hood; Top cable entry, side locking
TSVO = Plug hood; Side cable entry side locking

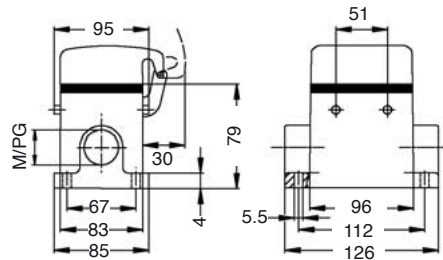
Base housing HB-32

Side locking upper side / with cover



SDVO

Dimensions



Version	Type	Cat. No.	Qty.
Standard housings with cover, metric thread			
2 x M 32 thread	HDC HB32 SDVO 2xM32G	1788480000	1
Standard housings with cover, PG thread			
1 x Pg29 complete	HDC-HB-32-SDVO1/29P	1218900000	1
2 x Pg29 complete	HDC-HB-32-SDVO2/29P	1219000000	1

SDVO = Base housing with cover, side locking upper side

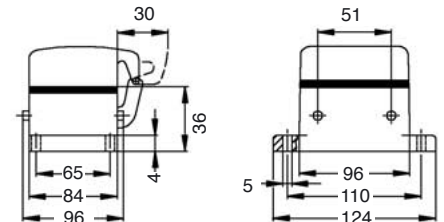
Bulkhead housing HB-32

Side locking upper side / with cover



ADVO

Dimensions



Version	Type	Cat. No.	Qty.
Standard housings with cover			
	HDC-HB-32-ADVO	1218800000	1

ADVO = Bulkhead housing with cover, side locking upper side

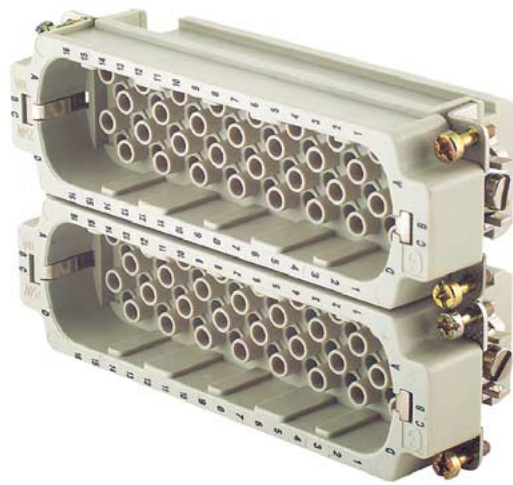
For accessories see section "Accessories"

Inserts Group Size 12

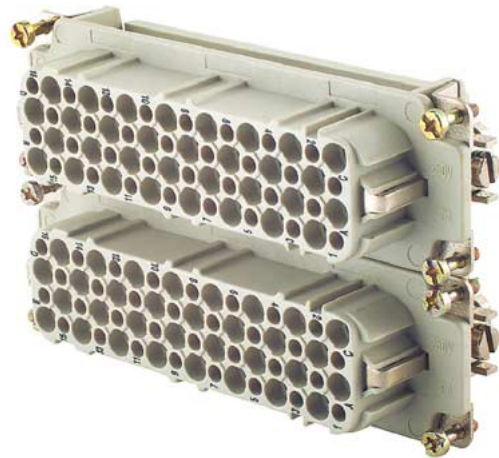
Crimp connection series HD-128

128-pole

250 V-/max 10 A

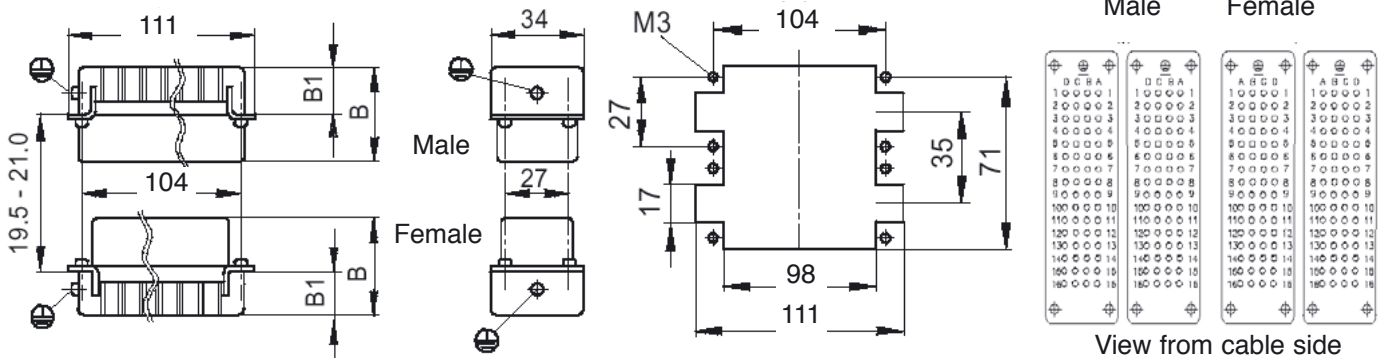


Male



Female

Dimensions



Version	Type	Cat. No.	Qty.
2 x HD-64			
For stamped contacts			
Male	2x HDC-HD-64SCG	1572580000	5
For turned contacts			
Male	2x HDC-HD-64SCM	1601720000	5

Please order two inserts per housing

For crimp contacts see page 62 and 63

For accessories see section "Accessories"

Version	Type	Cat. No.	Qty.
2 x HD-64			
For stamped contacts			
Female	2x HDC-HD-64BCG	1572590000	5
For turned contacts			
Female	2x HDC-HD-64BCM	1601740000	5

Please order two inserts per housing

For crimp contacts see page 62 and 63

Housings Group Size 12

Plug hood HB-48

End locking / lower side

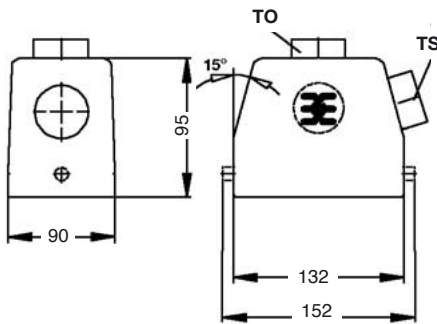


TOVL



TSVL

Dimensions



Version	Type	Cat. No.	Qty.
Standard housings, metric thread			
1 x M 32 thread	HDC HB48 TSVL M32G	1788320000	1
1 x M 40 thread	HDC HB48 TSVL M40G	1788310000	1
1 x M 50 thread	HDC HB48 TSVL M50G	1788300000	1
1 x M 32 thread	HDC HB48 TOVL M32G	1788350000	1
1 x M 40 thread	HDC HB48 TOVL M40G	1788340000	1
1 x M 50 thread	HDC HB48 TOVL M50G	1788330000	1
Standard housings, PG thread			
1 x Pg29 complete	HDC-HB-48-TSVL1/29P	1222600000	1
1 x Pg29 sleeve	HDC-HB-48-TSVL1/29	1650850000	1
1 x Pg36 complete	HDC-HB-48-TSVL1/36P	1222700000	1
1 x Pg36 sleeve	HDC-HB-48-TSVL1/36	1650860000	1
1 x Pg42 complete	HDC-HB-48-TSVL1/42P	1222800000	1
1 x Pg42 sleeve	HDC-HB-48-TSVL1/42	1670470000	1
1 x Pg29 complete	HDC-HB-48-TOVL1/29P	1222300000	1
1 x Pg29 sleeve	HDC-HB-48-TOVL1/29	1650980000	1
1 x Pg36 complete	HDC-HB-48-TOVL1/36P	1222400000	1
1 x Pg36 sleeve	HDC-HB-48-TOVL1/36	1651000000	1
1 x Pg42 complete	HDC-HB-48-TOVL1/42P	1222500000	1

TOVL = Plug hood; Top cable entry, end locking lower side

TSVL = Plug hood; Top cable entry, end locking lower side

Base housing HB-48

End locking / with/without cover

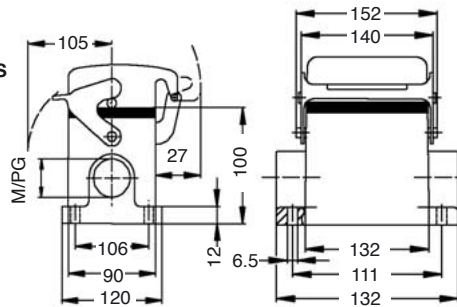


SVL



SDVL

Dimensions



Version	Type	Cat. No.	Qty.
Standard housings, metric thread			
2 x M 32 thread	HDC HB48 SVL 2xM32G	1788370000	1
2 x M 40 thread	HDC HB48 SVL 2xM40G	1788360000	1
Standard housings with cover, metric thread			
2 x M 32 thread	HDC HB48 SDVL 2xM32G	1788390000	2
2 x M 40 thread	HDC HB48 SDVL 2xM40G	1788380000	2
Standard housings, PG thread			
1 x Pg29 complete	HDC-HB-48-SVL1/29P	1223000000	1
1 x Pg29 sleeve	HDC-HB-48-SVL1/29	1651100000	1
1 x Pg36 complete	HDC-HB-48-SVL1/36P	1223200000	1
2 x Pg29 complete	HDC-HB-48-SVL2/29P	1223100000	1
Standard housings with cover, PG thread			
1 x Pg29 complete	HDC-HB-48-SDVL1/29P	1223400000	2
1 x Pg36 complete	HDC-HB-48-SDVL1/36P	1223600000	2
2 x Pg29 complete	HDC-HB-48-SDVL2/29P	1223500000	1
2 x Pg29 sleeve	HDC-HB-48-SDVL2/29	1667560000	1
2 x Pg36 complete	HDC-HB-48-SDVL2/36P	1223700000	1

SVL = Base housing, end locking

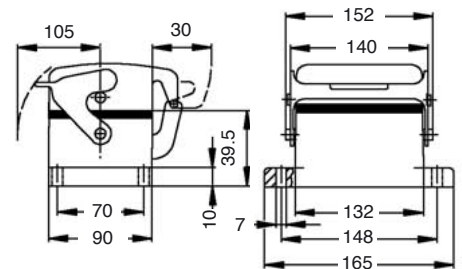
SDVL = Base housing with cover, end locking

Bulkhead housing HB-48

End locking / with/without cover



Dimensions

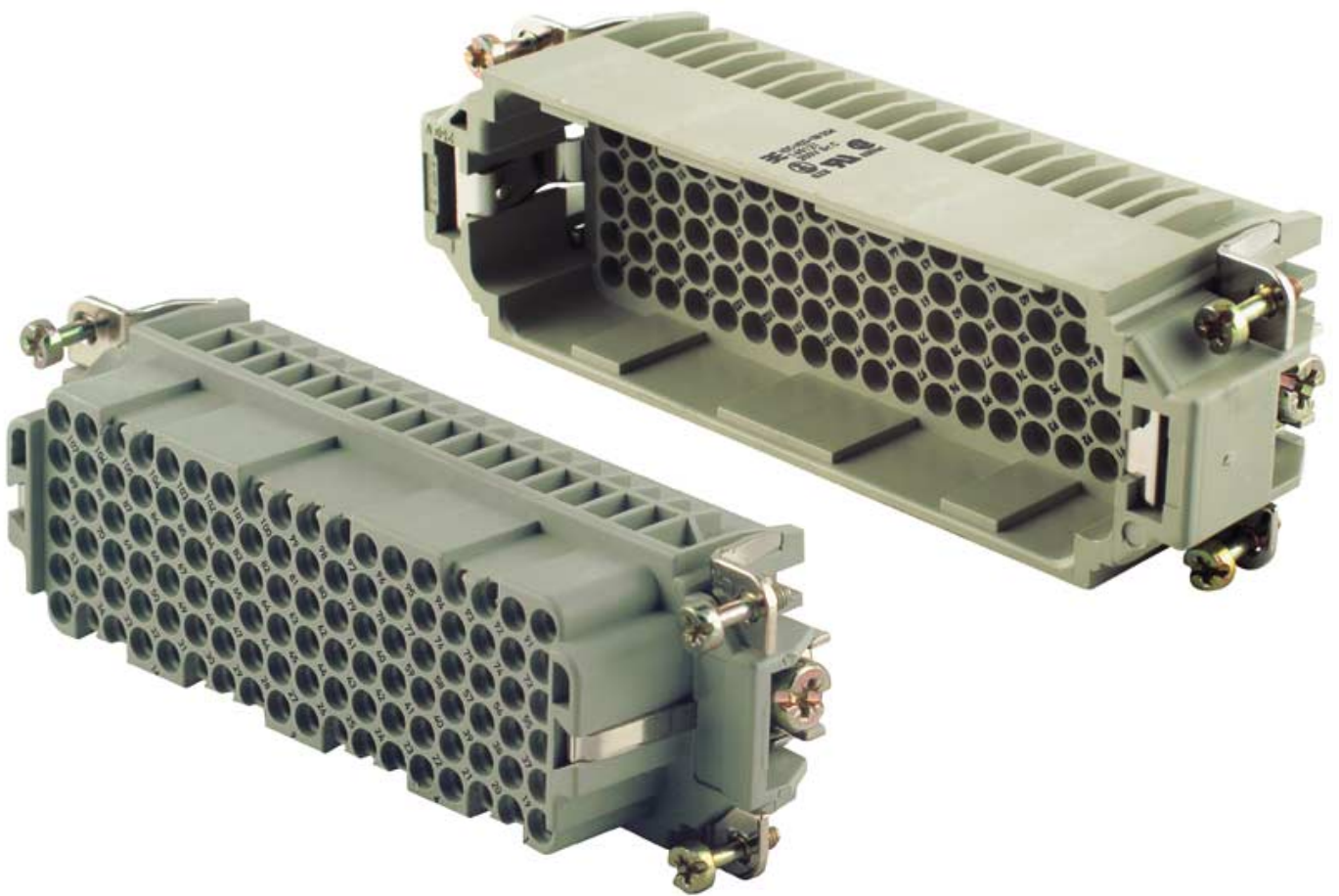


Version	Type	Cat. No.	Qty.
Standard housings with cover			
	HDC-HB-48-ADVL	1222900000	1

ADVL = Bulkhead housing, end locking

For accessories see section "Accessories"

Series HDD



Series HDD

HDD inserts 24 - 216-poles Crimp connection

- Turned crimp termination
- Pole numbers:
24, 42, 72, 108, 144, 216

Note:

144-pole connectors are composed of two 72-pole inserts with the numbers 1-72 and 73-144.

216-pole connectors are composed of two 108-pole inserts with the numbers 1-108 and 109-216.

Technical Data Series HDD

Technical data

Standards	Series HDD DIN VDE 0627 DIN VDE 0110
-----------	--

Approvals	
-----------	--

Inserts

No. of poles	24, 42, 72, 108, 44, 216 (+PE)
Rated current all types	10 A max.
Rated voltage (VDE 110/2.79)	250 V
Test voltage	2 kV
Insulation class	C
Contact resistance	10 ¹³ Ohmcm
Material	Thermoplastic glass fibre reinforced (UL listed)
Temperature range	-40° + 125° C
Flammability class acc. UL 94	V-0
Mechanical durability	
- insertion frequency Ag	≤ 100
- insertion frequency Au	≤ 500
Rated voltage	
- to UL / CSA	600 V
Connection method:	Crimp

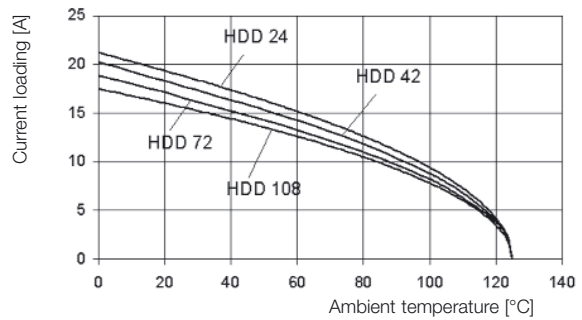
Contacts

Material	Copper alloy
Plating	
- silver plated	3 µm Ag
- gold plated	0.8 µm Au over 2 µm Ni
Through resistance	
- HDD - inserts	< 2 mOhm
Clamping range	
- mm ²	0.14 - 2.5
- AWG	26 ... 14
Insulation stripping length	8.0 mm

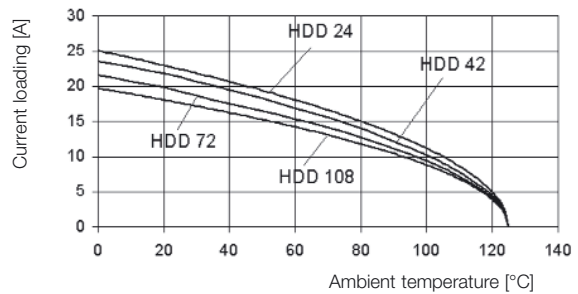
Hoods and housing

Material	Aluminium pressure die cast AL-Si 12
Plating	Powder coating grey
Locking	
- standard	Steel, zinc plated
Gasket	NBR
Temperature range	-40° + 125° C
Protection in accordance with DIN	
- when locked	IP 65

Derating curves

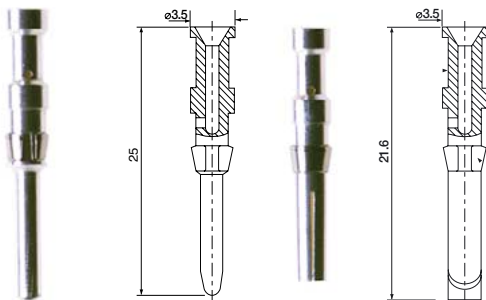


HDD 1.5 mm²



HDD 2.5 mm²

Turned crimp contacts for HD, HDD - and ConCept housing inserts



Male crimps

Cross-section mm ²	AWG	Plating	Type	Cat. No.	Qty.
0.14 - 0.37	26...22	Au	HDC-C-HD-SM0.14-0.37Au	1651620000	100
	26...22	Ag	HDC-C-HD-SM0.14-0.37Ag	1651520000	100
0.5	20	Au	HDC-C-HD-SM0.5Au	1651630000	100
	20	Ag	HDC-C-HD-SM0.5Ag	1651530000	100
0.75 - 1.00	18	Au	HDC-C-HD-SM0.75-1.00Au	1651640000	100
	18	Ag	HDC-C-HD-SM0.75-1.00Ag	1601750000	100
1.5	16	Au	HDC-C-HD-SM1.5Au	1651650000	100
	16	Ag	HDC-C-HD-SM1.5Ag	1651550000	100
2.5	14	Au	HDC-C-HD-SM2.5Au	1651660000	100
	14	Ag	HDC-C-HD-SM2.5Ag	1651560000	100

Female crimps

Cross-section mm ²	AWG	Plating	Type	Cat. No.	Qty.
0.14 - 0.37	26...22	Au	HDC-C-HD-BM0.14-0.37Au	1651670000	100
	26...22	Ag	HDC-C-HD-BM0.14-0.37Ag	1651570000	100
0.5	20	Au	HDC-C-HD-BM0.5Au	1651680000	100
	20	Ag	HDC-C-HD-BM0.5Ag	1651580000	100
0.75 - 1.00	18	Au	HDC-C-HD-BM0.75-1.00Au	1651690000	100
	18	Ag	HDC-C-HD-BM0.75-1.00Ag	1601760000	100
1.5	16	Au	HDC-C-HD-BM1.5Au	1651700000	100
	16	Ag	HDC-C-HD-BM1.5Ag	1651600000	100
2.5	14	Au	HDC-C-HD-BM2.5Au	1651710000	100
	14	Ag	HDC-C-HD-BM2.5Ag	1651610000	100

Inserts Group Size 3

Crimp connection series HDD-24

24-pole

250 V/max 10 A

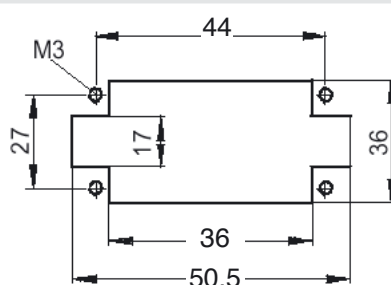
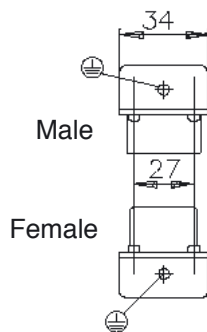
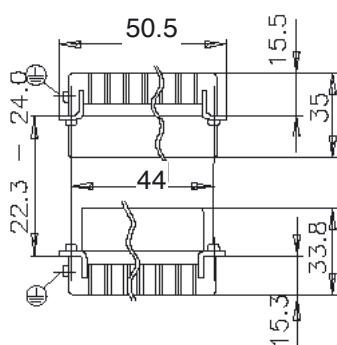


Male

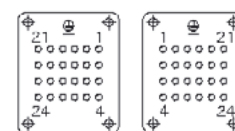


Female

Dimensions



Male Female



View from cable side

Version	Typ	Cat. No.	Qty.
For turned contacts			
Male	HDC-HDD-24SCM	1651150000	5

For crimp contacts see page 106

Version	Typ	Cat. No.	Qty.
For turned contacts			
Female	HDC-HDD-24BCM	1651160000	5

For crimp contacts see page 106

For accessories see section "Accessories"

Housings Group Size 3

Plug hood HB-6

End locking / lower side



TOVL

Plug hood HBD-16

End locking / lower side / high version



TOVL

Base housing HB-6

End locking, with/without cover

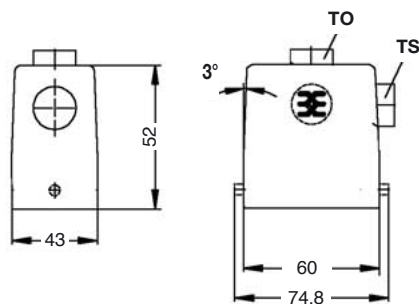


SVL

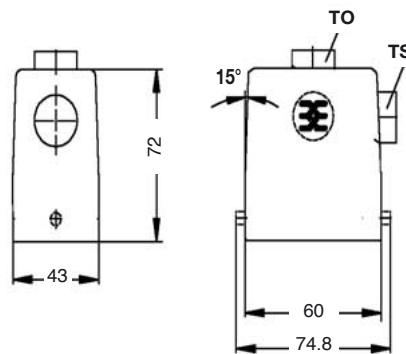


SDVL

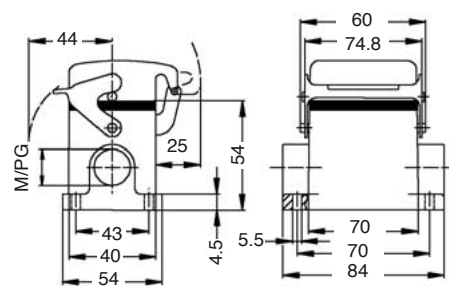
Dimensions



Dimensions



Dimensions



Version	Type	Cat. No.	Qty.
Standard housings, metric thread			
1 x M 20 thread	HDC HB6 TOVL 1xM20G	1788120000	5
1 x M 25 thread	HDC HB6 TOVL 1xM25G	1788110000	5
1 x M 20 thread	HDC HB6 TSVL 1xM20G	1805930000	5
1 x M 20 sleeve	HDC HB6 TSVL 1xM20	1788100000	5
1 x M 25 sleeve	HDC HB6 TSVL 1xM25	1788090000	5
Standard housings, PG thread			
1 x Pg13 complete	HDC-HB-6-TOVL1/13P	1201800000	5
1 x Pg13 sleeve	HDC-HB-6-TOVL1/13	1670500000	5
1 x Pg16 complete	HDC-HB-6-TOVL1/16P	1652630000	5
1 x Pg16 sleeve	HDC-HB-6-TOVL1/16	1652640000	5
1 x Pg13 complete	HDC-HB-6-TSVL1/13P	1201900000	5
1 x Pg13 sleeve	HDC-HB-6-TSVL1/13	1670530000	5
1 x Pg16 complete	HDC-HB-6-TSVL1/16P	1652510000	5
1 x Pg16 sleeve	HDC-HB-6-TSVL1/16	1652520000	5

Version	Type	Cat. No.	Qty.
Standard housings, metric thread			
1 x M 25 thread	HDC HBD16 TOVL 1xM25G	1787500000	5
1 x M 32 thread	HDC HBD16 TOVL 1xM32G	1787490000	5
1 x M 25 thread	HDC HBD16 TSVL 1xM25G	1787480000	5
1 x M 32 thread	HDC HBD16 TSVL 1xM32G	1787470000	5
Standard housings, PG thread			
1 x Pg21 complete	HDC-HBD-16-TOVL1/21P	1652670000	5
1 x Pg21 sleeve	HDC-HBD-16-TOVL1/21	1652680000	5
1 x Pg29 complete	HDC-HBD-16-TOVL1/29P	1652690000	5
1 x Pg29 sleeve	HDC-HBD-16-TOVL1/29	1652700000	5
1 x Pg21 complete	HDC-HBD-16-TSVL1/21P	1652550000	5
1 x Pg21 sleeve	HDC-HBD-16-TSVL1/21	1652560000	5
1 x Pg29 complete	HDC-HBD-16-TSVL1/29P	1652570000	5
1 x Pg29 sleeve	HDC-HBD-16-TSVL1/29	1652580000	5

Version	Type	Cat. No.	Qty.
Standard housings, metric thread			
2 x M 20 thread	HDC HB6 SVL 2xM20G	1788140000	5
2 x M 25 thread	HDC HB6 SVL 2xM25G	1788130000	5
Standard housings with cover, metric thread			
2 x M 20 thread	HDC HB6 SDVL 2xM20G	1788170000	2
2 x M 25 thread	HDC HB6 SDVL 2xM25G	1788160000	2
Standard housings, PG thread			
1 x Pg16 complete	HDC-HB-6-SVL1/16P	1202200000	5
1 x Pg16 sleeve	HDC-HB-6-SVL1/16	1652750000	5
2 x Pg16 complete	HDC-HB-6-SVL2/16P	1202300000	5
2 x Pg16 sleeve	HDC-HB-6-SVL2/16	1652760000	5
Standard housings with cover, PG thread			
1 x Pg16 complete	HDC-HB-6-SDVL1/16P	1202600000	2
1 x Pg16 sleeve	HDC-HB-6-SDVL1/16	1652980000	2
2 x Pg16 complete	HDC-HB-6-SDVL2/16P	1202700000	2
2 x Pg16 sleeve	HDC-HB-6-SDVL2/16	1652990000	2

TOVL = Plug hood; Top cable entry, end locking
TSVL = Plug hood; Side cable entry, end locking

TOVL = Plug hood; Top cable entry, end locking
TSVL = Plug hood; Side cable entry, end locking

SVL = Base housing, end locking
SDVL = Base housing with cover, end locking

For accessories see section "Accessories"

Housings Group Size 3

Base housing HBD-16

End locking, with/without cover, high version

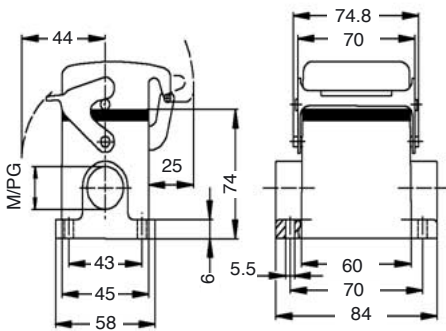


SVL



SDVL

Dimensions



Version	Type	Cat. No.	Qty.
Standard housings with cover, metric thread			
1 x M 25 thread	HDC HBD16 SVL 2xM25G	1787520000	5
1 x M 32 thread	HDC HBD16 SVL 2xM32G	1787510000	5
1 x M 25 thread	HDC HBD16 SDVL 2xM25G	1787540000	2
1 x M 32 thread	HDC HBD16 SDVL 2xM32G	1787530000	2
Standard housings with cover, PG thread			
1 x Pg21 complete	HDC-HBD-16-SVL1/21P	1652810000	5
1 x Pg21 sleeve	HDC-HBD-16-SVL1/21	1652820000	5
1 x Pg29 complete	HDC-HBD-16-SVL1/29P	1652850000	5
2 x Pg21 sleeve	HDC-HBD-16-SVL2/21	1652840000	5
1 x Pg21 complete	HDC-HBD-16-SDVL1/21P	1653040000	2

SVL = Base housing, end locking
SDVL = Base housing with cover, end locking

Coupling hood HB-6 / HBD-16

End locking

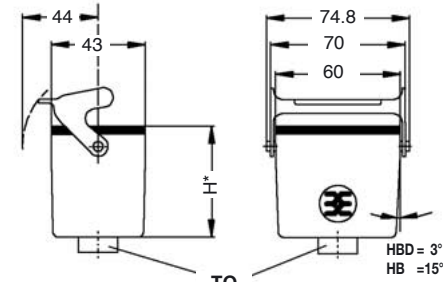


KVL



KVL

Dimensions



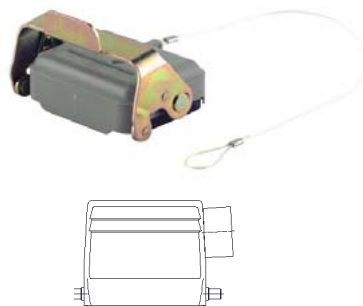
*HB = 54.8
HBD = 74.8

Version	Type	Cat. No.	Qty.
Standard housings, PG thread			
1 x Pg16 complete	HDC-HB-6-KVL1/16P	1202400000	5
1 x Pg16 sleeve	HDC-HB-6-KVL1/16	1653200000	5
1 x Pg21 complete	HDC-HBD-16-KVL1/21P	1653230000	5

KVL = Coupling hood, end locking

Cover for plug hood

Cover with cord



Type	Cat. No.	Qty.
Plastic cover		
HDC-HB-6-DT	1665210000	2

Bulkhead housing HB-6

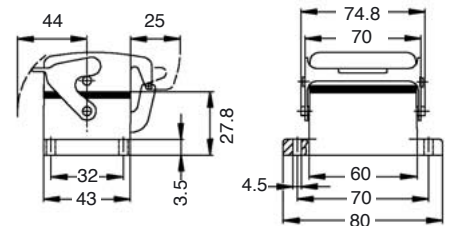
End locking, with/without cover



ADVL



Dimensions

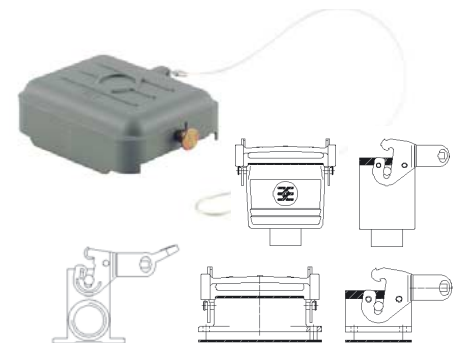


Version	Type	Cat. No.	Qty.
Standard housings			
	HDC-HB-6-AVL	1202100000	5
Standard housings with cover			
	HDC-HB-6-ADVL	1202500000	5

AVL = Bulkhead housing, end locking
ADVL = Bulkhead housing with cover, end locking

Cover for lower side with end locking

Cover with cord



Type	Cat. No.	Qty.
Plastic cover		
HDC-HB-6-DB	1665200000	5

For accessories see section "Accessories"

Inserts Group Size 4

Crimp connection series HDD-42

42-pole

250 V/max 10 A

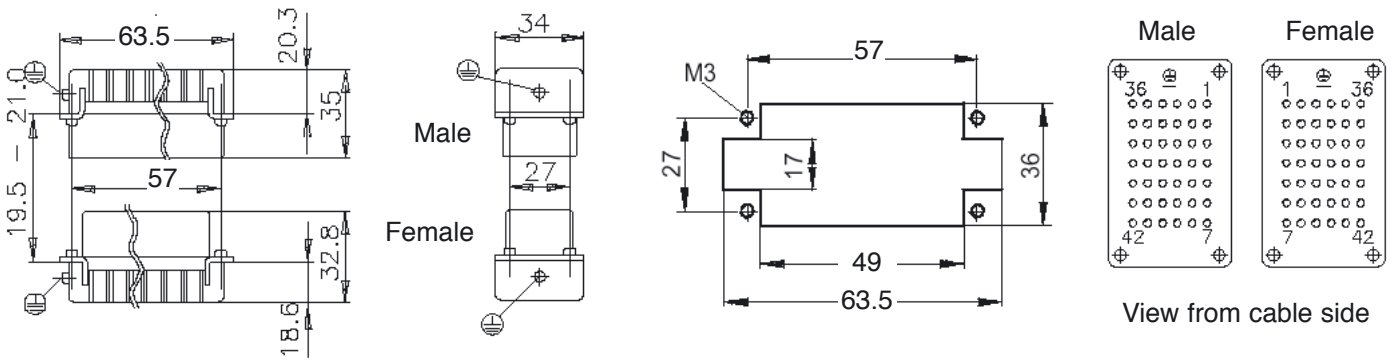


Male



Female

Dimensions



Version	Type	Cat. No.	Qty.
Male	HDC-HDD-42SCM	1651170000	5

Version	Type	Cat. No.	Qty.
Female	HDC-HDD-42BCM	1651180000	5

For crimp contacts see page 106

For crimp contacts see page 106

For accessories see section "Accessories"

Housings Group Size 4

Plug hood HB-10

Side locking lower side

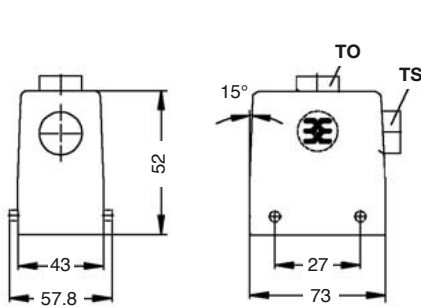


TOVU



TSVU

Dimensions



Version	Type	Cat. No.	Qty.
Standard housings, metric thread			
1 x M 20 sleeve	HDC HB10 TSVU 1xM20	1787560000	5
1 x M 25 sleeve	HDC HB10 TSVU 1xM25	1787550000	5
1 x M 20 thread	HDC HB10 TOVU 1xM20G	1787600000	5
1 x M 25 thread	HDC HB10 TOVU 1xM25G	1787590000	5
Standard housings, PG thread			
1 x Pg16 complete	HDC-HB-10-TSVU1/16P	1204800000	5
1 x Pg16 sleeve	HDC-HB-10-TSVU1/16	1654070000	5
1 x Pg21 complete	HDC-HB-10-TSVU1/21P	1654080000	5
1 x Pg21 sleeve	HDC-HB-10-TSVU1/21	1654090000	5
1 x Pg16 complete	HDC-HB-10-TOVU1/16P	1204700000	5
1 x Pg16 sleeve	HDC-HB-10-TOVU1/16	1654220000	5
1 x Pg21 complete	HDC-HB-10-TOVU1/21P	1654230000	5
1 x Pg21 sleeve	HDC-HB-10-TOVU1/21	1654240000	5

TSVU = Plug hood; Side cable entry, side locking lower side
 TOVU = Plug hood; Top cable entry, side locking lower side

Plug hood HBD-24

Side locking lower side / high version

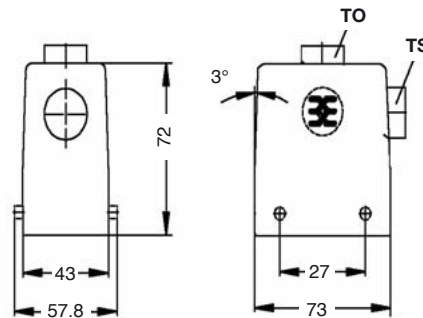


TOVU



TSVU

Dimensions



Version	Type	Cat. No.	Qty.
Standard housings, metric thread			
1 x M 25 thread	HDC HBD24 TSVU 1xM25G	1787240000	5
1 x M 32 thread	HDC HBD24 TSVU 1xM32G	1787230000	5
1 x M 25 thread	HDC HBD24 TOVU 1xM25G	1787300000	5
1 x M 32 thread	HDC HBD24 TOVU 1xM32G	1787290000	5
Standard housings, PG thread			
1 x Pg21 complete	HDC-HBD-24-TSVU1/21P	1654140000	5
1 x Pg21 sleeve	HDC-HBD-24-TSVU1/21	1654150000	5
1 x Pg29 complete	HDC-HBD-24-TSVU1/29P	1654160000	5
1 x Pg29 sleeve	HDC-HBD-24-TSVU1/29	1654170000	5
1 x Pg21 complete	HDC-HBD-24-TOVU1/21P	1654290000	5
1 x Pg29 complete	HDC-HBD-24-TOVU1/29P	1654310000	5

TSVU = Plug hood; Side cable entry, side locking lower side
 TOVU = Plug hood; Top cable entry, side locking lower side

Base housing HB-10 / HBD-24

Side locking

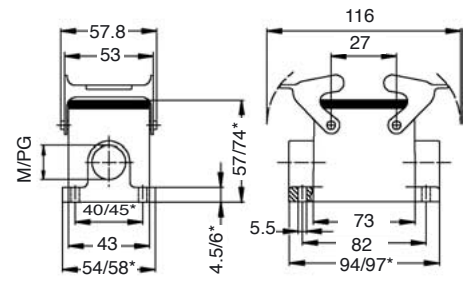


SVU



SVU

Dimensions



*HB/HBD

Version	Type	Cat. No.	Qty.
Standard housings, metric thread			
1 x M 20 thread	HDC HB10 SVU 2xM20G	1787640000	2
1 x M 25 thread	HDC HB10 SVU 2xM25G	1787630000	2
2 x M 25 thread	HDC HBD24 SVU 2xM25G	1787350000	2
2 x M 32 thread	HDC HBD24 SVU 2xM32G	1787360000	2
Standard housings, PG thread			
1 x Pg16 complete	HDC-HB-10-SVU1/16P	1205100000	2
1 x Pg16 sleeve	HDC-HB-10-SVU1/16	1654370000	2
2 x Pg16 complete	HDC-HB-10-SVU2/16P	1205200000	2
2 x Pg16 sleeve	HDC-HB-10-SVU2/16	1654380000	2
1 x Pg21 complete	HDC-HBD-24-SVU1/21P	1654420000	2
1 x Pg21 sleeve	HDC-HBD-24-SVU1/21	1654430000	2
1 x Pg29 sleeve	HDC-HBD-24-SVU1/29	1654470000	2
2 x Pg21 complete	HDC-HBD-24-SVU2/21P	1654440000	2
2 x Pg21 sleeve	HDC-HBD-24-SVU2/21	1654450000	2
2 x Pg29 complete	HDC-HBD-24-SVU2/29P	1654480000	2

SVU = Base housing, side locking

For accessories see section "Accessories"

Housings Group Size 4

Coupling hood HB-10 / HBD 24

Side locking

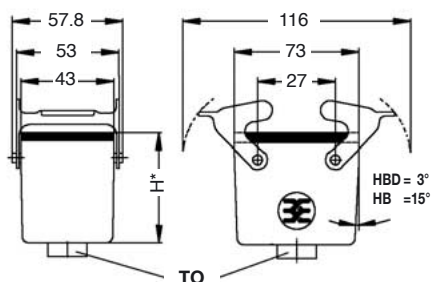


KVV



KVV

Dimensions



*HB = 54.8
HBD = 74.8

Version	Type	Cat. No.	Qty.
Standard housings, metric thread			
1 x M 20 thread	HDC HB10 KVV 1xM20G	1787720000	5
1 x M 25 thread	HDC HB10 KVV 1xM25G	1787710000	5
1 x M 25 thread	HDC HBD24 KVV 1xM25G	1787440000	2
1 x M 32 thread	HDC HBD24 KVV 1xM32G	1787430000	2
Standard housings, PG thread			
1 x Pg16 complete	HDC-HB-10-KVV1/16P	1205300000	5
1 x Pg16 sleeve	HDC-HB-10-KVV1/16	1654580000	5
1 x Pg21 complete	HDC-HB-10-KVV1/21P	1654590000	5
1 x Pg21 complete	HDC-HBD-24-KVV1/21P	1654650000	2
1 x Pg29 complete	HDC-HBD-24-KVV1/29P	1654670000	2

KVV = Coupling hood, side locking

Cover for plug hood

Cover with cord



Type	Cat. No.	Qty.
Plastic cover		
HDC-HB-10-DT	1665240000	2

For accessories see section "Accessories"

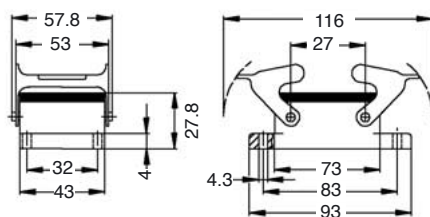
Bulkhead housing HB-10

Side locking



AVU

Dimensions

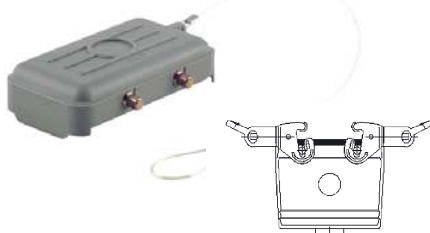


Version	Type	Cat. No.	Qty.
Standard housings			
	HDC-HB-10-AVU	1205000000	5

AVU = Bulkhead housing, side locking

Cover for lower side with side locking

Cover with cord



Type	Cat. No.	Qty.
Plastic cover		
HDC-HB-10-DB	1665230000	5

Plug hood HB-10 / HBD-24

Side locking

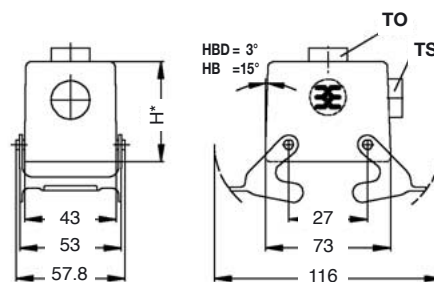


TSVO



TSVO

Dimensions



*HB = 52
HBD = 72

Version	Type	Cat. No.	Qty.
Standard housings, metric thread			
1 x M 25 sleeve	HDC HB10 TSVO 1xM25	1787570000	5
1 x M 25 thread	HDC HB10 TOVO 1xM25G	1787610000	5
1 x M 25 thread	HDC HBD24 TSVO 1xM25G	1787260000	2
1 x M 32 thread	HDC HBD24 TSVO 1xM32G	1787250000	2
1 x M 25 thread	HDC HBD24 TOVO 1xM25G	1787320000	2
1 x M 32 thread	HDC HBD24 TOVO 1xM32G	1787310000	2
Standard housings, PG thread			
1 x Pg16 complete	HDC-HB-10-TSVO1/16P	1205500000	5
1 x Pg16 sleeve	HDC-HB-10-TSVO1/16	1654750000	5
1 x Pg16 complete	HDC-HB-10-TOVO1/16P	1205400000	5
1 x Pg16 sleeve	HDC-HB-10-TOVO1/16	1654860000	5
1 x Pg21 sleeve	HDC-HBD-24-TSVO1/21	1654790000	2
1 x Pg29 complete	HDC-HBD-24-TSVO1/29P	1654800000	2
1 x Pg29 sleeve	HDC-HBD-24-TSVO1/29	1654810000	2
1 x Pg21 complete	HDC-HBD-24-TOVO1/21P	1654890000	2
1 x Pg29 complete	HDC-HBD-24-TOVO1/29P	1654910000	2
1 x Pg29 sleeve	HDC-HBD-24-TOVO1/29	1654920000	2

TSVO = Plug hood; Side cable entry, side locking
TOVO = Plug hood; Top cable entry, side locking

Housings Group Size 4

Base housing HB-10 / HBD-24

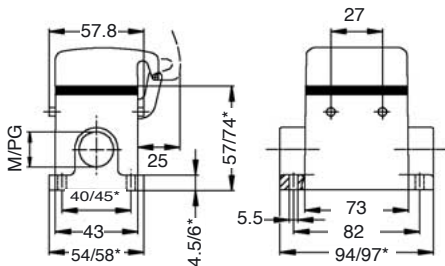
Side locking upper side



SDVO



Dimensions



*HB/HBD

Version	Type	Cat. No.	Qty.
Standard housings with cover, metric thread			
1 x M 20 thread	HDC HB10 SDVO 2xM20G	1787680000	2
1 x M 25 thread	HDC HB10 SDVO 2xM25G	1787670000	2
1 x M 25 thread	HDC HBD24 SDVO 2xM25G	1787400000	1
1 x M 32 thread	HDC HBD24 SDVO 2xM32G	1787390000	1
Standard housings with cover, PG thread			
1 x Pg16 complete	HDC-HB-10-SDVO1/16P	1205700000	2
1 x Pg16 sleeve	HDC-HB-10-SDVO1/16	1654990000	2
2 x Pg16 complete	HDC-HB-10-SDVO2/16P	1205800000	2
2 x Pg16 sleeve	HDC-HB-10-SDVO2/16	1655000000	2
1 x Pg21 complete	HDC-HBD-24-SDVO1/21P	1655050000	1
1 x Pg29 complete	HDC-HBD-24-SDVO1/29P	1655090000	1
2 x Pg29 complete	HDC-HBD-24-SDVO2/29P	1655110000	1

SDVO = Base housing with cover, side locking upper side

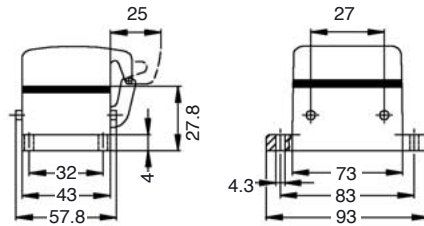
Bulkhead housing HB-10

With cover / side locking upper side



ADVO

Dimensions

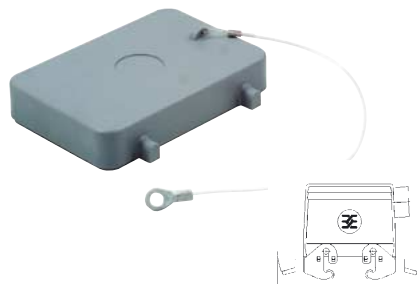


Version	Type	Cat. No.	Qty.
Standard housings with cover			
	HDC-HB-10-ADVO	1205600000	5

ADVO = Bulkhead housing with cover, side locking upper side

Cover for plug hood with side locking

Cover with cord



Type	Cat. No.	Qty.
Plastic cover		
HDC-HB-10-DBP	1665250000	5

Plug hood HB-10 / HBD-24

End locking / lower side

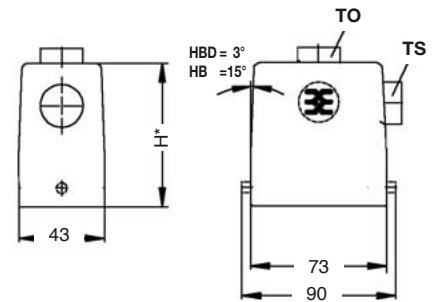


TOVL



TOVL

Dimensions



*HB = 52
HBD = 72

Version	Type	Cat. No.	Qty.
Standard housings, metric thread			
1 x M 25 sleeve	HDC HB10 TSVL 1xM25	1787580000	5
1 x M 25 thread	HDC HB10 TOVL 1xM25G	1787620000	5
1 x M 25 thread	HDC HBD24 TSVL 1xM25G	1787280000	2
1 x M 32 thread	HDC HBD24 TSVL 1xM32G	1787270000	2
1 x M 25 thread	HDC HBD24 TOVL 1xM25G	1787340000	2
1 x M 32 thread	HDC HBD24 TOVL 1xM32G	1787330000	2
Standard housings, PG thread			
1 x Pg16 complete	HDC-HB-10-TSVL1/16P	1206000000	5
1 x Pg16 sleeve	HDC-HB-10-TSVL1/16	1655210000	5
1 x Pg16 complete	HDC-HB-10-TOVL1/16P	1205900000	5
1 x Pg16 sleeve	HDC-HB-10-TOVL1/16	1655320000	5
1 x Pg21 complete	HDC-HBD-24-TSVL1/21P	1655240000	2
1 x Pg21 sleeve	HDC-HBD-24-TSVL1/21	1655250000	2
1 x Pg29 complete	HDC-HBD-24-TSVL1/29P	1655260000	2
1 x Pg29 sleeve	HDC-HBD-24-TSVL1/29	1655270000	2
1 x Pg21 complete	HDC-HBD-24-TOVL1/21P	1655350000	2
1 x Pg21 sleeve	HDC-HBD-24-TOVL1/21	1655360000	2
1 x Pg29 complete	HDC-HBD-24-TOVL1/29P	1655370000	2
1 x Pg29 sleeve	HDC-HBD-24-TOVL1/29	1655380000	2

TSVL = Plug hood; Side cable entry, end locking

TOVL = Plug hood; Top cable entry, end locking

For accessories see section "Accessories"

Housings Group Size 4

Base housing HB-10 / HBD-24

End locking, with/without cover



SVL



SDVL

Coupling hood HB-10 / HBD-24

End locking



KVL



KVL

Bulkhead housing HB-10

End locking, with/without cover

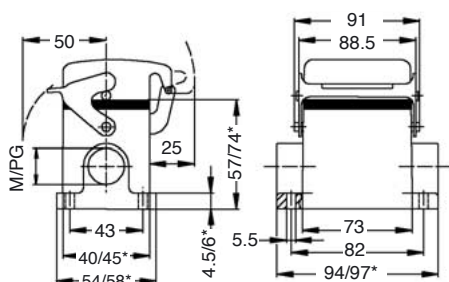


AVL



ADVL

Dimensions



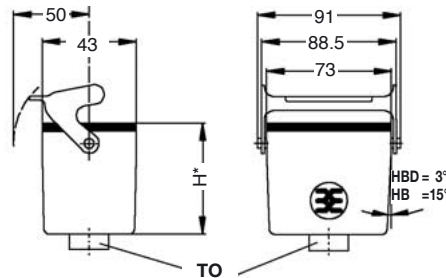
*HB/HBG

Version	Type	Cat. No.	Qty.
Standard housings, metric thread			
2 x M 20 thread	HDC HB10 SVL 2xM20G	1787660000	2
2 x M 25 thread	HDC HB10 SVL 2xM25G	1787650000	2
2 x M 25 thread	HDC HBD24 SVL 2xM25G	1787380000	2
2 x M 32 thread	HDC HBD24 SVL 2xM32G	1787370000	2
Standard housings with cover, metric thread			
2 x M 20 thread	HDC HB10 SDVL 2xM20G	1787700000	2
2 x M 25 thread	HDC HB10 SDVL 2xM25G	1787690000	2
1 x M 25 thread	HDC HBD24 SDVL 1xM25G	1787420000	1
1 x M 32 thread	HDC HBD24 SDVL 1xM32G	1787410000	1
Standard housings, PG thread			
1 x Pg16 complete	HDC-HB-10-SVL1/16P	1206200000	2
1 x Pg16 sleeve	HDC-HB-10-SVL1/16	1655460000	2
2 x Pg16 complete	HDC-HB-10-SVL2/16P	1206300000	2
2 x Pg16 sleeve	HDC-HB-10-SVL2/16	1655470000	2
1 x Pg21 complete	HDC-HBD-24-SVL1/21P	1655510000	2
1 x Pg29 complete	HDC-HBD-24-SVL1/29P	1655550000	2
Standard housings with cover, PG thread			
1 x Pg16 complete	HDC-HB-10-SDVL1/16P	1206600000	2
1 x Pg16 sleeve	HDC-HB-10-SDVL1/16	1655670000	2
2 x Pg16 complete	HDC-HB-10-SDVL2/16P	1206700000	1
2 x Pg16 sleeve	HDC-HB-10-SDVL2/16	1655680000	1
1 x Pg21 complete	HDC-HBD-24-SDVL1/21P	1655720000	1

SVL = Base housing, end locking

SDVL = Base housing with cover, end locking

Dimensions

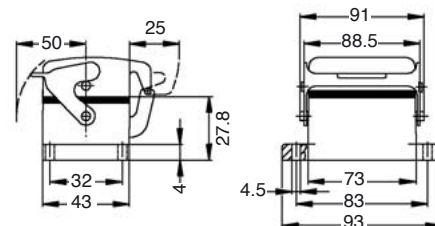


*HB = 54.8
HBD = 74.8

Version	Type	Cat. No.	Qty.
Standard housings, metric thread			
1 x M 20 thread	HDC HB10 KVL 1xM20G	1787740000	5
1 x M 25 thread	HDC HB10 KVL 1xM25G	1787730000	2
1 x M 25 thread	HDC HBD24 KVL 1xM25G	1787460000	2
1 x M 32 thread	HDC HBD24 KVL 1xM32G	1787450000	2
Standard housings, PG thread			
1 x Pg16 complete	HDC-HB-10-KVL1/16P	1655880000	5
1 x Pg16 sleeve	HDC-HB-10-KVL1/16	1655890000	5
1 x Pg21 complete	HDC-HB-10-KVL1/21P	1655900000	2

KVL = Coupling hood, end locking

Dimensions



Version	Type	Cat. No.	Qty.
Standard housings			
	HDC-HB-10-AVL	1206100000	5
Standard housings with cover			
	HDC-HB-10-ADVL	1206500000	2

AVL = Bulkhead housing, end locking

ADVL = Bulkhead housing with cover, end locking

For accessories see section "Accessories"

Inserts Group Size 6

Crimp connection series HDD-72

72-pole

250 V/max 10 A

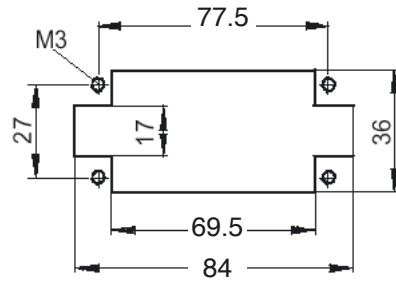
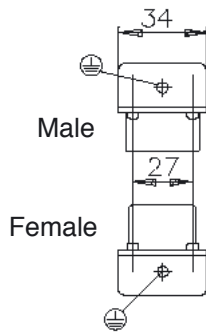
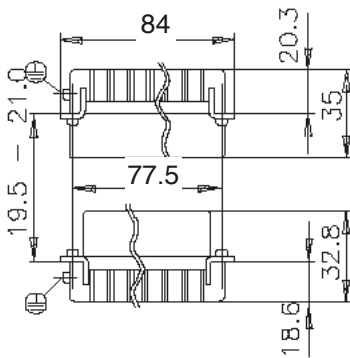


Male



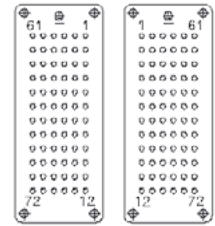
Female

Dimensions



Male

Female



View from cable side

Version	Type	Cat. No.	Qty.
For turned contacts			
Male	HDC-HDD-72SCM	1651190000	5

Version	Type	Cat. No.	Qty.
For turned contacts			
Male	HDC-HDD-72BCM	1651200000	5

For crimp contacts see page 106

For crimp contacts see page 106

For accessories see section "Accessories"

Housings Group Size 6

Plug hood HB-16 / HBD-40

Side locking lower side

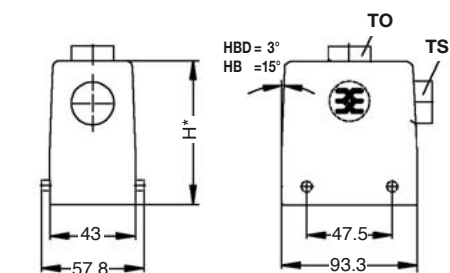


TSVU



TOVU

Dimensions



*HB = 61
HBD = 76

Version	Type	Cat. No.	Qty.
Standard housings, metric thread			
1 x M 25 sleeve	HDC HB16 TSVU 1xM25	1788180000	5
1 x M 25 thread	HDC HB16 TOVU 1xM25G	1788210000	5
1 x M 25 thread	HDC HBD40 TSVU 1xM25G	1787010000	5
1 x M 32 thread	HDC HBD40 TSVU 1xM32G	1787000000	5
1 x M 25 thread	HDC HBD40 TOVU 1xM25G	1787070000	5
1 x M 32 thread	HDC HBD40 TOVU 1xM32G	1787060000	5
Standard housings, PG thread			
1 x Pg21 complete	HDC-HB-16-TSVU1/21P	1208400000	5
1 x Pg21 sleeve	HDC-HB-16-TSVU1/21	1656480000	5
1 x Pg21 complete	HDC-HB-16-TOVU1/21P	1208300000	5
1 x Pg21 sleeve	HDC-HB-16-TOVU1/21	1656590000	5
1 x Pg21 complete	HDC-HBD-40-TSVU1/21P	1656510000	5
1 x Pg21 sleeve	HDC-HBD-40-TSVU1/21	1656520000	5
1 x Pg29 complete	HDC-HBD-40-TSVU1/29P	1656530000	5
1 x Pg29 sleeve	HDC-HBD-40-TSVU1/29	1656540000	5
1 x Pg21 complete	HDC-HBD-40-TOVU1/21P	1656620000	5
1 x Pg21 sleeve	HDC-HBD-40-TOVU1/21	1656630000	5
1 x Pg29 complete	HDC-HBD-40-TOVU1/29P	1656640000	5
1 x Pg29 sleeve	HDC-HBD-40-TOVU1/29	1656650000	5

TOVU = Plug hood; Top cable entry, side locking lower side

TSVU = Plug hood; Side cable entry, side locking lower side

For accessories see section "Accessories"

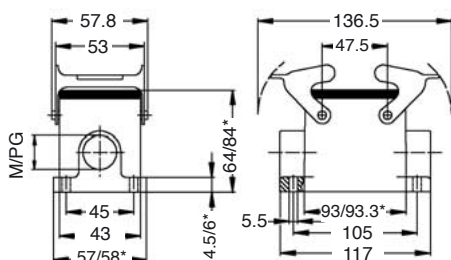
Base housing HB-16 / HBD-40

Side locking



SVU

Dimensions



*HB/HBD

Version	Type	Cat. No.	Qty.
Standard housings, metric thread			
1 x M 25 thread	HDC HB16 SVU 2xM25G	1788240000	2
2 x M 25 thread	HDC HBD40 SVU 2xM25G	1787120000	2
2 x M 32 thread	HDC HBD40 SVU 2xM32G	1787110000	2
Standard housings, PG thread			
1 x Pg21 complete	HDC-HB-16-SVU1/21P	1208700000	2
1 x Pg21 sleeve	HDC-HB-16-SVU1/21	1656720000	2
2 x Pg21 complete	HDC-HB-16-SVU2/21P	1208800000	2
2 x Pg21 sleeve	HDC-HB-16-SVU2/21	1656730000	2
1 x Pg21 sleeve	HDC-HBD-40-SVU1/21	1656790000	2
1 x Pg29 complete	HDC-HBD-40-SVU1/29P	1656820000	2
2 x Pg21 complete	HDC-HBD-40-SVU2/21P	1656800000	2
2 x Pg21 sleeve	HDC-HBD-40-SVU2/21	1656810000	2
2 x Pg29 complete	HDC-HBD-40-SVU2/29P	1656840000	2

SVU = Base housing, side locking lower side

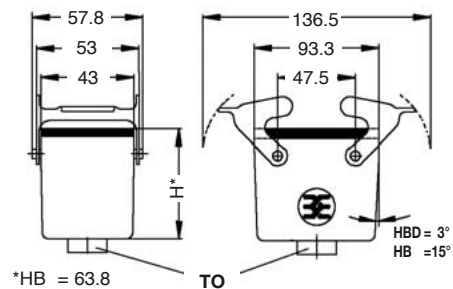
Coupling hood HB-16 / HBD-40

Side locking



KVVU

Dimensions



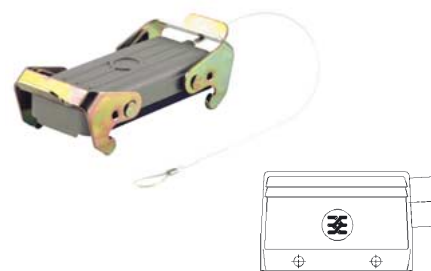
*HB = 63.8
HBD = 78.8

Version	Type	Cat. No.	Qty.
Standard housings, metric thread			
1 x M 25 thread	HDC HBD40 KVVU 1xM25G	1787200000	2
1 x M 32 thread	HDC HBD40 KVVU 1xM32G	1787190000	2
1 x M 25 thread	HDC HB16 KVVU 1xM25G	1788280000	2
Standard housings, PG thread			
1 x Pg21 complete	HDC-HB-16-KVVU1/21P	1208900000	2
1 x Pg21 sleeve	HDC-HB-16-KVVU1/21	1657270000	2
1 x Pg21 complete	HDC-HBD-40-KVVU1/21P	1657300000	2
1 x Pg21 sleeve	HDC-HBD-40-KVVU1/21	1657310000	2
1 x Pg29 complete	HDC-HBD-40-KVVU1/29P	1657320000	2

KVVU = Coupling hood, side locking

Cover for plug hood

Cover with cord



Type	Cat. No.	Qty.
Plastic cover		
HDC-HB-16-DT	1665270000	2

Housings Group Size 6

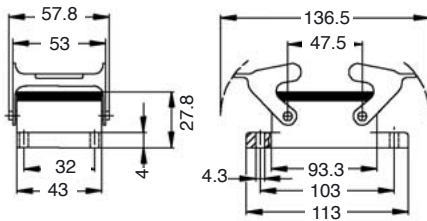
Bulkhead housing HB-16

Side locking



AVU

Dimensions

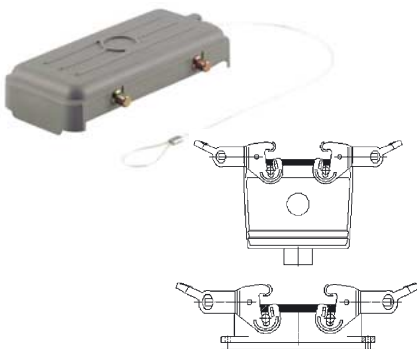


Version	Type	Cat. No.	Qty.
Standard housings			
	HDC-HB-16-AVU	120860000	5

AVU = Bulkhead housing, side locking

Cover for lower side with side locking

Cover with cord



Type	Cat. No.	Qty.
Plastic cover		
HDC-HB-16-DB	166526000	2

For accessories see section "Accessories"

Housings Group Size 6

Plug hood HB-16 / HBD-40

Side locking

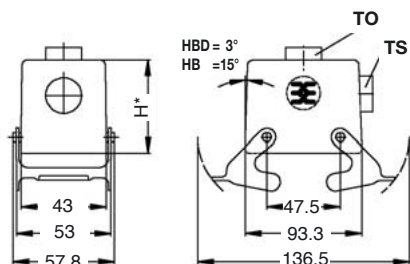


TSVO



TOVO

Dimensions



*HB = 61
HBD = 76

Version	Type	Cat. No.	Qty.
Standard housings, metric thread			
1 x M 25 sleeve	HDC HB16 TSVO 1xM25	1788190000	2
1 x M 25 thread	HDC HB16 TOVO 1xM25G	1788220000	2
1 x M 25 thread	HDC HBD40 TSVO 1xM25G	1787030000	2
1 x M 32 thread	HDC HBD40 TSVO 1xM32G	1787020000	2
1 x M 25 thread	HDC HBD40 TOVO 1xM25G	1787090000	2
1 x M 32 thread	HDC HBD40 TOVO 1xM32G	1787080000	2
Standard housings, PG thread			
1 x Pg21 complete	HDC-HB-16-TSVO1/21P	1209100000	2
1 x Pg21 sleeve	HDC-HB-16-TSVO1/21	1657380000	2
1 x Pg21 complete	HDC-HB-16-TOVO1/21P	1209000000	2
1 x Pg21 sleeve	HDC-HB-16-TOVO1/21	1657490000	2
1 x Pg21 complete	HDC-HBD-40-TSVO1/21P	1657410000	2
1 x Pg21 sleeve	HDC-HBD-40-TSVO1/21	1657420000	2
1 x Pg29 complete	HDC-HBD-40-TSVO1/29P	1657430000	2
1 x Pg21 complete	HDC-HBD-40-TOVO1/21P	1657520000	2
1 x Pg29 complete	HDC-HBD-40-TOVO1/29P	1657540000	2
1 x Pg29 sleeve	HDC-HBD-40-TOVO1/29	1657550000	2

TSVO = Plug hood; Side cable entry, side locking

TOVO = Plug hood; Top cable entry, side locking

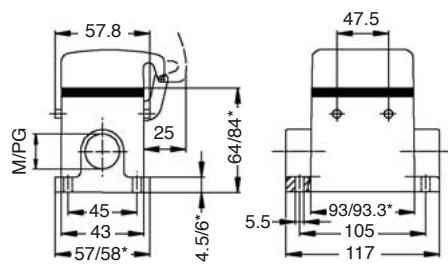
Base housing HB-16 / HBD-40

Side locking upper side



SDVO

Dimensions



Version	Type	Cat. No.	Qty.
Standard housings with cover, metric thread			
2 x M 25 thread	HDC HB16 SDVO 2xM25G	1788260000	2
2 x M 25 thread	HDC HBD40 SDVO 2xM25G	1787160000	2
2 x M 32 thread	HDC HBD40 SDVO 2xM32G	1787150000	2
Standard housings with cover, PG thread			
1 x Pg21 complete	HDC-HB-16-SDVO1/21P	1209300000	2
2 x Pg21 complete	HDC-HB-16-SDVO2/21P	1209400000	2
1 x Pg21 sleeve	HDC-HB-16-SDVO2/21	1657640000	2
1 x Pg21 complete	HDC-HBD-40-SDVO1/21P	1657690000	2
1 x Pg21 sleeve	HDC-HBD-40-SDVO1/21	1657700000	2
2 x Pg21 complete	HDC-HBD-40-SDVO2/21P	1657710000	2

SDVO = Base housing with cover, side locking upper side

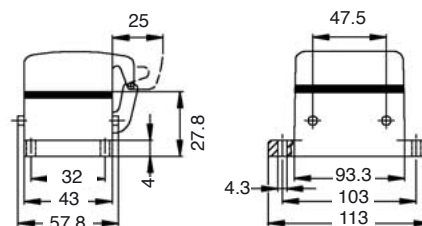
Bulkhead housing HB-16

Side locking upper side



ADVO

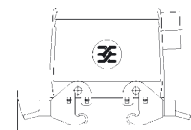
Dimensions



Version	Type	Cat. No.	Qty.
Standard housings			
	HDC-HB-16-ADVO	1209200000	2
ADVL = Bulkhead housing with cover, side locking			

Cover for plug hood with side locking

Cover with cord



Type	Cat. No.	Qty.
Plastic cover		
HDC-HB-16-DBP	1665620000	5

For accessories see section "Accessories"

Housings Group Size 6

Plug hood HB-16 / HBD-40

End locking / lower side / high version

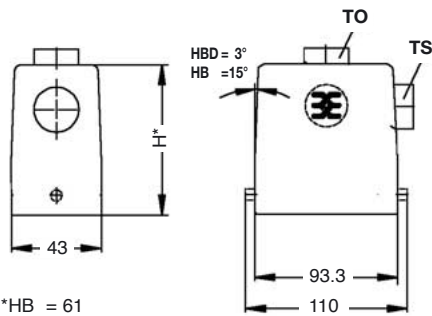


TOVL



TSVL

Dimensions



*HB = 61
HBD= 76

Version	Type	Cat. No.	Qty.
Standard housings, metric thread			
1 x M 25 sleeve	HDC HB16 TSVL 1xM25	1788200000	5
1 x M 25 thread	HDC HB16 TOVL 1xM25G	1788230000	5
1 x M 32 thread	HDC HB16 TSVL 1xM32G	1804640000	5
1 x M 32 thread	HDC HB16 TOVL 1xM32G	1804630000	5
1 x M 25 thread	HDC HBD40 TSVL 1xM25G	1787050000	5
1 x M 32 thread	HDC HBD40 TSVL 1xM32G	1787040000	5
1 x M 32 thread	HDC HBD40 TOVL 1xM32G	1787100000	5
Standard housings, PG thread			
1 x Pg21 complete	HDC-HB-16-TSVL1/21P	1209600000	5
1 x Pg21 sleeve	HDC-HB-16-TSVL1/21	1657850000	5
1 x Pg21 complete	HDC-HB-16-TOVL1/21P	1209500000	5
1 x Pg21 sleeve	HDC-HB-16-TOVL1/21	1657960000	5
1 x Pg21 complete	HDC-HBD-40-TSVL1/21P	1657880000	5
1 x Pg21 sleeve	HDC-HBD-40-TSVL1/21	1657890000	5
1 x Pg29 complete	HDC-HBD-40-TSVL1/29P	1657900000	5
1 x Pg29 sleeve	HDC-HBD-40-TSVL1/29	1657910000	5
1 x Pg21 complete	HDC-HBD-40-TOVL1/21P	1657990000	5
1 x Pg21 sleeve	HDC-HBD-40-TOVL1/21	1658000000	5
1 x Pg29 complete	HDC-HBD-40-TOVL1/29P	1658010000	5
1 x Pg29 sleeve	HDC-HBD-40-TOVL1/29	1658020000	5

TSVL = Plug hood; Side cable entry, end locking lower side

TOVL = Plug hood; Top cable entry, end locking lower side

Base housing HB-16 / HBD-40

End locking with/without cover

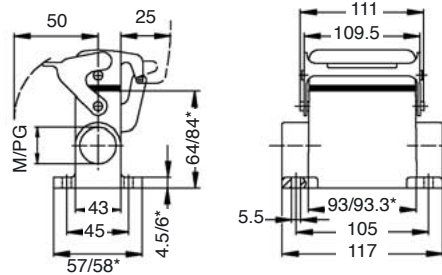


SVL



SDVL

Dimensions



*HB/HBD

Version	Type	Cat. No.	Qty.
Standard housings, metric thread			
2 x M 25 thread	HDC HB16 SVL 2xM25G	1788250000	2
2 x M 25 thread	HDC HBD40 SVL 2xM25G	1787140000	2
2 x M 32 thread	HDC HBD40 SVL 1xM32G	1804660000	2
2 x M 32 thread	HDC HBD40 SVL 2xM32G	1787130000	2
2 x M 25 thread	HDC HB16 SDVL 2xM25G	1788270000	2
2 x M 25 thread	HDC HBD40 SDVL 2xM25G	1787180000	2
2 x M 32 thread	HDC HBD40 SDVL 2xM32G	1787170000	2
Standard housings, PG thread			
1 x Pg21 complete	HDC-HB-16-SVL1/21P	1209800000	2
1 x Pg21 sleeve	HDC-HB-16-SVL1/21	1658110000	2
2 x Pg21 complete	HDC-HB-16-SVL2/21P	1209900000	2
2 x Pg21 sleeve	HDC-HB-16-SVL2/21	1658120000	2
1 x Pg21 complete	HDC-HB-16-SDVL1/21P	1210200000	2
1 x Pg21 sleeve	HDC-HB-16-SDVL1/21	1658320000	2
2 x Pg21 complete	HDC-HB-16-SDVL2/21P	1210300000	2
2 x Pg21 sleeve	HDC-HB-16-SDVL2/21	1658330000	2
1 x Pg21 complete	HDC-HBD-40-SDVL1/21P	1658370000	2
1 x Pg29 complete	HDC-HBD-40-SDVL1/29P	1658410000	2
2 x Pg29 complete	HDC-HBD-40-SDVL2/29P	1658430000	2

SVL = Base housing, end locking

SDVL = Base housing with cover, end locking

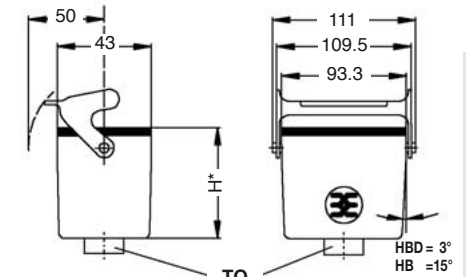
Coupling hood HB-16 / HBD-40

End locking



KVL

Dimensions



*HB = 63.5
HBD= 78.5

Version	Type	Cat. No.	Qty.
Standard housings, metric thread			
1 x M 25 thread	HDC HB16 KVL 1xM25G	1788290000	2
1 x M 25 thread	HDC HBD40 KVL 1xM25G	1787220000	2
1 x M 32 thread	HDC HBD40 KVL 1xM32G	1787210000	2
Standard housings, PG thread			
1 x Pg21 complete	HDC-HB-16-KVL1/21P	1210000000	2
1 x Pg29 complete	HDC-HBD-40-KVL1/29P	1658580000	2

KVL = Coupling hood, end locking

For accessories see section "Accessories"

Housings Group Size 6

Bulkhead housing HB-16

End locking

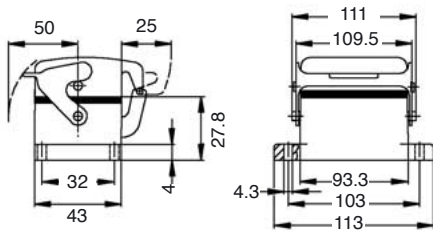


AVL



ADVL

Dimensions



Version	Type	Cat. No.	Qty.
Standard housings			
	HDC-HB-16-AVL	1209700000	5
Standard housings with cover			
	HDC-HB-16-ADVL	1210100000	2

AVL = Bulkhead housing, end locking

ADVL = Bulkhead housing with cover, end locking

For accessories see section "Accessories"

Housings Group Size 6

Plug hood HBD-40

Centre locking



TSVZ

Base housing HB-16 / HBD-40

Centre locking upper side



SVZ

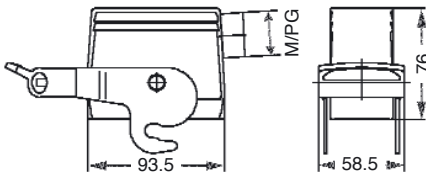
Bulkhead housing HB-16

Centre locking upper side

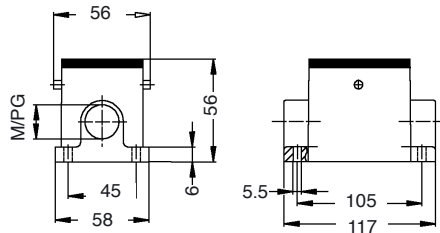


AVZ

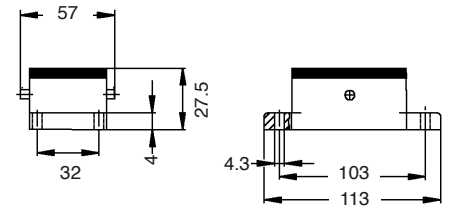
Dimensions



Dimensions



Dimensions



Version	Type	Cat. No.	Qty.
---------	------	----------	------

Standard housings, PG thread

1 x Pg21	complete HDC-HBD-40-TSVZ1/21P	1658680000	2
----------	-------------------------------	------------	---

Version	Type	Cat. No.	Qty.
---------	------	----------	------

Standard housings, PG thread

1 x Pg21	complete HDC-HB-16-SVZ1/21P	1600610000	2
1 x Pg21	sleeve HDC-HB-16-SVZ1/21	1658860000	2
2 x Pg21	complete HDC-HB-16-SVZ2/21P	1658870000	2

Version	Type	Cat. No.	Qty.
---------	------	----------	------

Standard housings

	HDC-HB-16-AVZ	1611360000	2
--	---------------	------------	---

TSVZ = Plug hood; Side cable entry, centre locking

SVZ = Base housing, centre locking

AVZ = Bulkhead housing, centre locking

Inserts Group Size 8

Crimp connection series HDD-108

108-pole

250 V/max 10 A

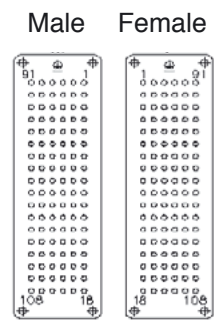
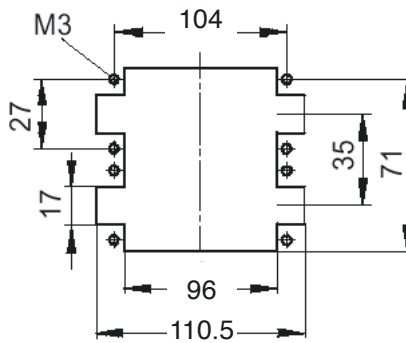
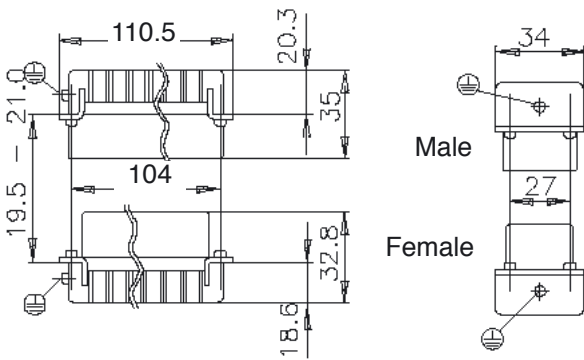


Male



Female

Dimensions



View from cable side

Version	Type	Cat. No.	Qty.
For turned contacts			
Male	HDC-HDD-108SCM	1651210000	5

Version	Type	Cat. No.	Qty.
For turned contacts			
Female	HDC-HDD-108BCM	1651220000	5

For crimp contacts see page 106

For crimp contacts see page 106

For accessories see section "Accessories"

Housings Group Size 8

Plug hood HB-24

Side locking / lower side

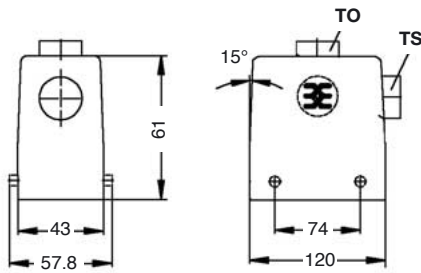


TOVU



TSVU

Dimensions



Version	Type	Cat. No.	Qty.
Standard housings, metric thread			
1 x M 25 thread	HDC HB24 TOVU 1xM25G	1787820000	2
1 x M 32 sleeve	HDC HB24 TSVU 1xM32	1787750000	2
1 x M 25 sleeve	HDC HB24 TSVU 1xM25	1787760000	2
1 x M 32 thread	HDC HB24 TOVU 1xM32G	1787810000	2
Standard housings, PG thread			
1 x Pg21 complete	HDC-HB-24-TSVU1/21P	1212100000	2
1 x Pg21 sleeve	HDC-HB-24-TSVU1/21	1661230000	2
1 x Pg29 complete	HDC-HB-24-TSVU1/29P	1212200000	2
1 x Pg29 sleeve	HDC-HB-24-TSVU1/29	1661240000	2
1 x Pg21 complete	HDC-HB-24-TOVU1/21P	1211900000	2
1 x Pg21 sleeve	HDC-HB-24-TOVU1/21	1661370000	2
1 x Pg29 complete	HDC-HB-24-TOVU1/29P	1212000000	2
1 x Pg29 sleeve	HDC-HB-24-TOVU1/29	1661380000	2

TOVU = Plug hood; Top cable entry, side locking lower side
TSVU = Plug hood; Side cable entry, side locking lower side

Plug hood HBD-64

Side locking lower side / high version

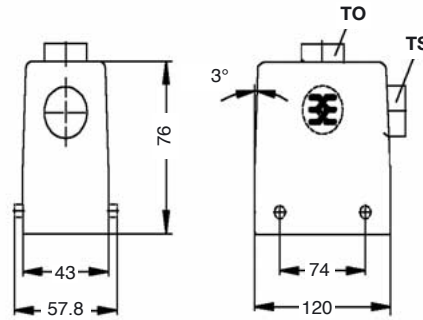


TOVU



TSVU

Dimensions



Version	Type	Cat. No.	Qty.
Standard housings, metric thread			
1 x M 25 thread	HDC HBD64 TSVU 1xM25G	1786780000	2
1 x M 32 thread	HDC HBD64 TSVU 1xM32G	1786770000	2
1 x M 25 thread	HDC HBD64 TOVU 1xM25G	1786840000	2
1 x M 32 thread	HDC HBD64 TOVU 1xM32G	1786830000	2
Standard housings, PG thread			
1 x Pg21 complete	HDC-HBD-64-TSVU1/21P	1661290000	2
1 x Pg21 sleeve	HDC-HBD-64-TSVU1/21	1661300000	2
1 x Pg29 complete	HDC-HBD-64-TSVU1/29P	1661310000	2
1 x Pg29 sleeve	HDC-HBD-64-TSVU1/29	1661320000	2
1 x Pg21 complete	HDC-HBD-64-TOVU1/21P	1661430000	2
1 x Pg21 sleeve	HDC-HBD-64-TOVU1/21	1661440000	2
1 x Pg29 complete	HDC-HBD-64-TOVU1/29P	1661450000	2
1 x Pg29 sleeve	HDC-HBD-64-TOVU1/29	1661460000	2

TOVU = Plug hood; Top cable entry, side locking lower side
TSVU = Plug hood; Side cable entry, side locking lower side

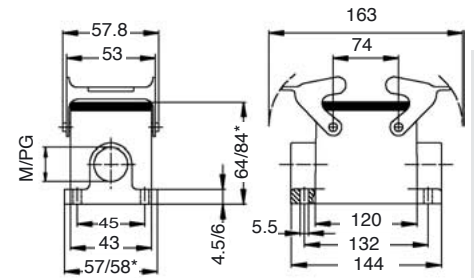
Base housing HB-24 / HBD-64

Side locking



SVU

Dimensions



*HB/HBD

Version	Type	Cat. No.	Qty.
Standard housings, metric thread			
2 x M 25 thread	HDC HB24 SVU 2xM25G	1787870000	2
2 x M 25 thread	HDC HBD64 SVU 2xM25G	1786890000	2
2 x M 32 thread	HDC HBD64 SVU 2xM32G	1786880000	2
Standard housings, PG thread			
1 x Pg21 complete	HDC-HB-24-SVU1/21P	1212500000	2
1 x Pg21 sleeve	HDC-HB-24-SVU1/21	1661510000	2
2 x Pg21 complete	HDC-HB-24-SVU2/21P	1212600000	2
2 x Pg21 sleeve	HDC-HB-24-SVU2/21	1661520000	2
1 x Pg21 complete	HDC-HBD-64-SVU1/21P	1661560000	2
1 x Pg21 sleeve	HDC-HBD-64-SVU1/21	1661570000	2
1 x Pg29 complete	HDC-HBD-64-SVU1/29P	1661600000	2
1 x Pg29 sleeve	HDC-HBD-64-SVU1/29	1661610000	2
2 x Pg21 complete	HDC-HBD-64-SVU2/21P	1661580000	2
2 x Pg21 sleeve	HDC-HBD-64-SVU2/21	1661590000	2
2 x Pg29 complete	HDC-HBD-64-SVU2/29P	1661620000	2
2 x Pg29 sleeve	HDC-HBD-64-SVU2/29	1661630000	2

SVU = Base housing, side locking

For accessories see section "Accessories"

Housings Group Size 8

Coupling hood HB-24 / HBD-64

Side locking

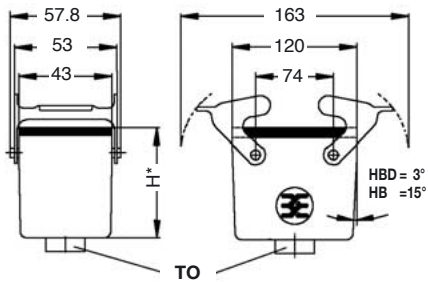


KVV



KVD

Dimensions



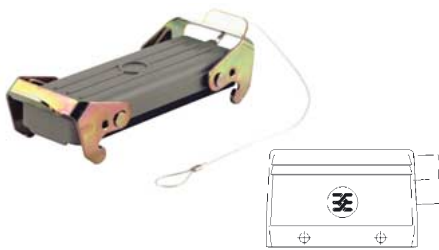
*HB = 63.8
HBD = 78.8

Version	Type	Cat. No.	Qty.
Standard housings, metric thread			
1 x M 25 thread	HDC HB24 KVV 1xM25G	1787920000	2
1 x M 32 thread	HDC HB24 KVV 1xM32G	1787910000	2
1 x M 25 thread	HDC HBD64 KVV 1xM25G	1786970000	2
1 x M 32 thread	HDC HBD64 KVV 1xM32G	1786960000	2
Standard housings, PG thread			
1 x Pg21 complete	HDC-HB-24-KVV1/21P	1212700000	2
1 x Pg21 sleeve	HDC-HB-24-KVV1/21	1661720000	2
1 x Pg29 complete	HDC-HB-24-KVV1/29P	1212800000	2
1 x Pg29 sleeve	HDC-HB-24-KVV1/29	1661730000	2
1 x Pg21 complete	HDC-HBD-64-KVV1/21P	1661780000	2
1 x Pg29 complete	HDC-HBD-64-KVV1/29P	1661800000	2

KVV = Coupling hood, side locking

Cover for plug hood

Cover with cord



Type	Cat. No.	Qty.
Plastic cover		
HDC-HB-24-DT	1665640000	2

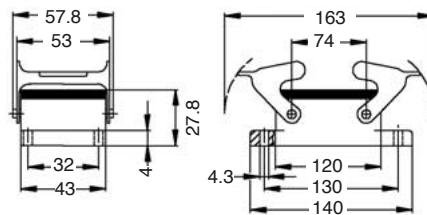
Bulkhead housing HB-24

Side locking



AVU

Dimensions

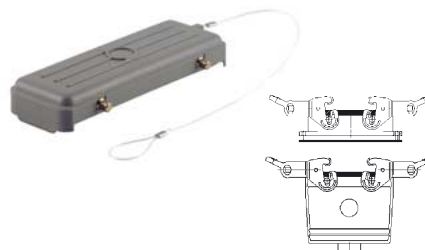


Version	Type	Cat. No.	Qty.
Standard housings			
	HDC-HB-24-AVU	1212400000	2

AVU = Bulkhead housing, side locking

Cover for lower side with side locking

Cover with cord



Type	Cat. No.	Qty.
Plastic cover		
HDC-HB-24-DB	1665630000	2

For accessories see section "Accessories"

Housings Group Size 8

Plug hood HB-24 / HBD-64

Side locking upper side

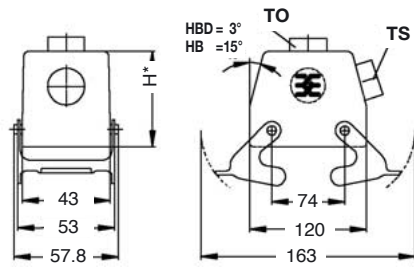


TOVO



TSVO

Dimensions



*HB = 61
HBD = 76

Version	Type	Cat. No.	Qty.
Standard housings, metric thread			
1 x M 25 sleeve	HDC HB24 TSVO 1xM25	1787780000	2
1 x M 32 sleeve	HDC HB24 TSVO 1xM32	1787770000	2
1 x M 25 thread	HDC HB24 TOVO 1xM25G	1787840000	2
1 x M 32 thread	HDC HB24 TOVO 1xM32G	1787830000	2
1 x M 25 thread	HDC HBD64 TOVO 1xM25G	1786850000	2
1 x M 32 thread	HDC HBD64 TOVO 1xM32G	1804670000	2
1 x M 25 thread	HDC HBD64 TSVO 1xM25G	1786800000	2
1 x M 32 thread	HDC HBD64 TSVO 1xM32G	1786790000	2
Standard housings, PG thread			
1 x Pg21 complete	HDC-HB-24-TSVO1/21P	1213100000	2
1 x Pg21 sleeve	HDC-HB-24-TSVO1/21	1661860000	2
1 x Pg29 complete	HDC-HB-24-TSVO1/29P	1661870000	2
1 x Pg29 sleeve	HDC-HB-24-TSVO1/29	1661880000	2
1 x Pg21 complete	HDC-HB-24-TOVO1/21P	1212900000	2
1 x Pg21 sleeve	HDC-HB-24-TOVO1/21	1662010000	2
1 x Pg29 complete	HDC-HB-24-TOVO1/29P	1213000000	2
1 x Pg29 sleeve	HDC-HB-24-TOVO1/29	1662020000	2
1 x Pg21 complete	HDC-HBD-64-TOVO1/21P	1662070000	2
1 x Pg21 sleeve	HDC-HBD-64-TOVO1/21	1662080000	2
1 x Pg29 complete	HDC-HBD-64-TOVO1/29P	1662090000	2
1 x Pg29 sleeve	HDC-HBD-64-TOVO1/29	1662100000	2
1 x Pg21 complete	HDC-HBD-64-TSVO1/21P	1661930000	2
1 x Pg21 sleeve	HDC-HBD-64-TSVO1/21	1661940000	2
1 x Pg29 complete	HDC-HBD-64-TSVO1/29P	1661950000	2
1 x Pg29 sleeve	HDC-HBD-64-TSVO1/29	1661960000	2

TOVO = Plug hood; Top cable entry, side locking
TSVO = Plug hood; Side cable entry, side locking

Base housing HB-24 / HBD-64

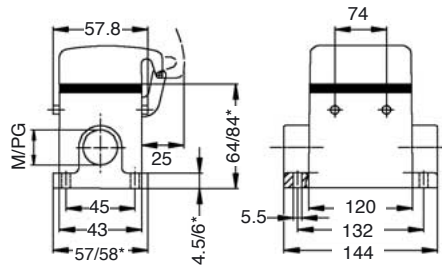
Side locking upper side

Group size 8



SDVO

Dimensions



*HB/HBD

Version	Type	Cat. No.	Qty.
Standard housings with cover, metric thread			
2 x M 25 thread	HDC HB24 SDVO 2xM25G	1787890000	2
2 x M 25 thread	HDC HBD64 SDVO 2xM25G	1786930000	2
2 x M 32 thread	HDC HBD64 SDVO 2xM32G	1786920000	2
Standard housings with cover, metric thread			
1 x Pg21 complete	HDC-HB-24-SDVO1/21P	1213400000	2
1 x Pg21 sleeve	HDC-HB-24-SDVO1/21	1662170000	2
2 x Pg21 complete	HDC-HB-24-SDVO2/21P	1213500000	2
2 x Pg21 sleeve	HDC-HB-24-SDVO2/21	1662180000	2
1 x Pg29 complete	HDC-HBD-64-SDVO1/29P	1662270000	2
1 x Pg29 sleeve	HDC-HBD-64-SDVO1/29	1662280000	2
2 x Pg21 complete	HDC-HBD-64-SDVO2/21P	1662250000	2

SDVO = Base housing with cover, side locking upper side

Bulkhead housing HB-24

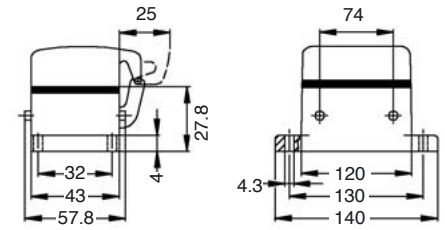
Side locking upper side

Group size



ADVO

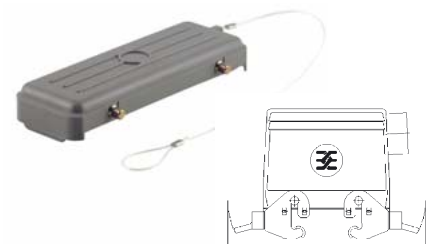
Dimensions



Version	Type	Cat. No.	Qty.
Standard housings with cover			
	HDC-HB-24-ADVO	1213300000	2
ADVO = Bulkhead housing with cover, side locking upper side			

Cover for plug hood with side locking

Cover with cord



Type	Cat. No.	Qty.
Plastic cover		
HDC-HB-24-DBP	1665650000	2

For accessories see section "Accessories"

Housings Group Size 8

Plug hood HB-24

End locking / lower side

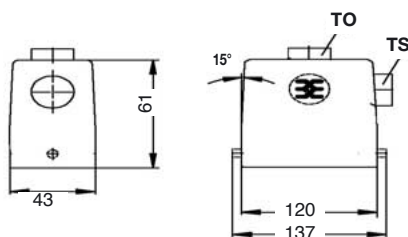


TOVL



TSVL

Dimensions



Version	Type	Cat. No.	Qty.
Standard housings, metric thread			
1 x M 25 sleeve	HDC HB24 TSVL 1xM25	1787800000	2
1 x M 32 sleeve	HDC HB24 TSVL 1xM32	1787790000	2
1 x M 25 thread	HDC HB24 TOVL 1xM25G	1787860000	2
1 x M 32 thread	HDC HB24 TOVL 1xM32G	1787850000	2
Standard housings, PG thread			
1 x Pg21 complete	HDC-HB-24-TSVL1/21P	1213800000	2
1 x Pg21 sleeve	HDC-HB-24-TSVL1/21	1662390000	2
1 x Pg29 complete	HDC-HB-24-TSVL1/29P	1662400000	2
1 x Pg29 sleeve	HDC-HB-24-TSVL1/29	1662410000	2
1 x Pg21 complete	HDC-HB-24-TOVL1/21P	1213600000	2
1 x Pg21 sleeve	HDC-HB-24-TOVL1/21	1662540000	2
1 x Pg29 complete	HDC-HB-24-TOVL1/29P	1213700000	2
1 x Pg29 sleeve	HDC-HB-24-TOVL1/29	1662550000	2

TOVL Plug hood; Top cable entry, end locking lower side
TSVL = Plug hood; Side cable entry, end locking lower side

Plug hood HBD-64

End locking / lower side / high version

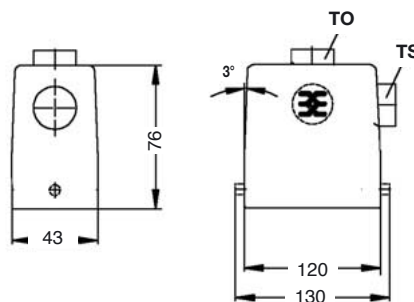


TOVL



TSVL

Dimensions



Version	Type	Cat. No.	Qty.
Standard housings, metric thread			
1 x M 25 thread	HDC HBD64 TSVL 1xM25G	1786820000	2
1 x M 32 thread	HDC HBD64 TSVL 1xM32G	1786810000	2
1 x M 25 thread	HDC HBD64 TOVL 1xM25G	1786870000	2
1 x M 32 thread	HDC HBD64 TOVL 1xM32G	1786860000	2
Standard housings, PG thread			
1 x Pg21 complete	HDC-HBD-64-TSVL1/21P	1662460000	2
1 x Pg21 sleeve	HDC-HBD-64-TSVL1/21	1662470000	2
1 x Pg29 complete	HDC-HBD-64-TSVL1/29P	1662480000	2
1 x Pg29 sleeve	HDC-HBD-64-TSVL1/29	1662490000	2
1 x Pg29 complete	HDC-HBD-64-TOVL1/29P	1662620000	2
1 x Pg29 sleeve	HDC-HBD-64-TOVL1/29	1662630000	2

TOVL Plug hood; Top cable entry, end locking lower side
TSVL = Plug hood; Side cable entry, end locking lower side

Base housing HB-24 / HBD-64

End locking / with/without cover

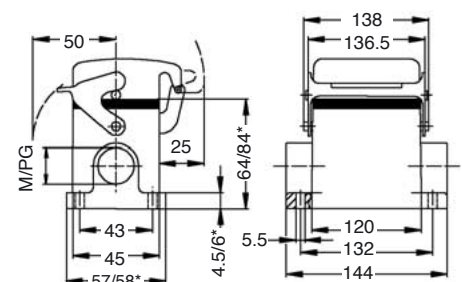


SVL



SDVL

Dimensions



*HB/HBD

Version	Type	Cat. No.	Qty.
Standard housings, metric thread			
2 x M 25 thread	HDC HB24 SVL 2xM25G	1787880000	2
2 x M 25 thread	HDC HBD64 SVL 2xM25G	1786910000	2
2 x M 32 thread	HDC HBD64 SVL 2xM32G	1786900000	2
2 x M 25 thread	HDC HBD64 SDVL 2xM25G	1786950000	2
2 x M 32 thread	HDC HBD64 SDVL 2xM32G	1786940000	2
Standard housings with cover, metric thread			
2 x M 25 thread	HDC HB24 SDVL 2xM25G	1787900000	2
Standard housings, PG thread			
1 x Pg21 complete	HDC-HB-24-SVL1/21P	1214000000	2
1 x Pg21 sleeve	HDC-HB-24-SVL1/21	1662710000	2
2 x Pg21 complete	HDC-HB-24-SVL2/21P	1214100000	2
2 x Pg21 sleeve	HDC-HB-24-SVL2/21	1662720000	2
2 x Pg21 complete	HDC-HBD-64-SVL2/21P	1662780000	2
Standard housings with cover, PG thread			
1 x Pg21 complete	HDC-HB-24-SDVL1/21P	1214400000	2
1 x Pg21 sleeve	HDC-HB-24-SDVL1/21	1662920000	2
2 x Pg21 complete	HDC-HB-24-SDVL2/21P	1214500000	2
2 x Pg29 sleeve	HDC-HBD-64-SDVL2/29	1663040000	2
1 x Pg21 complete	HDC-HBD-64-SDVL1/21P	1662970000	2
1 x Pg29 complete	HDC-HBD-64-SDVL1/29P	1663010000	2

SVL = Base housing, end locking
SDVL = Base housing with cover, end locking

For accessories see section "Accessories"

Housings Group Size 8

Coupling hood HB-24 / HBD-64

End locking



KVL

Bulkhead housing HB-24

End locking, with/without cover

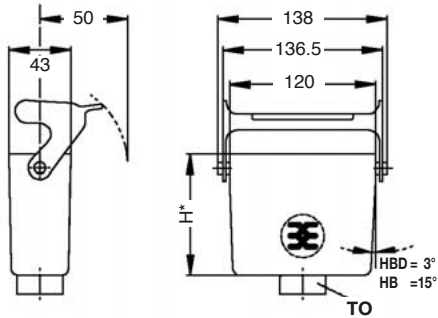


AVL



ADVL

Dimensions

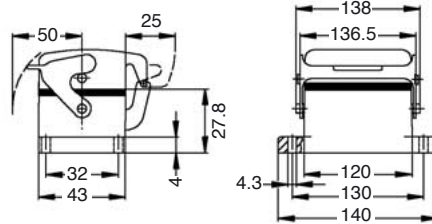


*HB = 63.8
HBD = 78.8

Version	Type	Cat. No.	Qty.
Standard housings, metric thread			
1 x M 25 thread	HDC HB24 KVL 1xM25G	1787940000	2
1 x M 32 thread	HDC HB24 KVL 1xM32G	1787930000	2
1 x M 25 thread	HDC HBD64 KVL 1xM25G	1786990000	2
1 x M 32 thread	HDC HBD64 KVL 1xM32G	1786980000	2
Standard housings, PG thread			
1 x Pg21 complete	HDC-HB-24-KVL1/21P	1663130000	2
1 x Pg29 complete	HDC-HB-24-KVL1/29P	1214200000	2
1 x Pg29 complete	HDC-HBD-64-KVL1/29P	1663220000	2

KVL = Coupling hood, end locking

Dimensions



Version	Type	Cat. No.	Qty.
Standard housings			
	HDC-HB-24-AVL	1213900000	2
Standard housings with cover			
	HDC-HB-24-ADVL	1214300000	2

AVL = Bulkhead housing, end locking

ADVL = Bulkhead housing with cover, end locking

For accessories see section "Accessories"

Housings Group Size 8

Plug hood HBD-64

Centre locking



TSVZ

Base housing HB-24

Centre locking upper side



SVZ

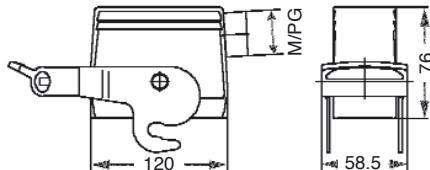
Bulkhead housing HB-24

Centre locking

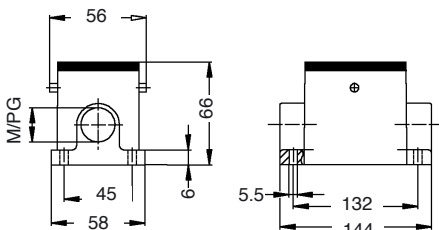


AVZ

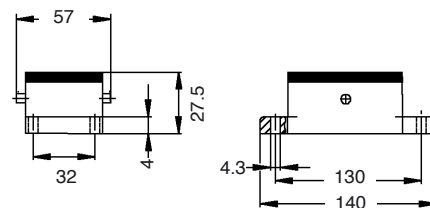
Dimensions



Dimensions



Dimensions



Version	Type	Cat. No.	Qty.
Standard housings, metric thread			
1 x Pg21	complete HDC-HBD-64-TSVZ1/21P	1663360000	2
1 x Pg29	complete HDC-HBD-64-TSVZ1/29P	1603510000	2
1 x Pg29	sleeve HDC-HBD-64-TSVZ1/29	1663390000	2

Version	Type	Cat. No.	Qty.
Standard housings, PG thread			
1 x Pg21	complete HDC-HB-24-SVZ1/21P	1600620000	2

Version	Type	Cat. No.	Qty.
Standard housings			
	HDC-HB-24-AVZ	1611350000	2

TSVZ = Plug hood; Side cable entry, centre locking

SVZ = Base housing, centre locking

AVZ = Bulkhead housing, centre locking

For accessories see section "Accessories"

Inserts Group Size 10

Crimp connection

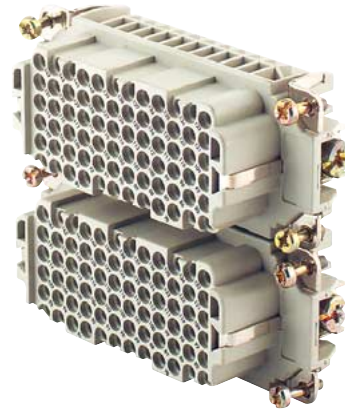
series HDD-144

144-pole

250 V/max 10 A

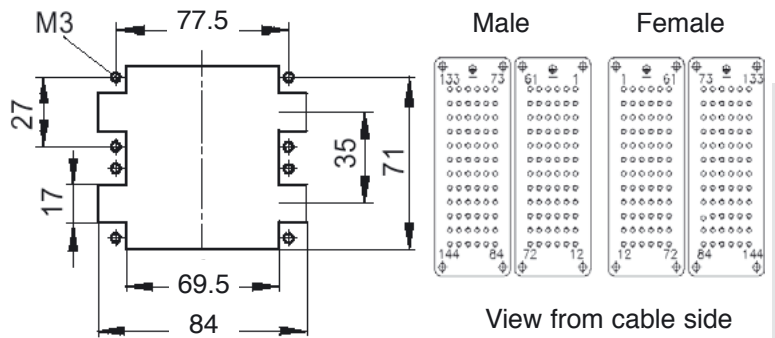
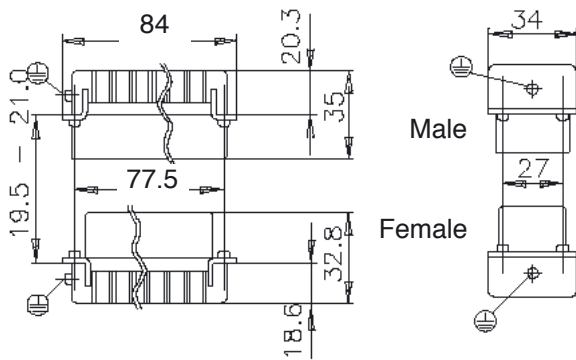


Male



Female

Dimensions



Male

Female

View from cable side

Version	Type	Cat. No.	Qty.
For turned contacts			
Male	HDC-HDD-72SCM	1651190000	5
Male	HDC-HDD-72SCM 73-144	1651240000	5

Version	Type	Cat. No.	Qty.
For turned contacts			
Female	HDC-HDD-72BCM	1651200000	5
Female	HDC-HDD-72BCM 73-144	1651260000	5

For crimp contacts see page 106

For crimp contacts see page 106

For accessories see section "Accessories"

Housings Group Size 10

Plug hood HB-32

End locking / lower side



TOVL

Base housing HB-32

End locking with/without cover



SVL

Coupling hood HB-32

End locking / with cover

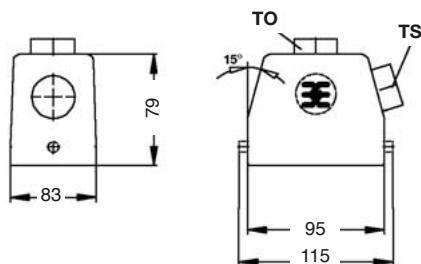


KDVL

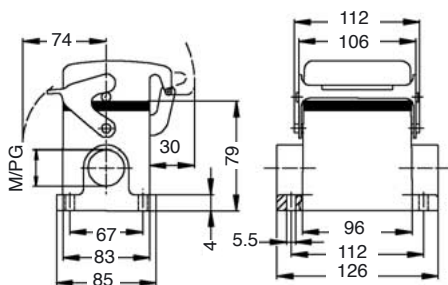


SDVL

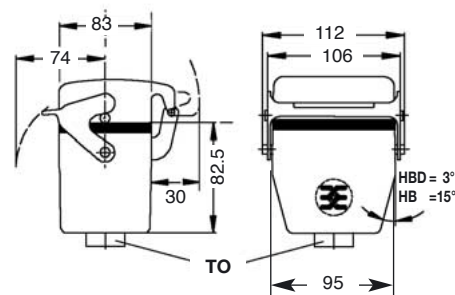
Dimensions



Dimensions



Dimensions



Version	Type	Cat. No.	Qty.
---------	------	----------	------

Standard housings, metric thread

1 x M 32 thread	HDC HB32 TSVL 1xM32G	1788420000	1
1 x M 32 thread	HDC HB32 TOVL 1xM32G	1788450000	1

Standard housings, PG thread

1 x Pg29 complete	HDC-HB-32-TSVL1/29P	1219300000	1
1 x Pg29 sleeve	HDC-HB-32-TSVL1/29	1667120000	1
1 x Pg29 complete	HDC-HB-32-TOVL1/29P	1219200000	1

Version	Type	Cat. No.	Qty.
---------	------	----------	------

Standard housings, metric thread

2 x M 32 thread	HDC HB32 SVL 2xM32G	1788470000	1
-----------------	---------------------	------------	---

Standard housings with cover, metric thread

2 x M 32 thread	HDC HB32 SDVL 2xM32G	1788490000	1
-----------------	----------------------	------------	---

Standard housings, PG thread

1 x Pg29 complete	HDC-HB-32-SVL1/29P	1219600000	1
-------------------	--------------------	------------	---

Standard housings with cover, PG thread

1 x Pg29 complete	HDC-HB-32-SDVL1/29P	1219900000	1
2 x Pg29 complete	HDC-HB-32-SDVL2/29P	1220000000	1

Version	Type	Cat. No.	Qty.
---------	------	----------	------

Standard housings with cover, metric thread

1 x M 32 thread	HDC HB32 KDVL 1xM32G	1788500000	1
-----------------	----------------------	------------	---

TOVL = Plug hood; Top cable entry, end locking lower side

TSVL = Plug hood; Side cable entry, end locking lower side

SVL = Base housing, end locking

SDVL = Base housing with cover, end locking

KDVL = Coupling hood with cover, end locking

For accessories see section "Accessories"

Housings Group Size 10

Bulkhead housing HB-32

End locking

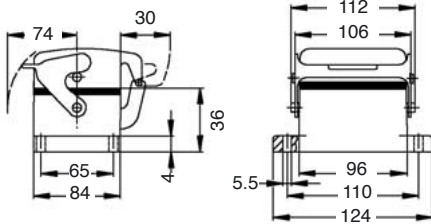


AVL



ADVL

Dimensions



Version	Type	Cat. No.	Qty.
Standard housings			
	HDC-HB-32-AVL	1219500000	1
Standard housings with cover			
	HDC-HB-32-ADVL	1219800000	1

AVL = Bulkhead housing, end locking
ADVL = Bulkhead housing with cover, end locking

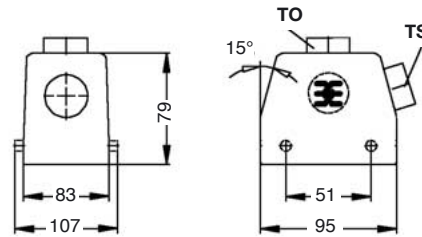
Plug hood HB-32

Side locking lower side



TSVU

Dimensions



Version	Type	Cat. No.	Qty.
Standard housings, metric thread			
1 x M 32 thread	HDC HB32 TSVU 1xM32G	1788400000	1
1 x M 32 thread	HDC HB32 TOVU 1xM32G	1788430000	1
Standard housings, PG thread			
1 x Pg29 complete	HDC-HB-32-TSVU1/29P	1217500000	1
1 x Pg29 sleeve	HDC-HB-32-TSVU1/29	1666840000	1
1 x Pg29 complete	HDC-HB-32-TOVU1/29P	1217300000	1
1 x Pg29 sleeve	HDC-HB-32-TOVU1/29	1666870000	1

TSVU = Plug hood; Side cable entry, side locking lower side
TOVU = Plug hood; Top cable entry, side locking lower side

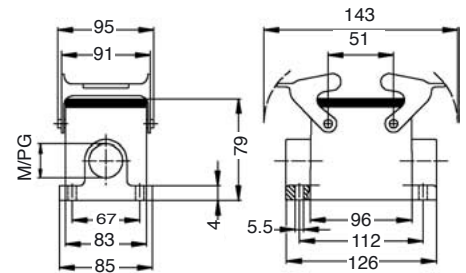
Base housing HB-32

Side locking lower side



SVU

Dimensions



Version	Type	Cat. No.	Qty.
Standard housings, metric thread			
2 x M 32 thread	HDC HB32 SVU 2xM32G	1788460000	1
Standard housings, PG thread			
1 x Pg29 complete	HDC-HB-32-SVU1/29P	1217900000	1
1 x Pg29 sleeve	HDC-HB-32-SVU1/29	1666910000	1
2 x Pg29 complete	HDC-HB-32-SVU2/29P	1218000000	1
2 x Pg29 sleeve	HDC-HB-32-SVU2/29	1666920000	1

SVU = Base housing, side locking

For accessories see section "Accessories"

Housings Group Size 10

Coupling hood HB-32

Side locking

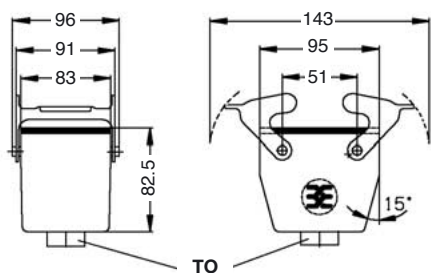


Bulkhead housing HB-32

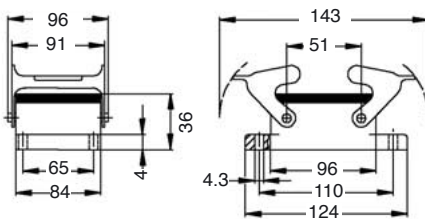
Side locking



Dimensions



Dimensions



Version	Type	Cat. No.	Qty.
Standard housings, PG thread			
1 x Pg29	complete	HDC-HB-32-KVU1/29P	1218100000 1

Version	Type	Cat. No.	Qty.
Standard housings			
		HDC-HB-32-AVU	1217800000 1

KVU = Coupling hood, side locking

AVU = Bulkhead housing, side locking

For accessories see section "Accessories"

Housings Group Size 10

Plug hood HB-32

Side locking

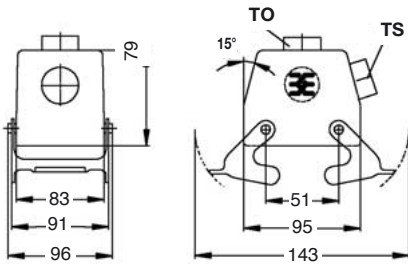


TOVO



TSVO

Dimensions



Version	Type	Cat. No.	Qty.
Standard housings, metric thread			
1 x M 32 thread	HDC HB32 TSVO 1xM32G	1788410000	1
1 x M 32 thread	HDC HB32 TOVO 1xM32G	1788440000	1
Standard housings, PG thread			
1 x Pg29 complete	HDC-HB-32-TSVO1/29P	1218500000	1
1 x Pg29 complete	HDC-HB-32-TOVO1/29P	1218300000	1

TOVO = Plug hood; Top cable entry, side locking
 TSVO = Plug hood; Side cable entry, side locking

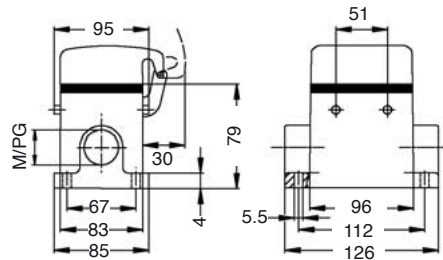
Base housing HB-32

Side locking upper side / with cover



SDVO

Dimensions



Version	Type	Cat. No.	Qty.
Standard housings with cover, metric thread			
2 x M 32 thread	HDC HB32 SDVO 2xM32G	1788480000	1
Standard housings with cover, PG thread			
1 x Pg29 complete	HDC-HB-32-SDVO1/29P	1218900000	1
2 x Pg29 complete	HDC-HB-32-SDVO2/29P	1219000000	1

SDVO = Base housing with cover, side locking upper side

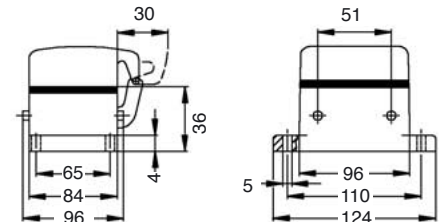
Bulkhead housing HB-32

Side locking upper side / with cover



ADVO

Dimensions



Version	Type	Cat. No.	Qty.
Standard housings with cover			
	HDC-HB-32-ADVO	1218800000	1

ADVO = Bulkhead housing with cover, side locking upper side

For accessories see section "Accessories"

Inserts Group Size 12

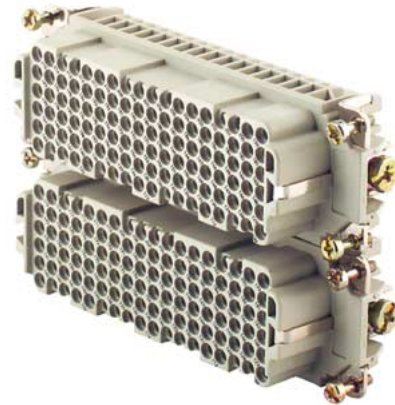
Screw connection series HDD-216

216-pole

250 V/max 10 A

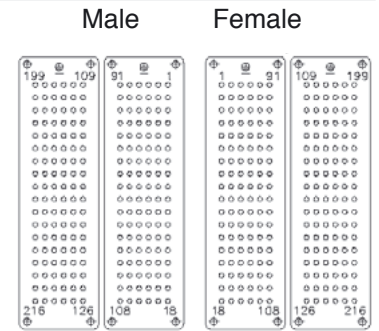
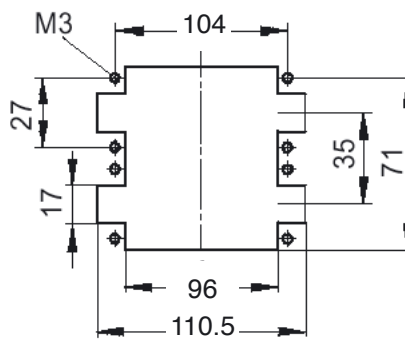
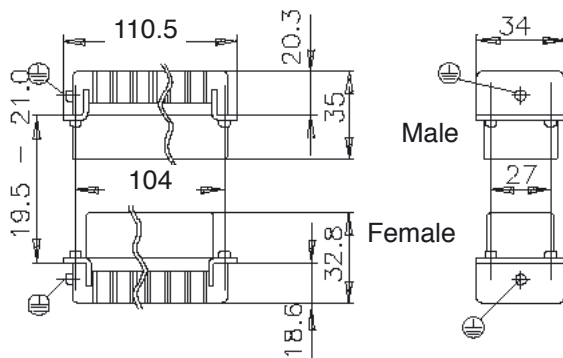


Male



Female

Dimensions



View from cable side

Version	Type	Cat. No.	Qty.
For turned contacts			
Male	HDC-HDD-108SCM	1651210000	5
Male	HDC-HDD-108SCM 109-216	1651280000	5

Version	Type	Cat. No.	Qty.
For turned contacts			
Female	HDC-HDD-108BCM	1651220000	5
Female	HDC-HDD-108BCM 109-216	1651300000	5

For crimp contacts see page 106

For crimp contacts see page 106

For accessories see section "Accessories"

Housings Group Size 12

Plug hood HB-48

End locking / lower side

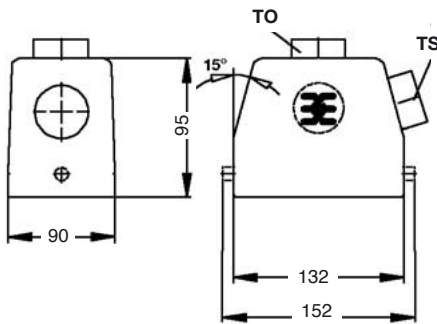


TOVL



TSVL

Dimensions



Version	Type	Cat. No.	Qty.
Standard housings, metric thread			
1 x M 32 thread	HDC HB48 TSVL M32G	1788320000	1
1 x M 40 thread	HDC HB48 TSVL M40G	1788310000	1
1 x M 50 thread	HDC HB48 TSVL M50G	1788300000	1
1 x M 32 thread	HDC HB48 TOVL M32G	1788350000	1
1 x M 40 thread	HDC HB48 TOVL M40G	1788340000	1
1 x M 50 thread	HDC HB48 TOVL M50G	1788330000	1
Standard housings, PG thread			
1 x Pg29 complete	HDC-HB-48-TSVL1/29P	1222600000	1
1 x Pg29 sleeve	HDC-HB-48-TSVL1/29	1650850000	1
1 x Pg36 complete	HDC-HB-48-TSVL1/36P	1222700000	1
1 x Pg36 sleeve	HDC-HB-48-TSVL1/36	1650860000	1
1 x Pg42 complete	HDC-HB-48-TSVL1/42P	1222800000	1
1 x Pg42 sleeve	HDC-HB-48-TSVL1/42	1670470000	1
1 x Pg29 complete	HDC-HB-48-TOVL1/29P	1222300000	1
1 x Pg29 sleeve	HDC-HB-48-TOVL1/29	1650980000	1
1 x Pg36 complete	HDC-HB-48-TOVL1/36P	1222400000	1
1 x Pg36 sleeve	HDC-HB-48-TOVL1/36	1651000000	1
1 x Pg42 complete	HDC-HB-48-TOVL1/42P	1222500000	1

TOVL = Plug hood; Top cable entry, end locking lower side

TSVL = Plug hood; Top cable entry, end locking lower side

Base housing HB-48

End locking / with/without cover

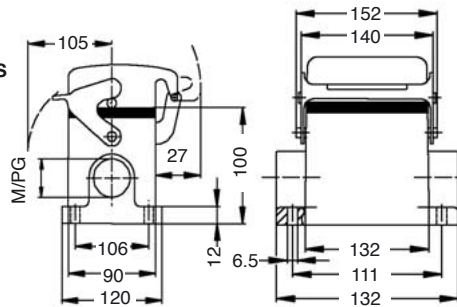


SVL



SDVL

Dimensions



Version	Type	Cat. No.	Qty.
Standard housings, metric thread			
2 x M 32 thread	HDC HB48 SVL 2xM32G	1788370000	1
2 x M 40 thread	HDC HB48 SVL 2xM40G	1788360000	1
Standard housings with cover, metric thread			
2 x M 32 thread	HDC HB48 SDVL 2xM32G	1788390000	2
2 x M 40 thread	HDC HB48 SDVL 2xM40G	1788380000	2
Standard housings, PG thread			
1 x Pg29 complete	HDC-HB-48-SVL1/29P	1223000000	1
1 x Pg29 sleeve	HDC-HB-48-SVL1/29	1651100000	1
1 x Pg36 complete	HDC-HB-48-SVL1/36P	1223200000	1
2 x Pg29 complete	HDC-HB-48-SVL2/29P	1223100000	1
Standard housings with cover, PG thread			
1 x Pg29 complete	HDC-HB-48-SDVL1/29P	1223400000	2
1 x Pg36 complete	HDC-HB-48-SDVL1/36P	1223600000	2
2 x Pg29 complete	HDC-HB-48-SDVL2/29P	1223500000	1
2 x Pg29 sleeve	HDC-HB-48-SDVL2/29	1667560000	1
2 x Pg36 complete	HDC-HB-48-SDVL2/36P	1223700000	1

SVL = Base housing, end locking

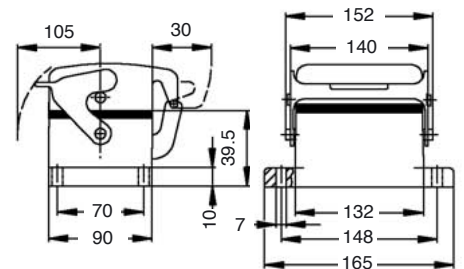
SDVL = Base housing with cover, end locking

Bulkhead housing HB-48

End locking / with/without cover



Dimensions

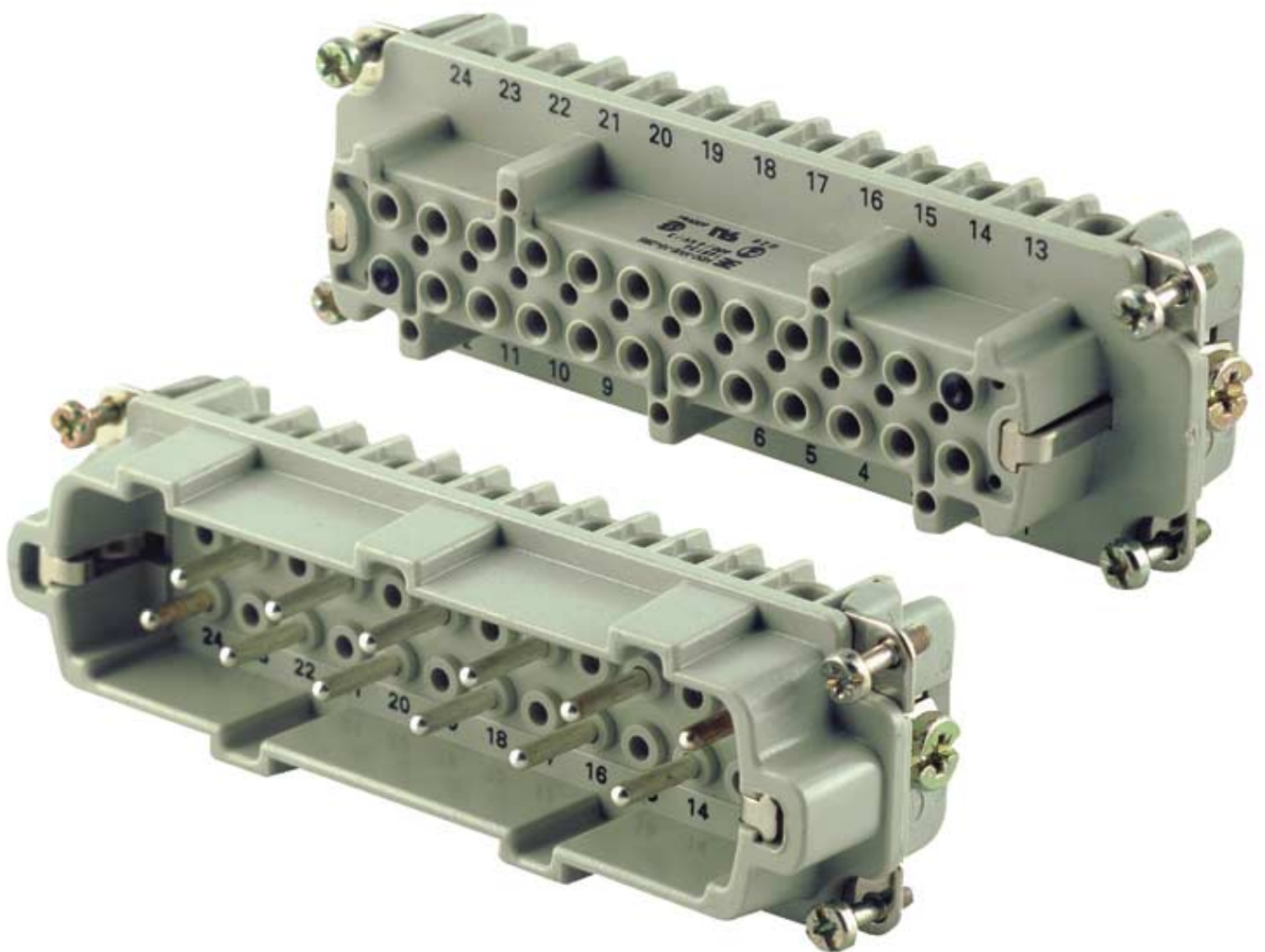


Version	Type	Cat. No.	Qty.
Standard housings with cover			
	HDC-HB-48-ADVL	1222900000	1

ADVL = Bulkhead housing, end locking

For accessories see section "Accessories"

Series HVE



Series HVE

Series HVE 3+2, 6+2, 10+2-pole screw connections

- Screw connection
- Pole numbers: 3 + 2, 6 + 2, 10 + 2

(Note: 2 lagging contacts.)

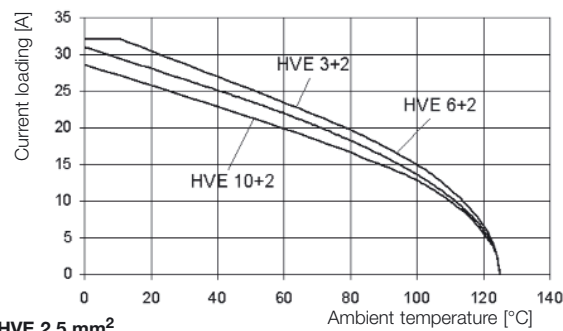
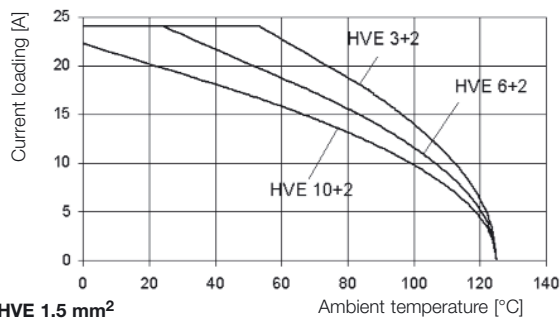
Technical Data Series HVE

Technical data

Series HVE

Standards	DIN VDE 0627 DIN VDE 0110
Approvals	
Inserts	
No. of poles	3 + 2, 6 + 2, 10 + 2 (+ PE)
Rated current	16 A max.
Rated voltage (VDE 110/1.89)	630 V
Rated impuls voltage	6 kV
Pollution	3
Contact resistance	10 ¹⁶ Ohmcm
Insulation resistance	10 ¹⁰ Ohm
Material	Thermoplastic, glass-fibre reinforced (UL listed)
Temperature range	-40° + 125° C
Flammability class acc. UL 94	
Mechanical durability	
- insertion frequency Ag	≤ 100
Rated voltage	
- to UL / CSA	600 V ~
Connection method:	
- HVE inserts	Screw
Contacts	
Material	Copper alloy
Plated	
- silver plated	3 µm Ag
Trough resistance	
- HVE inserts	< 2 mOhm
Clamping range	
- mm ²	0.5 - 2.5
- AWG	20 ... 14
Torque	0.5 Nm
Insulating stripping length	11.0 mm
Hoods and housings	
Material	Aluminium pressure die cast AL-Si 12
Surface	Powder coating grey
Locking	
- standard	Steel, zinc plated
Gasket	NBR
Temperature range	-40° + 125° C
Protection class according to DIN	
- when housing locked	IP 65

Derating curves



Inserts Group Size 4

Screw connection series HVE-3

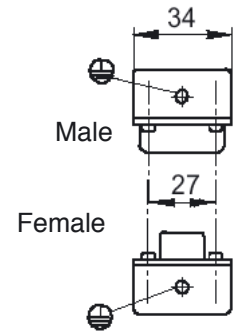
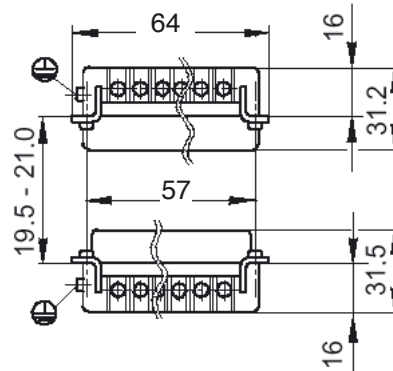
3-pole

630 V-/max. 16 A



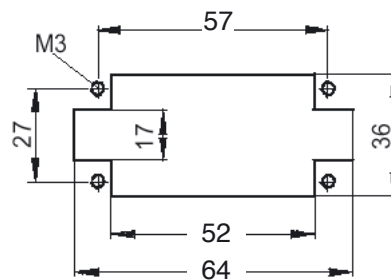
Male

Female



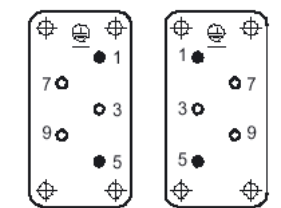
Male

Female



Male

Female



View from cable side

Version	Type	Cat. No.	Qty.
Male	HDC-HVE-3+2SS	1651310000	1
Female	HDC-HVE-3+2BS	1651320000	1

The contacts 1 and 5 are lagging contacts.

Housings Group Size 4

Plug hood HB-10

Side locking lower side

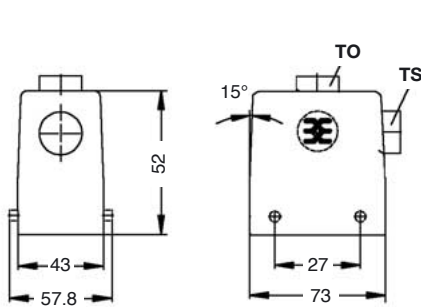


TOVU



TSVU

Dimensions



Version	Type	Cat. No.	Qty.
Standard housings, metric thread			
1 x M 20 sleeve	HDC HB10 TSVU 1xM20	1787560000	5
1 x M 25 sleeve	HDC HB10 TSVU 1xM25	1787550000	5
1 x M 20 thread	HDC HB10 TOVU 1xM20G	1787600000	5
1 x M 25 thread	HDC HB10 TOVU 1xM25G	1787590000	5
Standard housings, PG thread			
1 x Pg16 complete	HDC-HB-10-TSVU1/16P	1204800000	5
1 x Pg16 sleeve	HDC-HB-10-TSVU1/16	1654070000	5
1 x Pg21 complete	HDC-HB-10-TSVU1/21P	1654080000	5
1 x Pg21 sleeve	HDC-HB-10-TSVU1/21	1654090000	5
1 x Pg16 complete	HDC-HB-10-TOVU1/16P	1204700000	5
1 x Pg16 sleeve	HDC-HB-10-TOVU1/16	1654220000	5
1 x Pg21 complete	HDC-HB-10-TOVU1/21P	1654230000	5
1 x Pg21 sleeve	HDC-HB-10-TOVU1/21	1654240000	5

TSVU = Plug hood; Side cable entry, side locking lower side
 TOVU = Plug hood; Top cable entry, side locking lower side

Plug hood HBD-24

Side locking lower side / high version

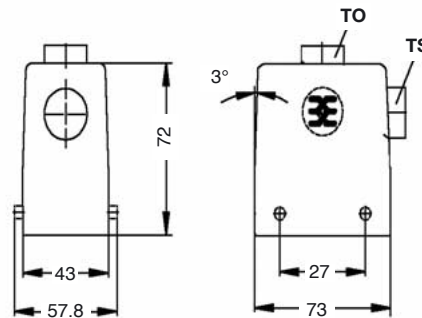


TOVU



TSVU

Dimensions



Version	Type	Cat. No.	Qty.
Standard housings, metric thread			
1 x M 25 thread	HDC HBD24 TSVU 1xM25G	1787240000	5
1 x M 32 thread	HDC HBD24 TSVU 1xM32G	1787230000	5
1 x M 25 thread	HDC HBD24 TOVU 1xM25G	1787300000	5
1 x M 32 thread	HDC HBD24 TOVU 1xM32G	1787290000	5
Standard housings, PG thread			
1 x Pg21 complete	HDC-HBD-24-TSVU1/21P	1654140000	5
1 x Pg21 sleeve	HDC-HBD-24-TSVU1/21	1654150000	5
1 x Pg29 complete	HDC-HBD-24-TSVU1/29P	1654160000	5
1 x Pg29 sleeve	HDC-HBD-24-TSVU1/29	1654170000	5
1 x Pg21 complete	HDC-HBD-24-TOVU1/21P	1654290000	5
1 x Pg29 complete	HDC-HBD-24-TOVU1/29P	1654310000	5

TSVU = Plug hood; Side cable entry, side locking lower side
 TOVU = Plug hood; Top cable entry, side locking lower side

Base housing HB-10 / HBD-24

Side locking

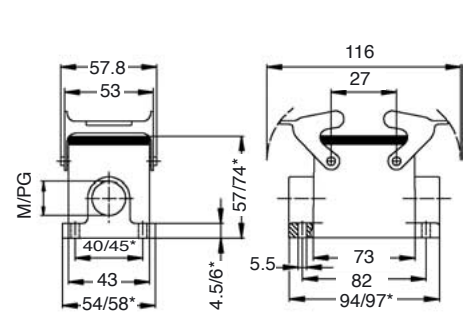


SVU



SVU

Dimensions



*HB/HBD

Version	Type	Cat. No.	Qty.
Standard housings, metric thread			
1 x M 20 thread	HDC HB10 SVU 2xM20G	1787640000	2
1 x M 25 thread	HDC HB10 SVU 2xM25G	1787630000	2
2 x M 25 thread	HDC HBD24 SVU 2xM25G	1787350000	2
2 x M 32 thread	HDC HBD24 SVU 2xM32G	1787360000	2
Standard housings, PG thread			
1 x Pg16 complete	HDC-HB-10-SVU1/16P	1205100000	2
1 x Pg16 sleeve	HDC-HB-10-SVU1/16	1654370000	2
2 x Pg16 complete	HDC-HB-10-SVU2/16P	1205200000	2
2 x Pg16 sleeve	HDC-HB-10-SVU2/16	1654380000	2
1 x Pg21 complete	HDC-HBD-24-SVU1/21P	1654420000	2
1 x Pg21 sleeve	HDC-HBD-24-SVU1/21	1654430000	2
1 x Pg29 sleeve	HDC-HBD-24-SVU1/29	1654470000	2
2 x Pg21 complete	HDC-HBD-24-SVU2/21P	1654440000	2
2 x Pg21 sleeve	HDC-HBD-24-SVU2/21	1654450000	2
2 x Pg29 complete	HDC-HBD-24-SVU2/29P	1654480000	2

SVU = Base housing, side locking

For accessories see section "Accessories"

Housings Group Size 4

Coupling hood HB-10 / HBD 24

Side locking

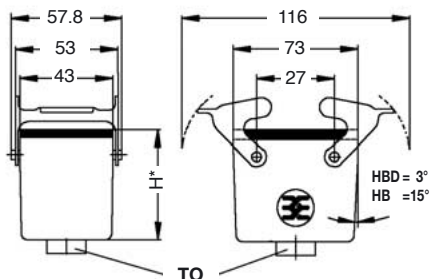


KVV



KVV

Dimensions



*HB = 54.8
HBD = 74.8

Version	Type	Cat. No.	Qty.
Standard housings, metric thread			
1 x M 20 thread	HDC HB10 KVV 1xM20G	1787720000	5
1 x M 25 thread	HDC HB10 KVV 1xM25G	1787710000	5
1 x M 25 thread	HDC HBD24 KVV 1xM25G	1787440000	2
1 x M 32 thread	HDC HBD24 KVV 1xM32G	1787430000	2
Standard housings, PG thread			
1 x Pg16 complete	HDC-HB-10-KVV1/16P	1205300000	5
1 x Pg16 sleeve	HDC-HB-10-KVV1/16	1654580000	5
1 x Pg21 complete	HDC-HB-10-KVV1/21P	1654590000	5
1 x Pg21 complete	HDC-HBD-24-KVV1/21P	1654650000	2
1 x Pg29 complete	HDC-HBD-24-KVV1/29P	1654670000	2

KVV = Coupling hood, side locking

Cover for plug hood

Cover with cord



Type	Cat. No.	Qty.
Plastic cover		
HDC-HB-10-DT	1665240000	2

For accessories see section "Accessories"

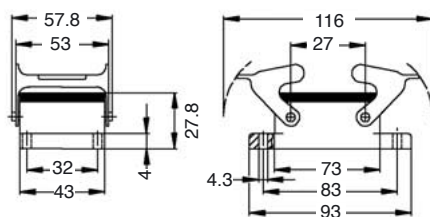
Bulkhead housing HB-10

Side locking



AVU

Dimensions

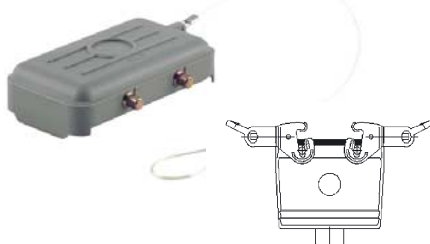


Version	Type	Cat. No.	Qty.
Standard housings			
	HDC-HB-10-AVU	1205000000	5

AVU = Bulkhead housing, side locking

Cover for lower side with side locking

Cover with cord



Type	Cat. No.	Qty.
Plastic cover		
HDC-HB-10-DB	1665230000	5

Plug hood HB-10 / HBD-24

Side locking

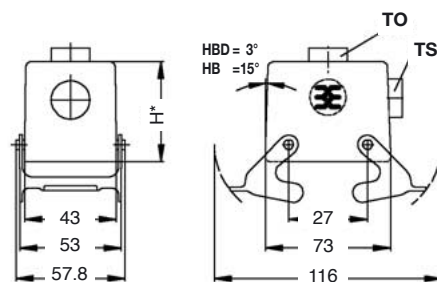


TSVO



TSVO

Dimensions



*HB = 52
HBD = 72

Version	Type	Cat. No.	Qty.
Standard housings, metric thread			
1 x M 25 sleeve	HDC HB10 TSVO 1xM25	1787570000	5
1 x M 25 thread	HDC HB10 TOVO 1xM25G	1787610000	5
1 x M 25 thread	HDC HBD24 TSVO 1xM25G	1787260000	2
1 x M 32 thread	HDC HBD24 TSVO 1xM32G	1787250000	2
1 x M 25 thread	HDC HBD24 TOVO 1xM25G	1787320000	2
1 x M 32 thread	HDC HBD24 TOVO 1xM32G	1787310000	2
Standard housings, PG thread			
1 x Pg16 complete	HDC-HB-10-TSVO1/16P	1205500000	5
1 x Pg16 sleeve	HDC-HB-10-TSVO1/16	1654750000	5
1 x Pg16 complete	HDC-HB-10-TOVO1/16P	1205400000	5
1 x Pg16 sleeve	HDC-HB-10-TOVO1/16	1654860000	5
1 x Pg21 sleeve	HDC-HBD-24-TSVO1/21	1654790000	2
1 x Pg29 complete	HDC-HBD-24-TSVO1/29P	1654800000	2
1 x Pg29 sleeve	HDC-HBD-24-TSVO1/29	1654810000	2
1 x Pg21 complete	HDC-HBD-24-TOVO1/21P	1654890000	2
1 x Pg29 complete	HDC-HBD-24-TOVO1/29P	1654910000	2
1 x Pg29 sleeve	HDC-HBD-24-TOVO1/29	1654920000	2

TSVO = Plug hood; Side cable entry side locking
TOVO = Plug hood; Top cable entry, side locking

Housings Group Size 4

Base housing HB-10 / HBD-24

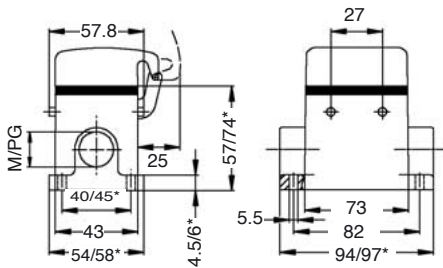
Side locking upper side



SDVO



Dimensions



*HB/HBD

Version	Type	Cat. No.	Qty.
Standard housings with cover, metric thread			
1 x M 20 thread	HDC HB10 SDVO 2xM20G	1787680000	2
1 x M 25 thread	HDC HB10 SDVO 2xM25G	1787670000	2
1 x M 25 thread	HDC HBD24 SDVO 2xM25G	1787400000	1
1 x M 32 thread	HDC HBD24 SDVO 2xM32G	1787390000	1
Standard housings with cover, PG thread			
1 x Pg16 complete	HDC-HB-10-SDVO1/16P	1205700000	2
1 x Pg16 sleeve	HDC-HB-10-SDVO1/16	1654990000	2
2 x Pg16 complete	HDC-HB-10-SDVO2/16P	1205800000	2
2 x Pg16 sleeve	HDC-HB-10-SDVO2/16	1655000000	2
1 x Pg21 complete	HDC-HBD-24-SDVO1/21P	1655050000	1
1 x Pg29 complete	HDC-HBD-24-SDVO1/29P	1655090000	1
2 x Pg29 complete	HDC-HBD-24-SDVO2/29P	1655110000	1

SDVO = Base housing with cover, side locking upper side

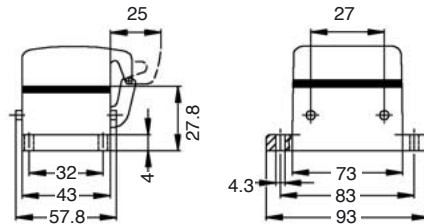
Bulkhead housing HB-10

with cover / side locking upper side



ADVO

Dimensions

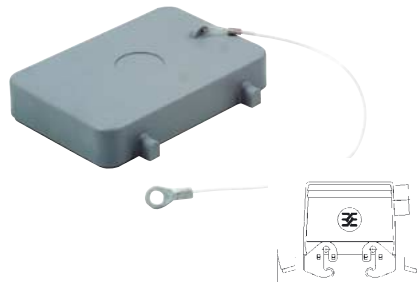


Version	Type	Cat. No.	Qty.
Standard housings with cover			
	HDC-HB-10-ADVO	1205600000	5

ADVO = Bulkhead housing with cover, side locking upper side

Cover for plug hood with side locking

Cover with cord



Type	Cat. No.	Qty.
Plastic cover		
HDC-HB-10-DBP	1665250000	5

Plug hood HB-10 / HBD-24

End locking lower side

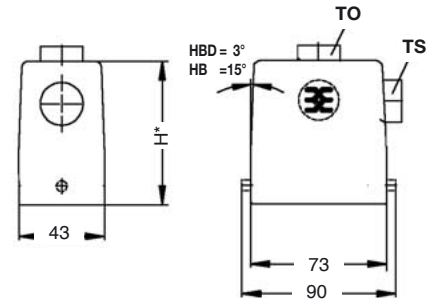


TOVL



TOVL

Dimensions



*HB = 52
HBD = 72

Version	Type	Cat. No.	Qty.
Standard housings, metric thread			
1 x M 25 sleeve	HDC HB10 TSVL 1xM25	1787580000	5
1 x M 25 thread	HDC HB10 TOVL 1xM25G	1787620000	5
1 x M 25 thread	HDC HBD24 TSVL 1xM25G	1787280000	2
1 x M 32 thread	HDC HBD24 TSVL 1xM32G	1787270000	2
1 x M 25 thread	HDC HBD24 TOVL 1xM25G	1787340000	2
1 x M 32 thread	HDC HBD24 TOVL 1xM32G	1787330000	2
Standard housings, PG thread			
1 x Pg16 complete	HDC-HB-10-TSVL1/16P	1206000000	5
1 x Pg16 sleeve	HDC-HB-10-TSVL1/16	1655210000	5
1 x Pg16 complete	HDC-HB-10-TOVL1/16P	1205900000	5
1 x Pg16 sleeve	HDC-HB-10-TOVL1/16	1655320000	5
1 x Pg21 complete	HDC-HBD-24-TSVL1/21P	1655240000	2
1 x Pg21 sleeve	HDC-HBD-24-TSVL1/21	1655250000	2
1 x Pg29 complete	HDC-HBD-24-TSVL1/29P	1655260000	2
1 x Pg29 sleeve	HDC-HBD-24-TSVL1/29	1655270000	2
1 x Pg21 complete	HDC-HBD-24-TOVL1/21P	1655350000	2
1 x Pg21 sleeve	HDC-HBD-24-TOVL1/21	1655360000	2
1 x Pg29 complete	HDC-HBD-24-TOVL1/29P	1655370000	2
1 x Pg29 sleeve	HDC-HBD-24-TOVL1/29	1655380000	2

TSVL = Plug hood; Side cable entry, end locking

TOVL = Plug hood; Top cable entry, end locking

For accessories see section "Accessories"

Housings Group Size 4

Base housing HB-10 / HBD-24

End locking, with/without cover



SVL



SDVL

Coupling hood HB-10 / HBD-24

End locking



KVL



KVL

Bulkhead housing HB-10

End locking, with/without cover

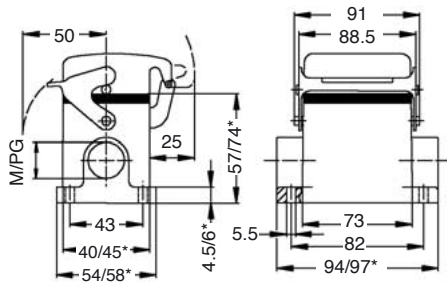


AVL



ADVL

Dimensions



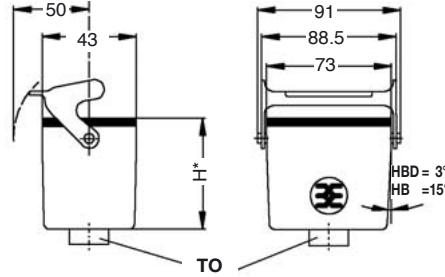
*HB/HBG

Version	Type	Cat. No.	Qty.
Standard housings, metric thread			
2 x M 20 thread	HDC HB10 SVL 2xM20G	1787660000	2
2 x M 25 thread	HDC HB10 SVL 2xM25G	1787650000	2
2 x M 25 thread	HDC HBD24 SVL 2xM25G	1787380000	2
2 x M 32 thread	HDC HBD24 SVL 2xM32G	1787370000	2
Standard housings with cover, metric thread			
2 x M 20 thread	HDC HB10 SDVL 2xM20G	1787700000	2
2 x M 25 thread	HDC HB10 SDVL 2xM25G	1787690000	2
1 x M 25 thread	HDC HBD24 SDVL 1xM25G	1787420000	1
1 x M 32 thread	HDC HBD24 SDVL 1xM32G	1787410000	1
Standard housings, PG thread			
1 x Pg16 complete	HDC-HB-10-SVL1/16P	1206200000	2
1 x Pg16 sleeve	HDC-HB-10-SVL1/16	1655460000	2
2 x Pg16 complete	HDC-HB-10-SVL2/16P	1206300000	2
2 x Pg16 sleeve	HDC-HB-10-SVL2/16	1655470000	2
1 x Pg21 complete	HDC-HBD-24-SVL1/21P	1655510000	2
1 x Pg29 complete	HDC-HBD-24-SVL1/29P	1655550000	2
Standard housings with cover, PG thread			
1 x Pg16 complete	HDC-HB-10-SDVL1/16P	1206600000	2
1 x Pg16 sleeve	HDC-HB-10-SDVL1/16	1655670000	2
2 x Pg16 complete	HDC-HB-10-SDVL2/16P	1206700000	1
2 x Pg16 sleeve	HDC-HB-10-SDVL2/16	1655680000	1
1 x Pg21 complete	HDC-HBD-24-SDVL1/21P	1655720000	1

SVL = Base housing, end locking

SDVL = Base housing with cover, end locking

Dimensions

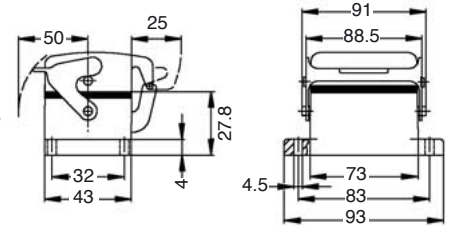


*HB = 54.8
HBD = 74.8

Version	Type	Cat. No.	Qty.
Standard housings, metric thread			
1 x M 20 thread	HDC HB10 KVL 1xM20G	1787740000	5
1 x M 25 thread	HDC HB10 KVL 1xM25G	1787730000	2
1 x M 25 thread	HDC HBD24 KVL 1xM25G	1787460000	2
1 x M 32 thread	HDC HBD24 KVL 1xM32G	1787450000	2
Standard housings, PG thread			
1 x Pg16 complete	HDC-HB-10-KVL1/16P	1655880000	5
1 x Pg16 sleeve	HDC-HB-10-KVL1/16	1655890000	5
1 x Pg21 complete	HDC-HB-10-KVL1/21P	1655900000	2

KVL = Coupling hood, end locking

Dimensions



Version	Type	Cat. No.	Qty.
Standard housings			
	HDC-HB-10-AVL	1206100000	5
Standard housings with cover			
	HDC-HB-10-ADVL	1206500000	2

AVL = Bulkhead housing, end locking

ADVL = Bulkhead housing with cover, end locking

For accessories see section "Accessories"

Inserts Group Size 6

Screw connection series HVE-6

6-pole

630 V-/max 16 A

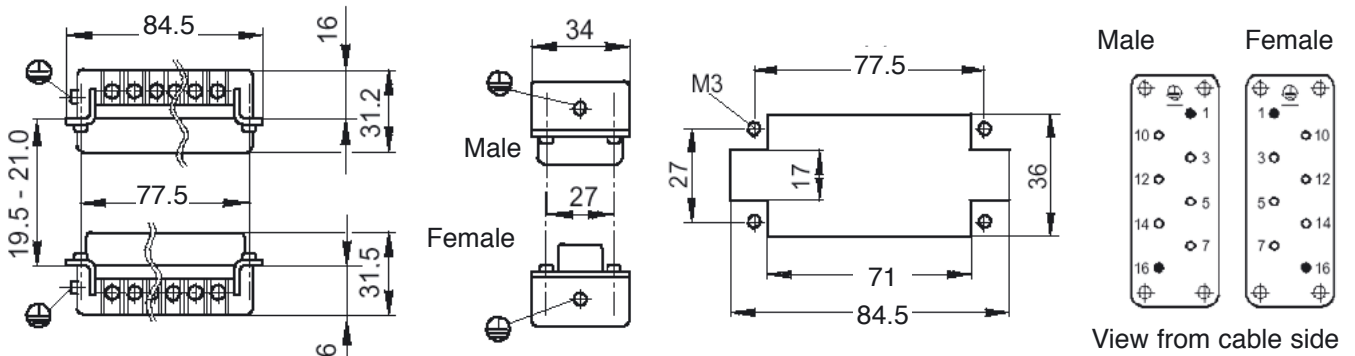


Male



Female

Dimensions



Version	Type	Cat. No.	Qty.
Male	HDC-HVE-6+2SS	1651330000	1

Version	Type	Cat. No.	Qty.
Female	HDC-HVE-6+2BS	1651340000	1

The contacts 1 and 16 are lagging contacts.

The contacts 1 and 16 are lagging contacts.

For accessories see section "Accessories"

Housings Group Size 6

Plug hood HB-16 / HBD-40

Side locking lower side

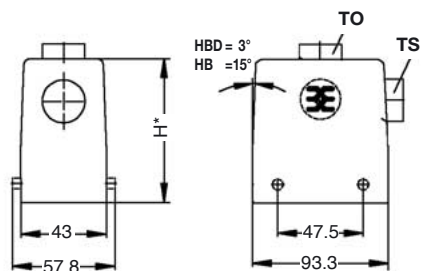


TSVU



TOVU

Dimensions



*HB = 61
HBD = 76

Version	Type	Cat. No.	Qty.
Standard housings, metric thread			
1 x M 25 sleeve	HDC HB16 TSVU 1xM25	1788180000	5
1 x M 25 thread	HDC HB16 TOVU 1xM25G	1788210000	5
1 x M 25 thread	HDC HBD40 TSVU 1xM25G	1787010000	5
1 x M 32 thread	HDC HBD40 TSVU 1xM32G	1787000000	5
1 x M 25 thread	HDC HBD40 TOVU 1xM25G	1787070000	5
1 x M 32 thread	HDC HBD40 TOVU 1xM32G	1787060000	5
Standard housings, PG thread			
1 x Pg21 complete	HDC-HB-16-TSVU1/21P	1208400000	5
1 x Pg21 sleeve	HDC-HB-16-TSVU1/21	1656480000	5
1 x Pg21 complete	HDC-HB-16-TOVU1/21P	1208300000	5
1 x Pg21 sleeve	HDC-HB-16-TOVU1/21	1656590000	5
1 x Pg21 complete	HDC-HBD-40-TSVU1/21P	1656510000	5
1 x Pg21 sleeve	HDC-HBD-40-TSVU1/21	1656520000	5
1 x Pg29 complete	HDC-HBD-40-TSVU1/29P	1656530000	5
1 x Pg29 sleeve	HDC-HBD-40-TSVU1/29	1656540000	5
1 x Pg21 complete	HDC-HBD-40-TOVU1/21P	1656620000	5
1 x Pg21 sleeve	HDC-HBD-40-TOVU1/21	1656630000	5
1 x Pg29 complete	HDC-HBD-40-TOVU1/29P	1656640000	5
1 x Pg29 sleeve	HDC-HBD-40-TOVU1/29	1656650000	5

TOVU = Plug hood; Top cable entry, side locking lower side

TSVU = Plug hood; Side cable entry, side locking lower side

For accessories see section "Accessories"

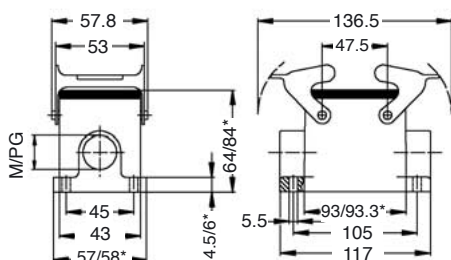
Base housing HB-16 / HBD-40

Side locking



SVU

Dimensions



*HB/HBD

Version	Type	Cat. No.	Qty.
Standard housings, metric thread			
1 x M 25 thread	HDC HB16 SVU 2xM25G	1788240000	2
2 x M 25 thread	HDC HBD40 SVU 2xM25G	1787120000	2
2 x M 32 thread	HDC HBD40 SVU 2xM32G	1787110000	2
Standard housings, PG thread			
1 x Pg21 complete	HDC-HB-16-SVU1/21P	1208700000	2
1 x Pg21 sleeve	HDC-HB-16-SVU1/21	1656720000	2
2 x Pg21 complete	HDC-HB-16-SVU2/21P	1208800000	2
2 x Pg21 sleeve	HDC-HB-16-SVU2/21	1656730000	2
1 x Pg21 sleeve	HDC-HBD-40-SVU1/21	1656790000	2
1 x Pg29 complete	HDC-HBD-40-SVU1/29P	1656820000	2
2 x Pg21 complete	HDC-HBD-40-SVU2/21P	1656800000	2
2 x Pg21 sleeve	HDC-HBD-40-SVU2/21	1656810000	2
2 x Pg29 complete	HDC-HBD-40-SVU2/29P	1656840000	2

SVU = Base housing, side locking lower side

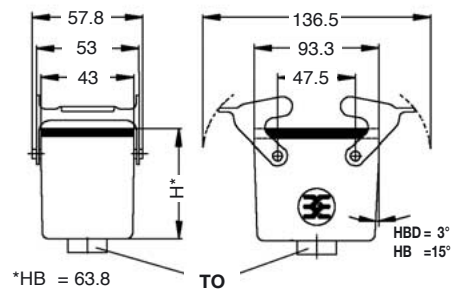
Coupling hood HB-16 / HBD-40

Side locking



KVVU

Dimensions



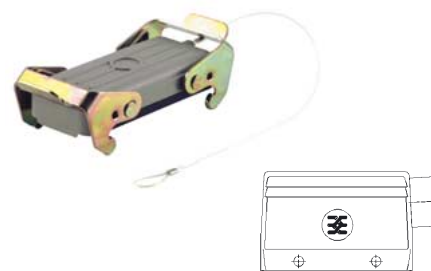
*HB = 63.8
HBD = 78.8

Version	Type	Cat. No.	Qty.
Standard housings, metric thread			
1 x M 25 thread	HDC HBD40 KVVU 1xM25G	1787200000	2
1 x M 32 thread	HDC HBD40 KVVU 1xM32G	1787190000	2
1 x M 25 thread	HDC HB16 KVVU 1xM25G	1788280000	2
Standard housings, PG thread			
1 x Pg21 complete	HDC-HB-16-KVVU1/21P	1208900000	2
1 x Pg21 sleeve	HDC-HB-16-KVVU1/21	1657270000	2
1 x Pg21 complete	HDC-HBD-40-KVVU1/21P	1657300000	2
1 x Pg21 sleeve	HDC-HBD-40-KVVU1/21	1657310000	2
1 x Pg29 complete	HDC-HBD-40-KVVU1/29P	1657320000	2

KVVU = Coupling hood, side locking

Cover for plug hood

Cover with cord



Type	Cat. No.	Qty.
Plastic cover		
HDC-HB-16-DT	1665270000	2

Housings Group Size 6

Bulkhead housing HB-16

Side locking



AVU

Plug hood HB-16 / HBD-40

Side locking



TSVO



TOVO

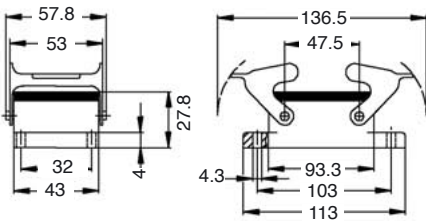
Base housing HB-16 / HBD-40

Side locking upper side

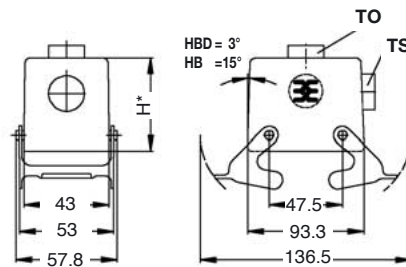


SDVO

Dimensions

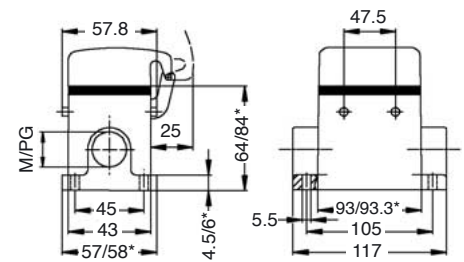


Dimensions



*HB = 61
HBD = 76

Dimensions



Version	Type	Cat. No.	Qty.
Standard housings			
	HDC-HB-16-AVU	120860000	5

AVU = Bulkhead housing, side locking

Version	Type	Cat. No.	Qty.
Standard housings, metric thread			
1 x M 25 sleeve	HDC HB16 TSVO 1xM25	1788190000	2
1 x M 25 thread	HDC HB16 TOVO 1xM25G	1788220000	2
1 x M 25 thread	HDC HBD40 TSVO 1xM25G	1787030000	2
1 x M 32 thread	HDC HBD40 TSVO 1xM32G	1787020000	2
1 x M 25 thread	HDC HBD40 TOVO 1xM25G	1787090000	2
1 x M 32 thread	HDC HBD40 TOVO 1xM32G	1787080000	2

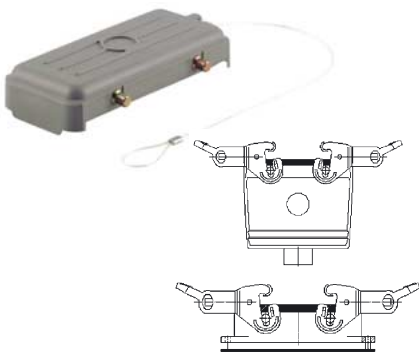
Standard housings, PG thread

1 x Pg21 complete	HDC-HB-16-TSVO1/21P	1209100000	2
1 x Pg21 sleeve	HDC-HB-16-TSVO1/21	1657380000	2
1 x Pg21 complete	HDC-HB-16-TOVO1/21P	1209000000	2
1 x Pg21 sleeve	HDC-HB-16-TOVO1/21	1657490000	2
1 x Pg21 complete	HDC-HBD-40-TSVO1/21P	1657410000	2
1 x Pg21 sleeve	HDC-HBD-40-TSVO1/21	1657420000	2
1 x Pg29 complete	HDC-HBD-40-TSVO1/29P	1657430000	2
1 x Pg21 complete	HDC-HBD-40-TOVO1/21P	1657520000	2
1 x Pg29 complete	HDC-HBD-40-TOVO1/29P	1657540000	2
1 x Pg29 sleeve	HDC-HBD-40-TOVO1/29	1657550000	2

Version	Type	Cat. No.	Qty.
Standard housings with cover, metric thread			
2 x M 25 thread	HDC HB16 SDVO 2xM25G	1788260000	2
2 x M 25 thread	HDC HBD40 SDVO 2xM25G	1787160000	2
2 x M 32 thread	HDC HBD40 SDVO 2xM32G	1787150000	2
Standard housings with cover, PG thread			
1 x Pg21 complete	HDC-HB-16-SDVO1/21P	1209300000	2
2 x Pg21 complete	HDC-HB-16-SDVO2/21P	1209400000	2
2 x Pg21 sleeve	HDC-HB-16-SDVO2/21	1657640000	2
1 x Pg21 complete	HDC-HBD-40-SDVO1/21P	1657690000	2
1 x Pg21 sleeve	HDC-HBD-40-SDVO1/21	1657700000	2
2 x Pg21 complete	HDC-HBD-40-SDVO2/21P	1657710000	2

Cover for lower side with side locking

Cover with cord



Type	Cat. No.	Qty.
Plastic cover		
HDC-HB-16-DB	1665260000	2

For accessories see section "Accessories"

TSVO = Plug hood; Side cable entry, side locking

TOVO = Plug hood; Top cable entry, side locking

SDVO = Base housing with cover, side locking upper side

Housings Group Size 6

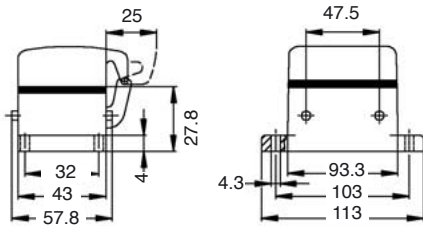
Bulkhead housing HB-16

Side locking upper side



ADVO

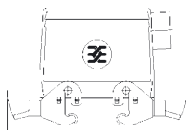
Dimensions



Version	Type	Cat. No.	Qty.
Standard housings			
	HDC-HB-16-ADVO	1209200000	2
ADVL = Bulkhead housing with cover, side locking			

Cover for plug hood with side locking

Cover with cord



Type	Cat. No.	Qty.
Plastic cover		
HDC-HB-16-DBP	1665620000	5

For accessories see section "Accessories"

Plug hood HB-16 / HBD-40

End locking lower side / high version

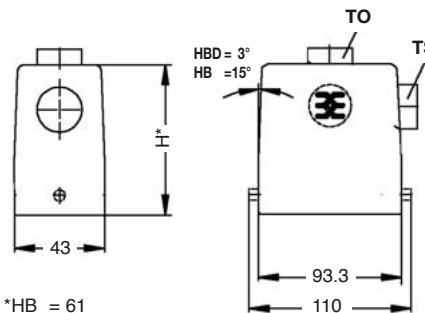


TOVL



TSVL

Dimensions



*HB = 61
HBD = 76

Version	Type	Cat. No.	Qty.
Standard housings, metric thread			
1 x M 25 sleeve	HDC HB16 TSVL 1xM25	1788200000	5
1 x M 25 thread	HDC HB16 TOVL 1xM25G	1788230000	5
1 x M 32 thread	HDC HB16 TSVL 1xM32G	1804640000	5
1 x M 32 thread	HDC HB16 TOVL 1xM32G	1804630000	5
1 x M 25 thread	HDC HBD40 TSVL 1xM25G	1787050000	5
1 x M 32 thread	HDC HBD40 TSVL 1xM32G	1787040000	5
1 x M 32 thread	HDC HBD40 TOVL 1xM32G	1787100000	5
Standard housings, PG thread			
1 x Pg21 complete	HDC-HB-16-TSVL1/21P	1209600000	5
1 x Pg21 sleeve	HDC-HB-16-TSVL1/21	1657850000	5
1 x Pg21 complete	HDC-HB-16-TOVL1/21P	1209500000	5
1 x Pg21 sleeve	HDC-HB-16-TOVL1/21	1657960000	5
1 x Pg21 complete	HDC-HBD-40-TSVL1/21P	1657880000	5
1 x Pg21 sleeve	HDC-HBD-40-TSVL1/21	1657890000	5
1 x Pg29 complete	HDC-HBD-40-TSVL1/29P	1657900000	5
1 x Pg29 sleeve	HDC-HBD-40-TSVL1/29	1657910000	5
1 x Pg21 complete	HDC-HBD-40-TOVL1/21P	1657990000	5
1 x Pg21 sleeve	HDC-HBD-40-TOVL1/21	1658000000	5
1 x Pg29 complete	HDC-HBD-40-TOVL1/29P	1658010000	5
1 x Pg29 sleeve	HDC-HBD-40-TOVL1/29	1658020000	5

TSVL = Plug hood; Side cable entry, end locking lower side
TOVL = Plug hood; Top cable entry, end locking lower side

Base housing HB-16 / HBD-40

End locking with / without cover

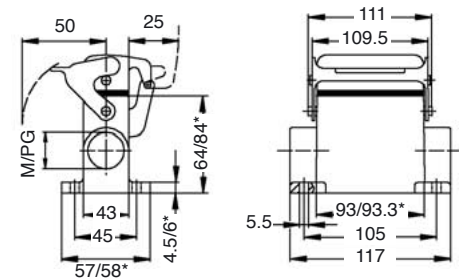


SVL



SDVL

Dimensions



*HB/HBD

Version	Type	Cat. No.	Qty.
Standard housings, metric thread			
2 x M 25 thread	HDC HB16 SVL 2xM25G	1788250000	2
2 x M 25 thread	HDC HBD40 SVL 2xM25G	1787140000	2
2 x M 32 thread	HDC HBD40 SVL 1xM32G	1804660000	2
2 x M 32 thread	HDC HBD40 SVL 2xM32G	1787130000	2
2 x M 25 thread	HDC HB16 SDVL 2xM25G	1788270000	2
2 x M 25 thread	HDC HBD40 SDVL 2xM25G	1787180000	2
2 x M 32 thread	HDC HBD40 SDVL 2xM32G	1787170000	2
Standard housings, PG thread			
1 x Pg21 complete	HDC-HB-16-SVL1/21P	1209800000	2
1 x Pg21 sleeve	HDC-HB-16-SVL1/21	1658110000	2
2 x Pg21 complete	HDC-HB-16-SVL2/21P	1209900000	2
2 x Pg21 sleeve	HDC-HB-16-SVL2/21	1658120000	2
1 x Pg21 complete	HDC-HB-16-SDVL1/21P	1210200000	2
1 x Pg21 sleeve	HDC-HB-16-SDVL1/21	1658320000	2
2 x Pg21 complete	HDC-HB-16-SDVL2/21P	1210300000	2
2 x Pg21 sleeve	HDC-HB-16-SDVL2/21	1658330000	2
1 x Pg21 complete	HDC-HBD-40-SDVL1/21P	1658370000	2
1 x Pg29 complete	HDC-HBD-40-SDVL1/29P	1658410000	2
2 x Pg29 complete	HDC-HBD-40-SDVL2/29P	1658430000	2

SVL = Base housing, end locking
SDVL = Base housing with cover, end locking

Housings Group Size 6

Coupling hood HB-16 / HBD-40

End locking



KVL

Bulkhead housing HB-16

End locking

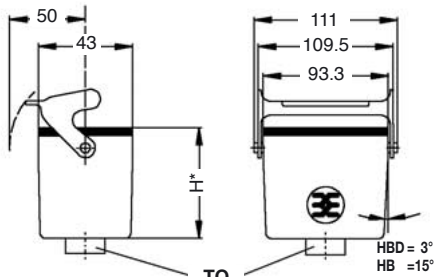


AVL



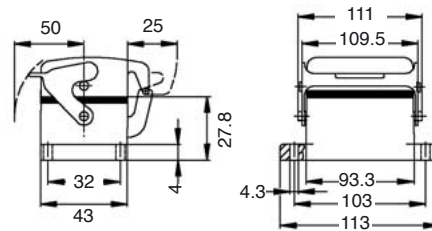
ADVL

Dimensions



*HB = 63.5
HBD = 78.5

Dimensions



Version	Type	Cat. No.	Qty.
Standard housings, metric thread			
1 x M 25 thread	HDC HB16 KVL 1xM25G	1788290000	2
1 x M 25 thread	HDC HBD40 KVL 1xM25G	1787220000	2
1 x M 32 thread	HDC HBD40 KVL 1xM32G	1787210000	2
Standard housings, PG thread			
1 x Pg21 complete	HDC-HB-16-KVL1/21P	1210000000	2
1 x Pg29 complete	HDC-HBD-40-KVL1/29P	1658580000	2

KVL = Coupling hood, end locking

Version	Type	Cat. No.	Qty.
Standard housings			
	HDC-HB-16-AVL	1209700000	5
Standard housings with cover			
	HDC-HB-16-ADVL	1210100000	2
AVL = Bulkhead housing, end locking			
ADVL = Bulkhead housing with cover, end locking			

For accessories see section "Accessories"

Housings Group Size 6

Plug hood HBD-40

Centre locking



TSVZ

Base housing HB-16 / HBD-40

Centre locking upper side



SVZ

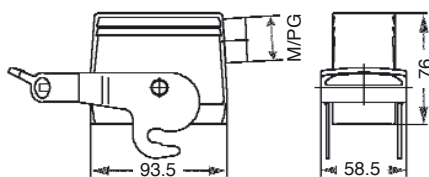
Bulkhead housing HB-16

Centre locking upper side

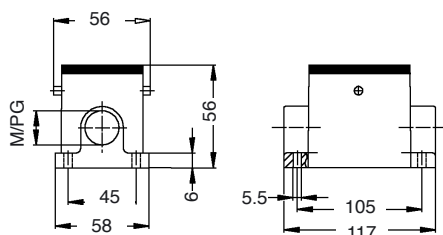


AVZ

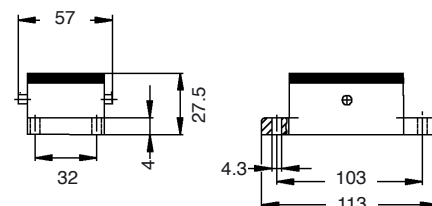
Dimensions



Dimensions



Dimensions



Version	Type	Cat. No.	Qty.
---------	------	----------	------

Standard housings, PG thread

1 x Pg21	complete HDC-HBD-40-TSVZ1/21P	1658680000	2
----------	-------------------------------	-------------------	---

TSVZ = Plug hood; Side cable entry, centre locking

Version	Type	Cat. No.	Qty.
---------	------	----------	------

Standard housings, PG thread

1 x Pg21	complete HDC-HB-16-SVZ1/21P	1600610000	2
----------	-----------------------------	-------------------	---

1 x Pg21	sleeve HDC-HB-16-SVZ1/21	1658860000	2
----------	--------------------------	-------------------	---

2 x Pg21	complete HDC-HB-16-SVZ2/21P	1658870000	2
----------	-----------------------------	-------------------	---

SVZ = Base housing, centre locking

Version	Type	Cat. No.	Qty.
---------	------	----------	------

Standard housings

	HDC-HB-16-AVZ	1611360000	2
--	---------------	-------------------	---

AVZ = Bulkhead housing, centre locking

For accessories see section "Accessories"

Inserts Group Size 8

Screw connection series HVE-10

10-pole

630 V-/max 16 A

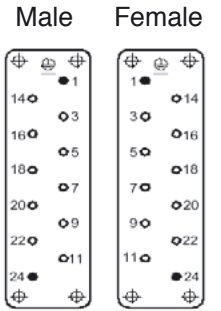
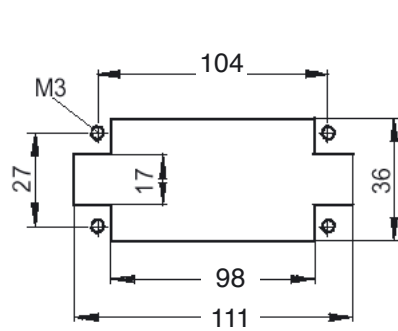
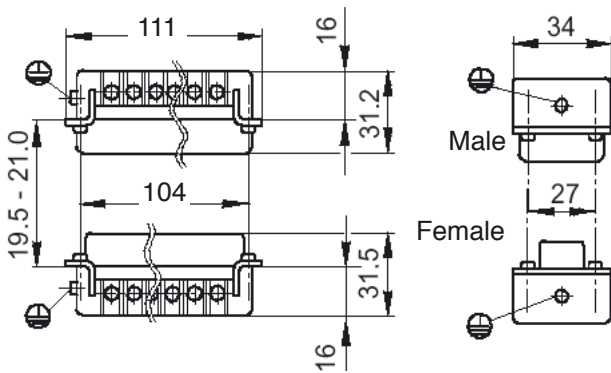


Male



Female

Dimensions



View from cable side

Version	Type	Cat. No.	Qty.
Male	HDC-HVE-10+2SS	1651350000	1

Version	Type	Cat. No.	Qty.
Female	HDC-HVE-10+2BS	1651360000	1

The contacts 1 and 24 are lagging contacts.

The contacts 1 and 24 are lagging contacts.

For accessories see section "Accessories"

Housings Group Size 8

Plug hood HB-24

Side locking lower side

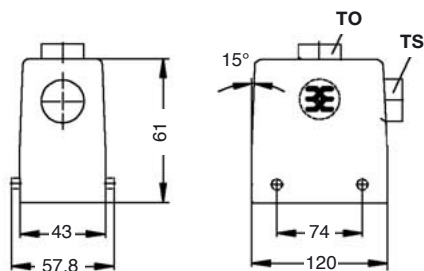


TOVU



TSVU

Dimensions



Version	Type	Cat. No.	Qty.
Standard housings, metric thread			
1 x M 25 thread	HDC HB24 TOVU 1xM25G	1787820000	2
1 x M 32 sleeve	HDC HB24 TSVU 1xM32	1787750000	2
1 x M 25 sleeve	HDC HB24 TSVU 1xM25	1787760000	2
1 x M 32 thread	HDC HB24 TOVU 1xM32G	1787810000	2
Standard housings, PG thread			
1 x Pg21 complete	HDC-HB-24-TSVU1/21P	1212100000	2
1 x Pg21 sleeve	HDC-HB-24-TSVU1/21	1661230000	2
1 x Pg29 complete	HDC-HB-24-TSVU1/29P	1212200000	2
1 x Pg29 sleeve	HDC-HB-24-TSVU1/29	1661240000	2
1 x Pg21 complete	HDC-HB-24-TOVU1/21P	1211900000	2
1 x Pg21 sleeve	HDC-HB-24-TOVU1/21	1661370000	2
1 x Pg29 complete	HDC-HB-24-TOVU1/29P	1212000000	2
1 x Pg29 sleeve	HDC-HB-24-TOVU1/29	1661380000	2

TOVU = Plug hood; Top cable entry, side locking lower side
TSVU = Plug hood; Side cable entry, side locking lower side

Plug hood HBD-64

Side locking lower side / high version

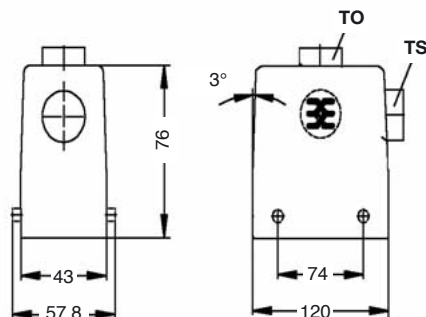


TOVU



TSVU

Dimensions



Version	Type	Cat. No.	Qty.
Standard housings, metric thread			
1 x M 25 thread	HDC HBD64 TSVU 1xM25G	1786780000	2
1 x M 32 thread	HDC HBD64 TSVU 1xM32G	1786770000	2
1 x M 25 thread	HDC HBD64 TOVU 1xM25G	1786840000	2
1 x M 32 thread	HDC HBD64 TOVU 1xM32G	1786830000	2
Standard housings, PG thread			
1 x Pg21 complete	HDC-HBD-64-TSVU1/21P	1661290000	2
1 x Pg21 sleeve	HDC-HBD-64-TSVU1/21	1661300000	2
1 x Pg29 complete	HDC-HBD-64-TSVU1/29P	1661310000	2
1 x Pg29 sleeve	HDC-HBD-64-TSVU1/29	1661320000	2
1 x Pg21 complete	HDC-HBD-64-TOVU1/21P	1661430000	2
1 x Pg21 sleeve	HDC-HBD-64-TOVU1/21	1661440000	2
1 x Pg29 complete	HDC-HBD-64-TOVU1/29P	1661450000	2
1 x Pg29 sleeve	HDC-HBD-64-TOVU1/29	1661460000	2

TOVU = Plug hood; Top cable entry, side locking lower side
TSVU = Plug hood; Side cable entry, side locking lower side

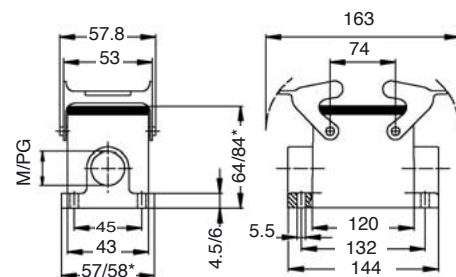
Base housing HB-24 / HBD-64

Side locking



SVU

Dimensions



*HB/HBD

Version	Type	Cat. No.	Qty.
Standard housings, metric thread			
2 x M 25 thread	HDC HB24 SVU 2xM25G	1787870000	2
2 x M 25 thread	HDC HBD64 SVU 2xM25G	1786890000	2
2 x M 32 thread	HDC HBD64 SVU 2xM32G	1786880000	2
Standard housings, PG thread			
1 x Pg21 complete	HDC-HB-24-SVU1/21P	1212500000	2
1 x Pg21 sleeve	HDC-HB-24-SVU1/21	1661510000	2
2 x Pg21 complete	HDC-HB-24-SVU2/21P	1212600000	2
2 x Pg21 sleeve	HDC-HB-24-SVU2/21	1661520000	2
1 x Pg21 complete	HDC-HBD-64-SVU1/21P	1661560000	2
1 x Pg21 sleeve	HDC-HBD-64-SVU1/21	1661570000	2
1 x Pg29 complete	HDC-HBD-64-SVU1/29P	1661600000	2
1 x Pg29 sleeve	HDC-HBD-64-SVU1/29	1661610000	2
2 x Pg21 complete	HDC-HBD-64-SVU2/21P	1661580000	2
2 x Pg21 sleeve	HDC-HBD-64-SVU2/21	1661590000	2
2 x Pg29 complete	HDC-HBD-64-SVU2/29P	1661620000	2
2 x Pg29 sleeve	HDC-HBD-64-SVU2/29	1661630000	2

SVU = Base housing, side locking

For accessories see section "Accessories"

Housings Group Size 8

Coupling hood HB-24 / HBD-64

Side locking

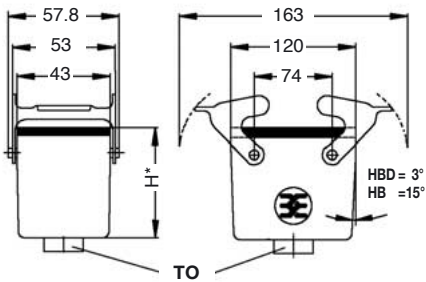


KVV



KVD

Dimensions



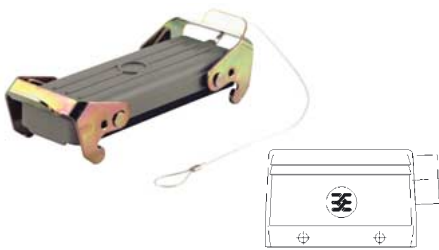
*HB = 63.8
HBD = 78.8

Version	Type	Cat. No.	Qty.
Standard housings, metric thread			
1 x M 25 thread	HDC HB24 KVV 1xM25G	1787920000	2
1 x M 32 thread	HDC HB24 KVV 1xM32G	1787910000	2
1 x M 25 thread	HDC HBD64 KVV 1xM25G	1786970000	2
1 x M 32 thread	HDC HBD64 KVV 1xM32G	1786960000	2
Standard housings, PG thread			
1 x Pg21 complete	HDC-HB-24-KVV1/21P	1212700000	2
1 x Pg21 sleeve	HDC-HB-24-KVV1/21	1661720000	2
1 x Pg29 complete	HDC-HB-24-KVV1/29P	1212800000	2
1 x Pg29 sleeve	HDC-HB-24-KVV1/29	1661730000	2
1 x Pg21 complete	HDC-HBD-64-KVV1/21P	1661780000	2
1 x Pg29 complete	HDC-HBD-64-KVV1/29P	1661800000	2

KVV = Coupling hood, side locking

Cover for Plug hood

Cover with cord



Type	Cat. No.	Qty.
Plastic cover		
HDC-HB-24-DT	1665640000	2

For accessories see section "Accessories"

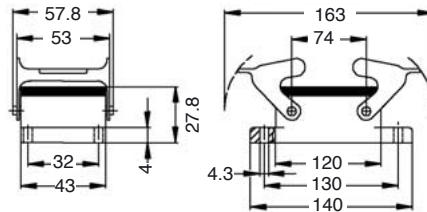
Bulkhead housing HB-24

Side locking



AVU

Dimensions

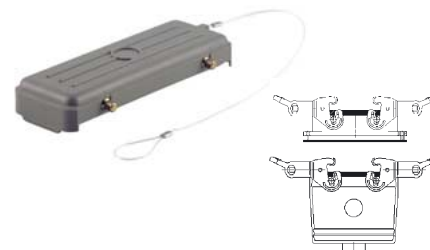


Version	Type	Cat. No.	Qty.
Standard housings			
	HDC-HB-24-AVU	1212400000	2

AVU = Bulkhead housing, side locking

Cover for lower side with side locking

Cover with cord



Type	Cat. No.	Qty.
Plastic cover		
HDC-HB-24-DB	1665630000	2

Housings Group Size 8

Plug hood HB-24 / HBD-64

Side locking upper side

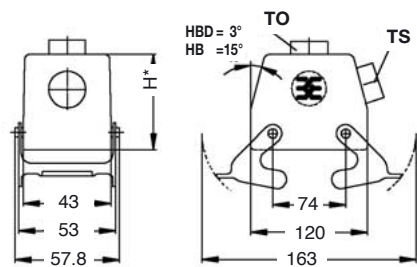


TOVO



TSVO

Dimensions



*HB = 61
HBD = 76

Version	Type	Cat. No.	Qty.
Standard housings, metric thread			
1 x M 25 sleeve	HDC HB24 TSVO 1xM25	1787780000	2
1 x M 32 sleeve	HDC HB24 TSVO 1xM32	1787770000	2
1 x M 25 thread	HDC HB24 TOVO 1xM25G	1787840000	2
1 x M 32 thread	HDC HB24 TOVO 1xM32G	1787830000	2
1 x M 25 thread	HDC HBD64 TOVO 1xM25G	1786850000	2
1 x M 32 thread	HDC HBD64 TOVO 1xM32G	1804670000	2
1 x M 25 thread	HDC HBD64 TSVO 1xM25G	1786800000	2
1 x M 32 thread	HDC HBD64 TSVO 1xM32G	1786790000	2
Standard housings, PG thread			
1 x Pg21 complete	HDC-HB-24-TSVO1/21P	1213100000	2
1 x Pg21 sleeve	HDC-HB-24-TSVO1/21	1661860000	2
1 x Pg29 complete	HDC-HB-24-TSVO1/29P	1661870000	2
1 x Pg29 sleeve	HDC-HB-24-TSVO1/29	1661880000	2
1 x Pg21 complete	HDC-HB-24-TOVO1/21P	1212900000	2
1 x Pg21 sleeve	HDC-HB-24-TOVO1/21	1662010000	2
1 x Pg29 complete	HDC-HB-24-TOVO1/29P	1213000000	2
1 x Pg29 sleeve	HDC-HB-24-TOVO1/29	1662020000	2
1 x Pg21 complete	HDC-HBD-64-TOVO1/21P	1662070000	2
1 x Pg21 sleeve	HDC-HBD-64-TOVO1/21	1662080000	2
1 x Pg29 complete	HDC-HBD-64-TOVO1/29P	1662090000	2
1 x Pg29 sleeve	HDC-HBD-64-TOVO1/29	1662100000	2
1 x Pg21 complete	HDC-HBD-64-TSVO1/21P	1661930000	2
1 x Pg21 sleeve	HDC-HBD-64-TSVO1/21	1661940000	2
1 x Pg29 complete	HDC-HBD-64-TSVO1/29P	1661950000	2
1 x Pg29 sleeve	HDC-HBD-64-TSVO1/29	1661960000	2

TOVO = Plug hood; Top cable entry, side locking
TSVO = Plug hood; Side cable entry, side locking

Base housing HB-24 / HBD-64

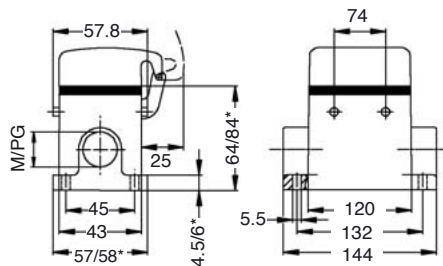
Side locking upper side

Group size 8



SDVO

Dimensions



*HB/HBD

Version	Type	Cat. No.	Qty.
Standard housings with cover, metric thread			
2 x M 25 thread	HDC HB24 SDVO 2xM25G	1787890000	2
2 x M 25 thread	HDC HBD64 SDVO 2xM25G	1786930000	2
2 x M 32 thread	HDC HBD64 SDVO 2xM32G	1786920000	2
Standard housings with cover, metric thread			
1 x Pg21 complete	HDC-HB-24-SDVO1/21P	1213400000	2
1 x Pg21 sleeve	HDC-HB-24-SDVO1/21	1662170000	2
2 x Pg21 complete	HDC-HB-24-SDVO2/21P	1213500000	2
2 x Pg21 sleeve	HDC-HB-24-SDVO2/21	1662180000	2
1 x Pg29 complete	HDC-HBD-64-SDVO1/29P	1662270000	2
1 x Pg29 sleeve	HDC-HBD-64-SDVO1/29	1662280000	2
2 x Pg21 complete	HDC-HBD-64-SDVO2/21P	1662250000	2

SDVO = Base housing with cover, side locking upper side

Bulkhead housing HB-24

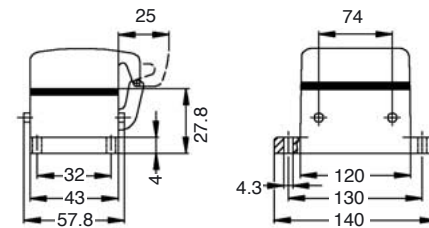
Side locking upper side

Group size 8



ADVO

Dimensions



Version	Type	Cat. No.	Qty.
Standard housings with cover			
	HDC-HB-24-ADVO	1213300000	2
ADVO = Bulkhead housing with cover, side locking upper side			
Cover for plug hood with side locking			
Cover with cord			
Type	Cat. No.	Qty.	
Plastic cover			
HDC-HB-24-DBP	1665650000	2	

ADVO = Bulkhead housing with cover, side locking upper side

ADVO = Bulkhead housing with cover, side locking upper side

ADVO = Bulkhead housing with cover, side locking upper side

For accessories see section "Accessories"

Housings Group Size 8

Plug hood HB-24

End locking lower side

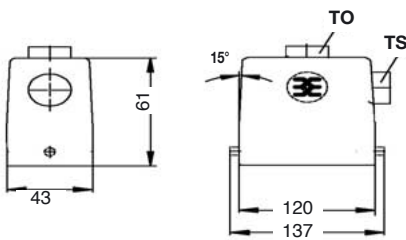


TOVL



TSVL

Dimensions



Version	Type	Cat. No.	Qty.
Standard housings, metric thread			
1 x M 25 sleeve	HDC HB24 TSVL 1xM25	1787800000	2
1 x M 32 sleeve	HDC HB24 TSVL 1xM32	1787790000	2
1 x M 25 thread	HDC HB24 TOVL 1xM25G	1787860000	2
1 x M 32 thread	HDC HB24 TOVL 1xM32G	1787850000	2
Standard housings, PG thread			
1 x Pg21 complete	HDC-HB-24-TSVL1/21P	1213800000	2
1 x Pg21 sleeve	HDC-HB-24-TSVL1/21	1662390000	2
1 x Pg29 complete	HDC-HB-24-TSVL1/29P	1662400000	2
1 x Pg29 sleeve	HDC-HB-24-TSVL1/29	1662410000	2
1 x Pg21 complete	HDC-HB-24-TOVL1/21P	1213600000	2
1 x Pg21 sleeve	HDC-HB-24-TOVL1/21	1662540000	2
1 x Pg29 complete	HDC-HB-24-TOVL1/29P	1213700000	2
1 x Pg29 sleeve	HDC-HB-24-TOVL1/29	1662550000	2

TOVL Plug hood; Top cable entry, end locking lower side

TSVL = Plug hood; Side cable entry, end locking lower side

For accessories see section "Accessories"

Plug hood HBD-64

End locking lower side / high version

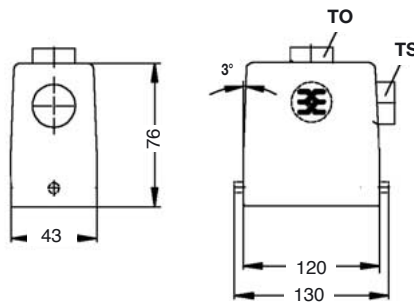


TOVL



TSVL

Dimensions



Version	Type	Cat. No.	Qty.
Standard housings, metric thread			
1 x M 25 thread	HDC HBD64 TSVL 1xM25G	1786820000	2
1 x M 32 thread	HDC HBD64 TSVL 1xM32G	1786810000	2
1 x M 25 thread	HDC HBD64 TOVL 1xM25G	1786870000	2
1 x M 32 thread	HDC HBD64 TOVL 1xM32G	1786860000	2
Standard housings, PG thread			
1 x Pg21 complete	HDC-HBD-64-TSVL1/21P	1662460000	2
1 x Pg21 sleeve	HDC-HBD-64-TSVL1/21	1662470000	2
1 x Pg29 complete	HDC-HBD-64-TSVL1/29P	1662480000	2
1 x Pg29 sleeve	HDC-HBD-64-TSVL1/29	1662490000	2
1 x Pg29 complete	HDC-HBD-64-TOVL1/29P	1662620000	2
1 x Pg29 sleeve	HDC-HBD-64-TOVL1/29	1662630000	2

TOVL Plug hood; Top cable entry, end locking lower side

TSVL = Plug hood; Side cable entry, end locking lower side

Base housing HB-24 / HBD-64

End locking / with/without cover

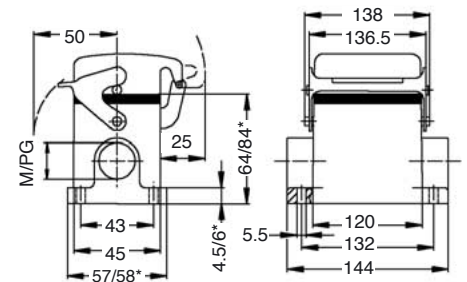


SVL



SDVL

Dimensions



*HB/HBD

Version	Type	Cat. No.	Qty.
Standard housings, metric thread			
2 x M 25 thread	HDC HB24 SVL 2xM25G	1787880000	2
2 x M 25 thread	HDC HBD64 SVL 2xM25G	1786910000	2
2 x M 32 thread	HDC HBD64 SVL 2xM32G	1786900000	2
2 x M 25 thread	HDC HBD64 SDVL 2xM25G	1786950000	2
2 x M 32 thread	HDC HBD64 SDVL 2xM32G	1786940000	2
Standard housings with cover, metric thread			
2 x M 25 thread	HDC HB24 SDVL 2xM25G	1787900000	2
Standard housings, PG thread			
1 x Pg21 complete	HDC-HB-24-SVL1/21P	1214000000	2
1 x Pg21 sleeve	HDC-HB-24-SVL1/21	1662710000	2
2 x Pg21 complete	HDC-HB-24-SVL2/21P	1214100000	2
2 x Pg21 sleeve	HDC-HB-24-SVL2/21	1662720000	2
2 x Pg21 complete	HDC-HBD-64-SVL2/21P	1662780000	2
Standard housings with cover, PG thread			
1 x Pg21 complete	HDC-HB-24-SDVL1/21P	1214400000	2
1 x Pg21 sleeve	HDC-HB-24-SDVL1/21	1662920000	2
2 x Pg21 complete	HDC-HB-24-SDVL2/21P	1214500000	2
2 x Pg29 sleeve	HDC-HBD-64-SDVL2/29	1663040000	2
1 x Pg21 complete	HDC-HBD-64-SDVL1/21P	1662970000	2
1 x Pg29 complete	HDC-HBD-64-SDVL1/29P	1663010000	2

SVL = Base housing, end locking

SDVL = Base housing with cover, end locking

Housings Group Size 8

Coupling hood HB-24 / HBD-64

End locking



KVL

Bulkhead housing HB-24

End locking, with/without cover

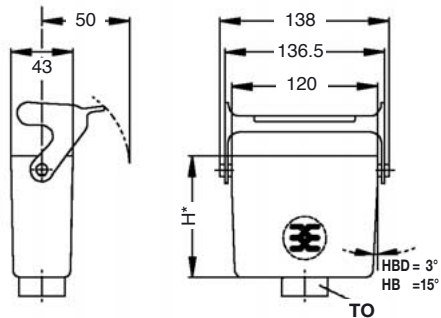


AVL



ADVL

Dimensions

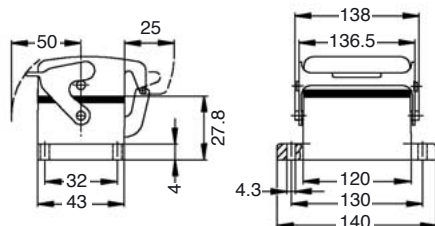


*HB = 63.8
HBD = 78.8

Version	Type	Cat. No.	Qty.
Standard housings, metric thread			
1 x M 25 thread	HDC HB24 KVL 1xM25G	1787940000	2
1 x M 32 thread	HDC HB24 KVL 1xM32G	1787930000	2
1 x M 25 thread	HDC HBD64 KVL 1xM25G	1786990000	2
1 x M 32 thread	HDC HBD64 KVL 1xM32G	1786980000	2
Standard housings, PG thread			
1 x Pg21 complete	HDC-HB-24-KVL1/21P	1663130000	2
1 x Pg29 complete	HDC-HB-24-KVL1/29P	1214200000	2
1 x Pg29 complete	HDC-HBD-64-KVL1/29P	1663220000	2

KVL = Coupling hood, end locking

Dimensions



Version	Type	Cat. No.	Qty.
Standard housings			
	HDC-HB-24-AVL	1213900000	2
Standard housings with cover			
	HDC-HB-24-ADVL	1214300000	2

AVL = Bulkhead housing, end locking

ADVL = Bulkhead housing with cover, end locking

For accessories see section "Accessories"

Housings Group Size 8

Plug hood HBD-64

Centre locking



TSVZ

Base housing HB-24

Centre locking upper side



SVZ

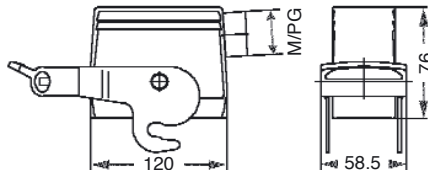
Bulkhead housing HB-24

Centre locking

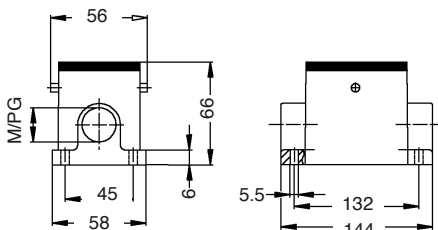


AVZ

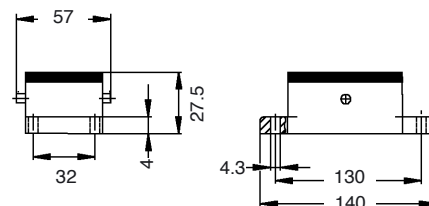
Dimensions



Dimensions



Dimensions



Version	Type	Cat. No.	Qty.
Standard housings, metric thread			
1 x Pg21	complete HDC-HBD-64-TSVZ1/21P	1663360000	2
1 x Pg29	complete HDC-HBD-64-TSVZ1/29P	1603510000	2
1 x Pg29	sleeve HDC-HBD-64-TSVZ1/29	1663390000	2

Version	Type	Cat. No.	Qty.
Standard housings, PG thread			
1 x Pg21	complete HDC-HB-24-SVZ1/21P	1600620000	2

Version	Type	Cat. No.	Qty.
Standard housings			
	HDC-HB-24-AVZ	1611350000	2

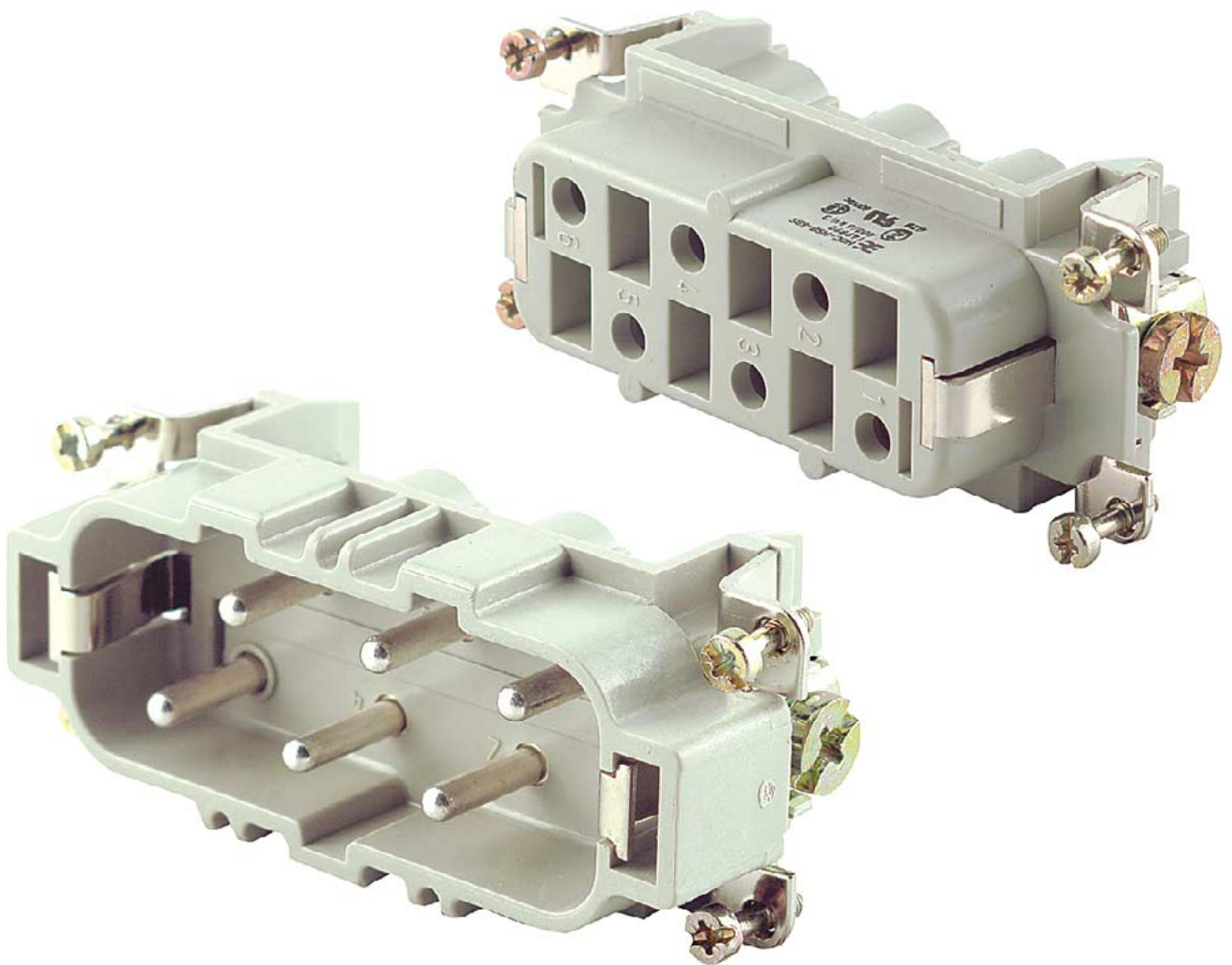
TSVZ = Plug hood; Side cable entry, centre locking

SVZ = Base housing, centre locking

AVZ = Bulkhead housing, centre locking

For accessories see section "Accessories"

Series HSB



Series HSB

Series HSB 6- and 12-pole screw connections

- Screw connection
- Pole numbers: 6, 12

Note:

12-pole connectors are composed of two
6-pole inserts numbered 1-6 and 7-12.

Technical Data Series HSB

Technical data

Series HSB

Standards	DIN VDE 0627 DIN VDE 0110
-----------	------------------------------

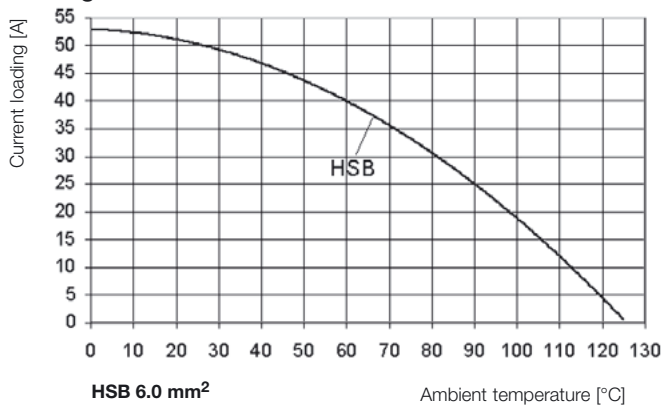
Approvals

Inserts	
No. of poles	6-12- (+ PE)
Rated current	35 A max.
Rated voltage (VDE 110/2.89 Gr. 3)	400 V
Test voltage	6 kV
Pollution	3
Contact resistance	10 ¹⁶ Ohmcm
Material	Thermoplastic, glass fibre reinforced (UL listed)
Temperature range	-40° + 125° C
Flammability class i.a.w. UL 94	V-0
Mechanical durability	
- Insertion frequency Ag	≤ 100
Rated voltage	
- to UL / CSA	600 V
Connection method:	
- HSB inserts	Screw

Contacts	
Material	Copper alloy
Plating	
- silver plated	3 µm Ag
Trough resistance	
- HSB - inserts	< 2 mOhm
Clamping range	
- mm ²	0.5 - 6.0
- AWG	20 ... 10
Torque	0.5 Nm
Insulation stripping length	11.0 mm

Hoods and housing	
Material	Aluminium pressure die cast AL-Si 12
Surface	Powder coating grey
Locking	
- Standard	Steel, zinc plated
Gasket	NBR
Temperature range	-40° + 125° C
Protection class according to DIN	
- with housing when mated	IP 65

Derating curve

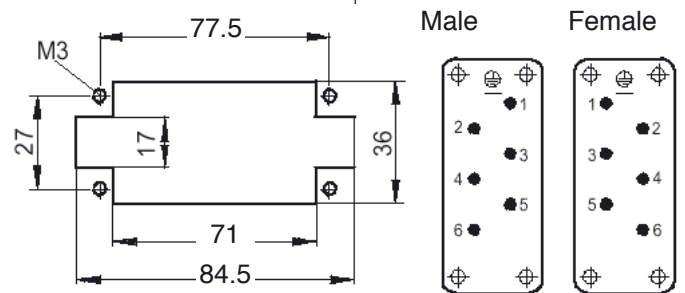
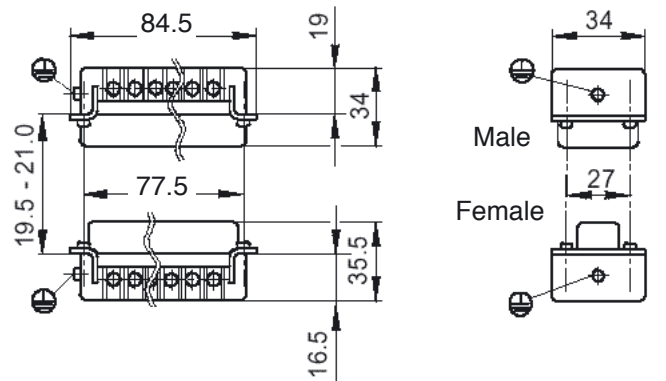
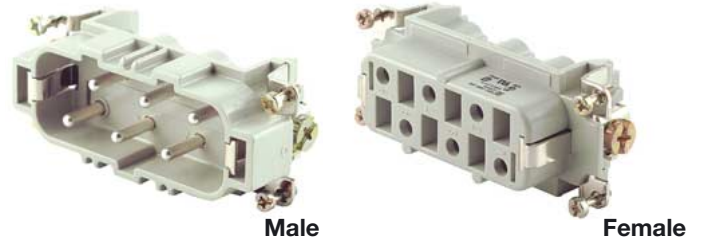


Inserts Group Size 6

Screw connection series HSB-6

6-pole

400 V-/max 35 A



View from cable side

Version	Type	Cat. No.	Qty.
Male	HDC-HSB-6SS	1498700000	2
Female	HDC-HSB-6BS	1498900000	2

For accessories see section "Accessories"

Housing Group Size 6

Plug hood HB-16 / HBD-40

Side locking lower side

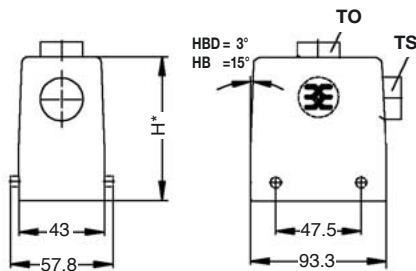


TSVU



TOVU

Dimensions



*HB = 61
HBD = 76

Version	Type	Cat. No.	Qty.
Standard housings, metric thread			
1 x M 25 sleeve	HDC HB16 TSVU 1xM25	1788180000	5
1 x M 25 thread	HDC HB16 TOVU 1xM25G	1788210000	5
1 x M 25 thread	HDC HBD40 TSVU 1xM25G	1787010000	5
1 x M 32 thread	HDC HBD40 TSVU 1xM32G	1787000000	5
1 x M 25 thread	HDC HBD40 TOVU 1xM25G	1787070000	5
1 x M 32 thread	HDC HBD40 TOVU 1xM32G	1787060000	5
Standard housings, PG thread			
1 x Pg21 complete	HDC-HB-16-TSVU1/21P	1208400000	5
1 x Pg21 sleeve	HDC-HB-16-TSVU1/21	1656480000	5
1 x Pg21 complete	HDC-HB-16-TOVU1/21P	1208300000	5
1 x Pg21 sleeve	HDC-HB-16-TOVU1/21	1656590000	5
1 x Pg21 complete	HDC-HBD-40-TSVU1/21P	1656510000	5
1 x Pg21 sleeve	HDC-HBD-40-TSVU1/21	1656520000	5
1 x Pg29 complete	HDC-HBD-40-TSVU1/29P	1656530000	5
1 x Pg29 sleeve	HDC-HBD-40-TSVU1/29	1656540000	5
1 x Pg21 complete	HDC-HBD-40-TOVU1/21P	1656620000	5
1 x Pg21 sleeve	HDC-HBD-40-TOVU1/21	1656630000	5
1 x Pg29 complete	HDC-HBD-40-TOVU1/29P	1656640000	5
1 x Pg29 sleeve	HDC-HBD-40-TOVU1/29	1656650000	5

TOVU = Plug hood; Top cable entry, side locking lower side

TSVU = Plug hood; Side cable entry, side locking lower side

For accessories see section "Accessories"

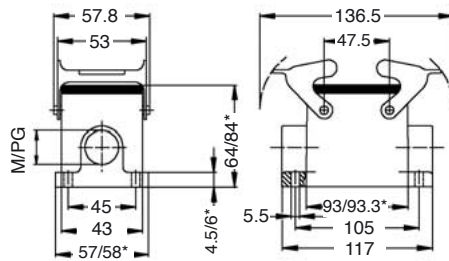
Base housing HB-16 / HBD-40

Side locking



SVU

Dimensions



*HB/HBD

Version	Type	Cat. No.	Qty.
Standard housings, metric thread			
1 x M 25 thread	HDC HB16 SVU 2xM25G	1788240000	2
2 x M 25 thread	HDC HBD40 SVU 2xM25G	1787120000	2
2 x M 32 thread	HDC HBD40 SVU 2xM32G	1787110000	2
Standard housings, PG thread			
1 x Pg21 complete	HDC-HB-16-SVU1/21P	1208700000	2
1 x Pg21 sleeve	HDC-HB-16-SVU1/21	1656720000	2
2 x Pg21 complete	HDC-HB-16-SVU2/21P	1208800000	2
2 x Pg21 sleeve	HDC-HB-16-SVU2/21	1656730000	2
1 x Pg21 sleeve	HDC-HBD-40-SVU1/21	1656790000	2
1 x Pg29 complete	HDC-HBD-40-SVU1/29P	1656820000	2
2 x Pg21 complete	HDC-HBD-40-SVU2/21P	1656800000	2
2 x Pg21 sleeve	HDC-HBD-40-SVU2/21	1656810000	2
2 x Pg29 complete	HDC-HBD-40-SVU2/29P	1656840000	2

SVU = Base housing, side locking lower side

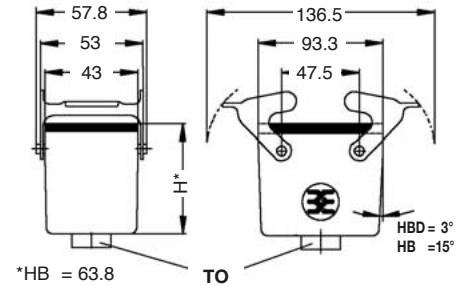
Coupling hood HB-16 / HBD-40

Side locking



KVVU

Dimensions



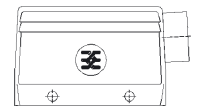
*HB = 63.8
HBD = 78.8

Version	Type	Cat. No.	Qty.
Standard housings, metric thread			
1 x M 25 thread	HDC HBD40 KVVU 1xM25G	1787200000	2
1 x M 32 thread	HDC HBD40 KVVU 1xM32G	1787190000	2
1 x M 25 thread	HDC HB16 KVVU 1xM25G	1788280000	2
Standard housings, PG thread			
1 x Pg21 complete	HDC-HB-16-KVVU1/21P	1208900000	2
1 x Pg21 sleeve	HDC-HB-16-KVVU1/21	1657270000	2
1 x Pg21 complete	HDC-HBD-40-KVVU1/21P	1657300000	2
1 x Pg21 sleeve	HDC-HBD-40-KVVU1/21	1657310000	2
1 x Pg29 complete	HDC-HBD-40-KVVU1/29P	1657320000	2

KVVU = Coupling hood, side locking

Cover for plug hood

Cover with cord



Type	Cat. No.	Qty.
Plastic cover		
HDC-HB-16-DT	1665270000	2

Housing Group Size 6

Bulkhead housing HB-16

Side locking



AVU

Plug hood HB-16 / HBD-40

Side locking



TSVO



TOVO

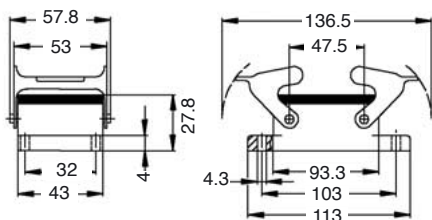
Base housing HB-16 / HBD-40

Side locking upper side

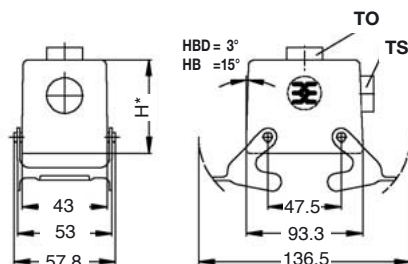


SDVO

Dimensions

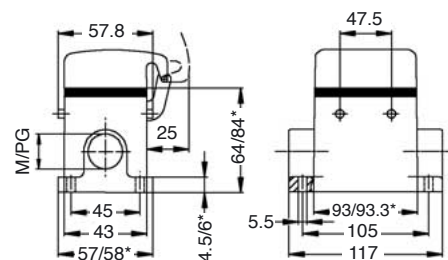


Dimensions



*HB = 61
HBD = 76

Dimensions



Version	Type	Cat. No.	Qty.
Standard housings			
	HDC-HB-16-AVU	1208600000	5

AVU = Bulkhead housing, side locking

Version	Type	Cat. No.	Qty.
Standard housings, metric thread			
1 x M 25 sleeve	HDC HB16 TSVO 1xM25	1788190000	2
1 x M 25 thread	HDC HB16 TOVO 1xM25G	1788220000	2
1 x M 25 thread	HDC HBD40 TSVO 1xM25G	1787030000	2
1 x M 32 thread	HDC HBD40 TSVO 1xM32G	1787020000	2
1 x M 25 thread	HDC HBD40 TOVO 1xM25G	1787090000	2
1 x M 32 thread	HDC HBD40 TOVO 1xM32G	1787080000	2

Standard housings, PG thread

1 x Pg21 complete	HDC-HB-16-TSVO1/21P	1209100000	2
1 x Pg21 sleeve	HDC-HB-16-TSVO1/21	1657380000	2
1 x Pg21 complete	HDC-HB-16-TOVO1/21P	1209000000	2
1 x Pg21 sleeve	HDC-HB-16-TOVO1/21	1657490000	2
1 x Pg21 complete	HDC-HBD-40-TSVO1/21P	1657410000	2
1 x Pg21 sleeve	HDC-HBD-40-TSVO1/21	1657420000	2
1 x Pg29 complete	HDC-HBD-40-TSVO1/29P	1657430000	2
1 x Pg21 complete	HDC-HBD-40-TOVO1/21P	1657520000	2
1 x Pg29 complete	HDC-HBD-40-TOVO1/29P	1657540000	2
1 x Pg29 sleeve	HDC-HBD-40-TOVO1/29	1657550000	2

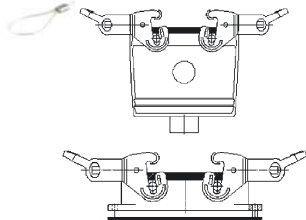
Version	Type	Cat. No.	Qty.
Standard housings with cover, metric thread			
2 x M 25 thread	HDC HB16 SDVO 2xM25G	1788260000	2
2 x M 25 thread	HDC HBD40 SDVO 2xM25G	1787160000	2
2 x M 32 thread	HDC HBD40 SDVO 2xM32G	1787150000	2

Standard housings with cover, PG thread

1 x Pg21 complete	HDC-HB-16-SDVO1/21P	1209300000	2
2 x Pg21 complete	HDC-HB-16-SDVO2/21P	1209400000	2
2 x Pg21 sleeve	HDC-HB-16-SDVO2/21	1657640000	2
1 x Pg21 complete	HDC-HBD-40-SDVO1/21P	1657690000	2
1 x Pg21 sleeve	HDC-HBD-40-SDVO1/21	1657700000	2
2 x Pg21 complete	HDC-HBD-40-SDVO2/21P	1657710000	2

Cover for lower side with side locking

Cover with cord



Type	Cat. No.	Qty.
Plastic cover		
HDC-HB-16-DB	1665260000	2

TSVO = Plug hood; Side cable entry, side locking

TOVO = Plug hood; Top cable entry, side locking

SDVO = Base housing with cover, side locking upper side

For accessories see section "Accessories"

Housing Group Size 6

Bulkhead housing HB-16

Side locking upper side



ADVO

Plug hood HB-16 / HBD-40

End locking lower side / high version



TOVL

Base housing HB-16 / HBD-40

End locking with/without cover



SVL

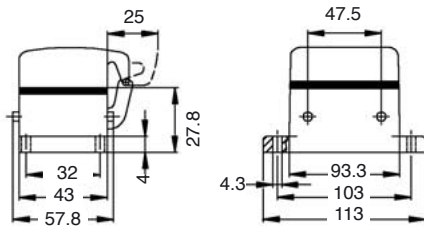


TSVL

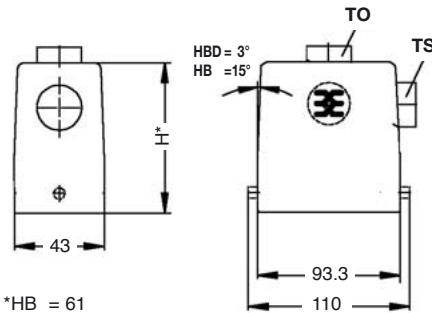


SDVL

Dimensions

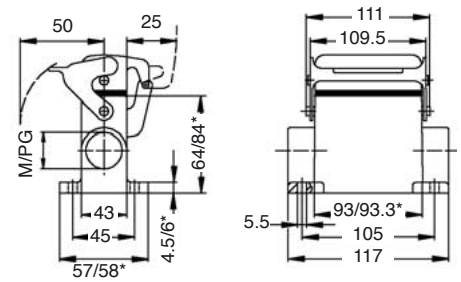


Dimensions



*HB = 61
HBD = 76

Dimensions



*HB/HBD

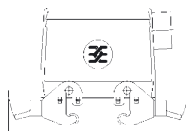
Version	Type	Cat. No.	Qty.
Standard housings			
	HDC-HB-16-ADVO	1209200000	2
ADVL = Bulkhead housing with cover, side locking			

Version	Type	Cat. No.	Qty.
Standard housings, metric thread			
1 x M 25 sleeve	HDC HB16 TSVL 1xM25	1788200000	5
1 x M 25 thread	HDC HB16 TOVL 1xM25G	1788230000	5
1 x M 32 thread	HDC HB16 TSVL 1xM32G	1804640000	5
1 x M 32 thread	HDC HB16 TOVL 1xM32G	1804630000	5
1 x M 25 thread	HDC HBD40 TSVL 1xM25G	1787050000	5
1 x M 32 thread	HDC HBD40 TSVL 1xM32G	1787040000	5
1 x M 32 thread	HDC HBD40 TOVL 1xM32G	1787100000	5

Version	Type	Cat. No.	Qty.
Standard housings, metric thread			
2 x M 25 thread	HDC HB16 SVL 2xM25G	1788250000	2
2 x M 25 thread	HDC HBD40 SVL 2xM25G	1787140000	2
2 x M 32 thread	HDC HBD40 SVL 1xM32G	1804660000	2
2 x M 32 thread	HDC HBD40 SVL 2xM32G	1787130000	2
2 x M 25 thread	HDC HB16 SDVL 2xM25G	1788270000	2
2 x M 25 thread	HDC HBD40 SDVL 2xM25G	1787180000	2
2 x M 32 thread	HDC HBD40 SDVL 2xM32G	1787170000	2

Cover for plug hood with side locking

Cover with cord



Type	Cat. No.	Qty.
Plastic cover		
HDC-HB-16-DBP	1665620000	5

TSVL = Plug hood; Side cable entry, end locking lower side
TOVL = Plug hood; Top cable entry, end locking lower side

SVL = Base housing, end locking
SDVL = Base housing with cover, end locking

For accessories see section "Accessories"

Housing Group Size 6

Coupling hood HB-16 / HBD-40

End locking



KVL

Bulkhead housing HB-16

End locking

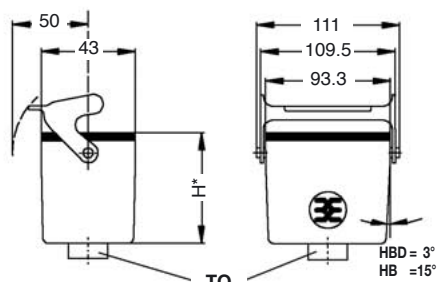


AVL



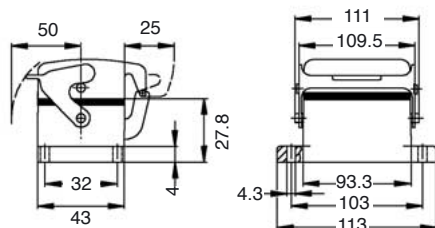
ADVL

Dimensions



*HB = 63.5
HBD = 78.5

Dimensions



Version	Type	Cat. No.	Qty.
Standard housings, metric thread			
1 x M 25 thread	HDC HB16 KVL 1xM25G	1788290000	2
1 x M 25 thread	HDC HBD40 KVL 1xM25G	1787220000	2
1 x M 32 thread	HDC HBD40 KVL 1xM32G	1787210000	2
Standard housings, PG thread			
1 x Pg21 complete	HDC-HB-16-KVL1/21P	1210000000	2
1 x Pg29 complete	HDC-HBD-40-KVL1/29P	1658580000	2

Version	Type	Cat. No.	Qty.
Standard housings			
	HDC-HB-16-AVL	1209700000	5
Standard housings with cover			
	HDC-HB-16-ADVL	1210100000	2
AVL = Bulkhead housing, end locking			
ADVL = Bulkhead housing with cover, end locking			

KVL = Coupling hood, end locking

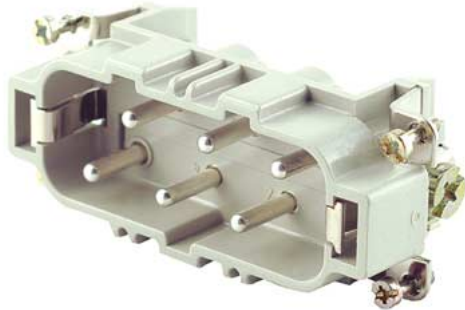
For accessories see section "Accessories"

Inserts Group Size 10

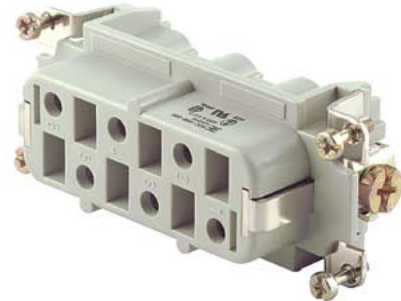
Screw connection series HSB-12

12-pole

400 V-/max 35 A

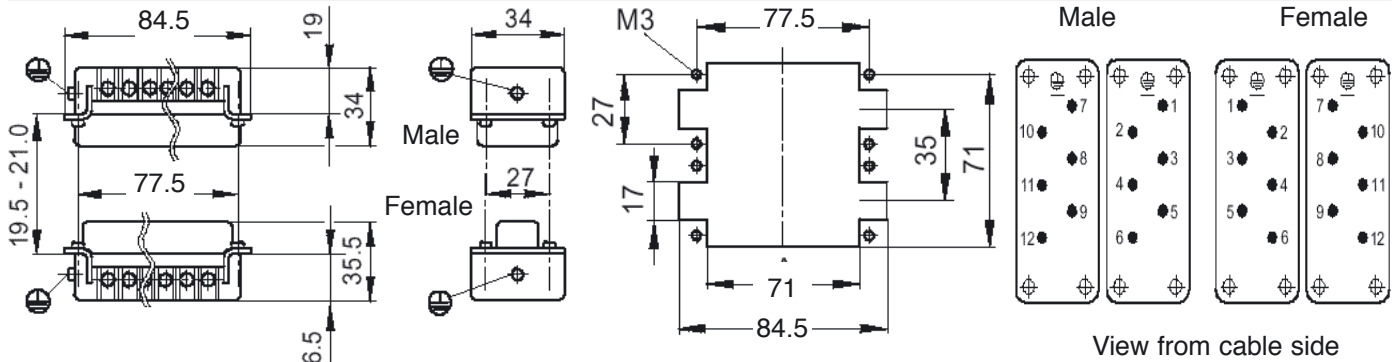


Male



Female

Dimensions



Version	Type	Cat. No.	Qty.
Male	HDC-HSB-6SS	1498700000	2
Male	HDC-HSB-6SS 7-12	1498800000	2

Version	Type	Cat. No.	Qty.
Female	HDC-HSB-6BS	1498900000	2
Female	HDC-HSB-6BS 7-12	1499000000	2

For accessories see section "Accessories"

Housing Group Size 10

Plug hood HB-32

End locking lower side



TOVL

Base housing HB-32

End locking with/without cover



SVL

Coupling hood HB-32

End locking / with cover

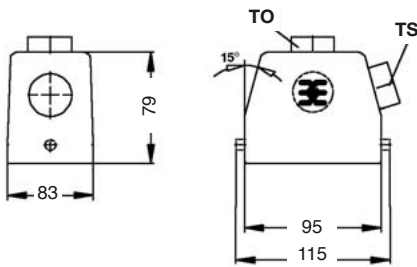


KDVL

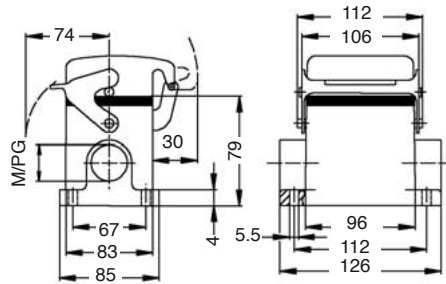


SDVL

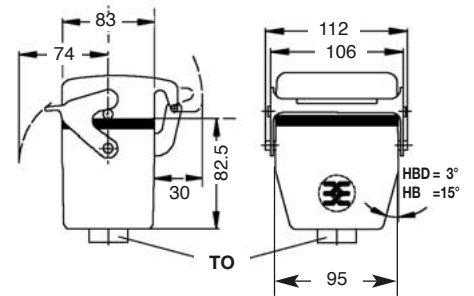
Dimensions



Dimensions



Dimensions



Version	Type	Cat. No.	Qty.
Standard housings, metric thread			
1 x M 32 thread	HDC HB32 TSVL 1xM32G	1788420000	1
1 x M 32 thread	HDC HB32 TOVL 1xM32G	1788450000	1
Standard housings, PG thread			
1 x Pg29 complete	HDC-HB-32-TSVL1/29P	1219300000	1
1 x Pg29 sleeve	HDC-HB-32-TSVL1/29	1667120000	1
1 x Pg29 complete	HDC-HB-32-TOVL1/29P	1219200000	1

Version	Type	Cat. No.	Qty.
Standard housings, metric thread			
2 x M 32 thread	HDC HB32 SVL 2xM32G	1788470000	1
Standard housings with cover, metric thread			
2 x M 32 thread	HDC HB32 SDVL 2xM32G	1788490000	1
Standard housings, PG thread			
1 x Pg29 complete	HDC-HB-32-SVL1/29P	1219600000	1
Standard housings with cover, PG thread			
1 x Pg29 complete	HDC-HB-32-SDVL1/29P	1219900000	1
2 x Pg29 complete	HDC-HB-32-SDVL2/29P	1220000000	1

Version	Type	Cat. No.	Qty.
Standard housings with cover, metric thread			
1 x M 32 thread	HDC HB32 KDVL 1xM32G	1788500000	1

TOVL = Plug hood; Top cable entry, end locking lower side
TSVL = Plug hood; Side cable entry, end locking lower side

SVL = Base housing, end locking
SDVL = Base housing with cover, end locking

KDVL = Coupling hood with cover, end locking

For accessories see section "Accessories"

Housing Group Size 10

Bulkhead housing HB-32

End locking

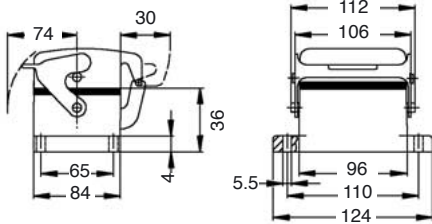


AVL



ADVL

Dimensions



Version	Type	Cat. No.	Qty.
Standard housings			
	HDC-HB-32-AVL	1219500000	1
Standard housings with cover			
	HDC-HB-32-ADVL	1219800000	1

AVL = Bulkhead housing, end locking
ADVL = Bulkhead housing with cover, end locking

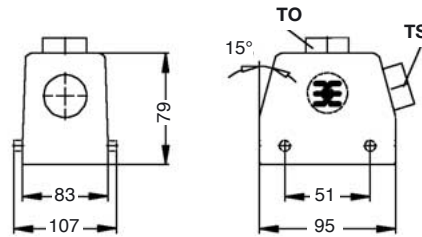
Plug hood HB-32

Side locking lower side



TSVU

Dimensions



Version	Type	Cat. No.	Qty.
Standard housings, metric thread			
1 x M 32 thread	HDC HB32 TSVU 1xM32G	1788400000	1
1 x M 32 thread	HDC HB32 TOVU 1xM32G	1788430000	1
Standard housings, PG thread			
1 x Pg29 complete	HDC-HB-32-TSVU1/29P	1217500000	1
1 x Pg29 sleeve	HDC-HB-32-TSVU1/29	1666840000	1
1 x Pg29 complete	HDC-HB-32-TOVU1/29P	1217300000	1
1 x Pg29 sleeve	HDC-HB-32-TOVU1/29	1666870000	1

TSVU = Plug hood; Side cable entry, side locking lower side
TOVU = Plug hood; Top cable entry, side locking lower side

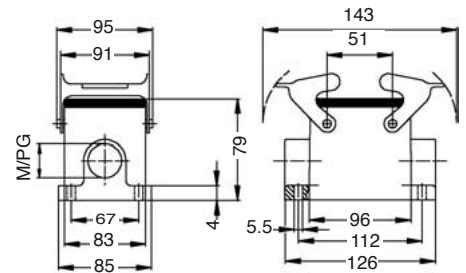
Base housing HB-32

Side locking lower side



SVU

Dimensions



Version	Type	Cat. No.	Qty.
Standard housings, metric thread			
2 x M 32 thread	HDC HB32 SVU 2xM32G	1788460000	1
Standard housings, PG thread			
1 x Pg29 complete	HDC-HB-32-SVU1/29P	1217900000	1
1 x Pg29 sleeve	HDC-HB-32-SVU1/29	1666910000	1
2 x Pg29 complete	HDC-HB-32-SVU2/29P	1218000000	1
2 x Pg29 sleeve	HDC-HB-32-SVU2/29	1666920000	1

SVU = Base housing, side locking

For accessories see section "Accessories"

Housing Group Size 10

Coupling hood HB-32

Side locking

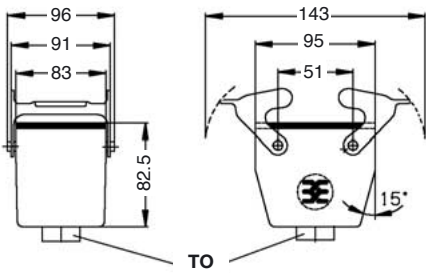


Bulkhead housing HB-32

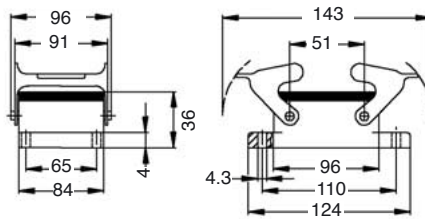
Side locking



Dimensions



Dimensions



Version	Type	Cat. No.	Qty.
Standard housings, PG thread			
1 x Pg29 complete	HDC-HB-32-KVU1/29P	1218100000	1

Version	Type	Cat. No.	Qty.
Standard housings			
	HDC-HB-32-AVU	1217800000	1

KVU = Coupling hood, side locking

AVU = Bulkhead housing, side locking

For accessories see section "Accessories"

Housing Group Size 10

Plug hood HB-32

Side locking

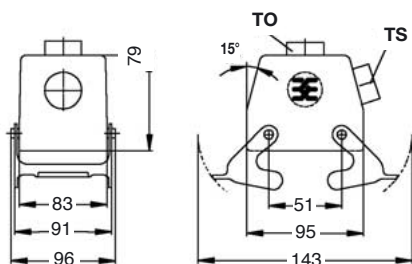


TOVO



TSVO

Dimensions



Version	Type	Cat. No.	Qty.
Standard housings, metric thread			
1 x M 32 thread	HDC HB32 TSVO 1xM32G	1788410000	1
1 x M 32 thread	HDC HB32 TOVO 1xM32G	1788440000	1
Standard housings, PG thread			
1 x Pg29 complete	HDC-HB-32-TSVO1/29P	1218500000	1
1 x Pg29 complete	HDC-HB-32-TOVO1/29P	1218300000	1

TOVO = Plug hood; Top cable entry, side locking
 TSVO = Plug hood; Side cable entry, side locking

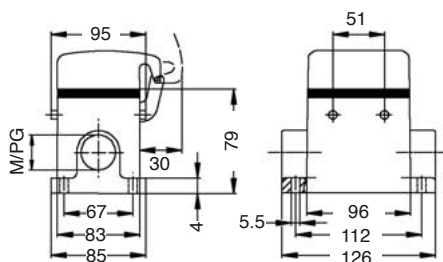
Base housing HB-32

Side locking upper side / with cover



SDVO

Dimensions



Version	Type	Cat. No.	Qty.
Standard housings with cover, metric thread			
2 x M 32 thread	HDC HB32 SDVO 2xM32G	1788480000	1
Standard housings with cover, PG thread			
1 x Pg29 complete	HDC-HB-32-SDVO1/29P	1218900000	1
2 x Pg29 complete	HDC-HB-32-SDVO2/29P	1219000000	1

SDVO = Base housing with cover, side locking upper side

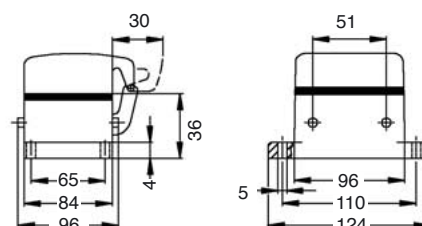
Bulkhead housing HB-32

Side locking upper side / with cover



ADVO

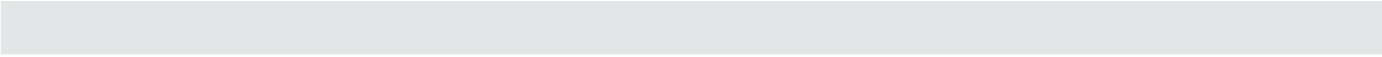
Dimensions



Version	Type	Cat. No.	Qty.
Standard housings with cover			
	HDC-HB-32-ADVO	1218800000	1

ADVO = Bulkhead housing with cover, side locking upper side

For accessories see section "Accessories"



Series DSTV-K - DSTV-HD



Series DSTV-K - DSTV-HD

Through-panel connector

DSTV-K

6- to 48-pole

screw connections

compatible with the HE-series

DSTV HD

16- to 64-pole

screw connections

Compatible with the HD-series

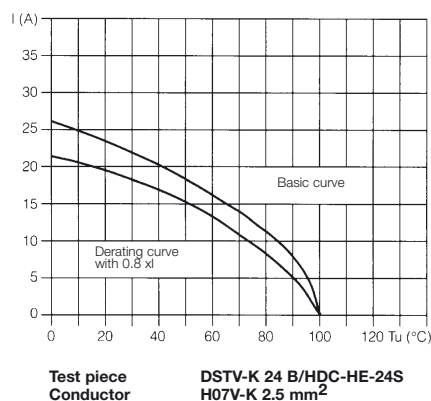
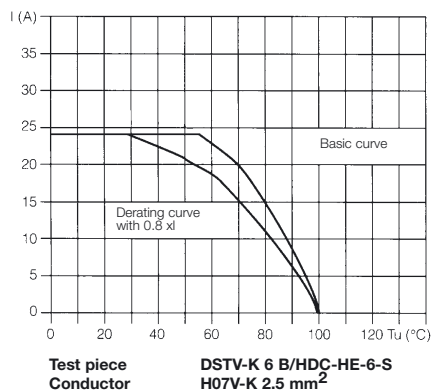
Technical Data DSTV-K

Technical data

Series DSTV-K/DSTV-K-R

Standards	DIN VDE 0627 DIN VDE 0110
Approvals	
Inserts	
No. of poles	6-,10-,16-,24-,32-,48 (+ PE)
Rated current	16 A max.
Rated voltage (VDE 110/2.79 Gr. C)	380 V ~ / 450 V -
Test voltage	2.5 kV
Insulation class	C
Contact resistance	10^{15} Ohmcm
Insulation resistance	10^{10} Ohm
Material	Thermoplastic glass-fibre reinforced (UL listed)
Temperature range	-40° ... + 125° C
Flammability class i.a.w. UL 94	V-2
Mechanical durability	
- Insertion frequency Ag	≤ 100
Rated voltage	
- to UL / CSA	600 V ~
Connection method:	
DSTV - K	Screw
Contacts	
Material	Copper alloy
Plating	
- silver plated	3 µm Ag
Through resistance	
- DSTV-K	< 2 mOhm
Clamping range	
- mm ²	0.5 - 2.5
- AWG	20 ... 14
Torque	0.4 Nm
Insulating stripping length	8.0 mm
Hoods and housing	
Material	Aluminium pressure die cast AL-Si 12
Surface	Powder coating grey
Locking	
- standard	Steel, zinc plated
Gasket	NBR
Temperature range	-40° ... + 125° C
Protection class according to DIN	
- with housing when mated	IP 65

Derating curves



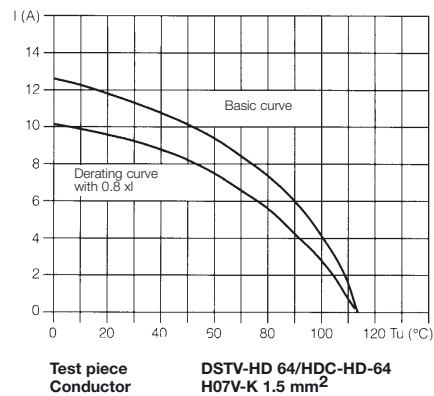
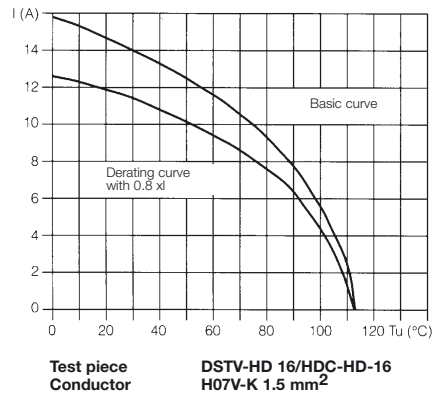
Technical Data DSTV-HD

Technical data

Series DSTV-HD/DSTV-HD-R

Standards	DIN VDE 0627 DIN VDE 0110
Approvals	
Inserts	
No. of poles	16-,24-,40-,64- (+ PE)
Rated current	10 A max.
Rated voltage (VDE 110/2.79 Gr. C)	250 V ~ / 300 V -
Test voltage	2.5 kV
Insulation class	C
Contact resistance	10^{16} Ohmcm
Insulation resistance	10^{13} Ohm
Material	Thermoplastic, glass fibre reinforced (UL listed)
Temperature range	-40° ... + 125° C
Flammability class i.a.w. UL 94	V-0
Mechanical durability	
- insertion frequency Ag	≤ 100
Rated voltage	
- to UL / CSA	600 V ~
Connection method:	
DSTV-HD	Screw
Contacts	
Material	Copper alloy
Plating	
- silver plated	3 μm Ag
Through resistance	
- DSTV-HD	< 2 mOhm
Clamping range	
- mm ²	0.5 - 1.5
- AWG	20 ... 16
Torque	0.4 Nm
Insulating stripping length	10.0 mm
Hoods and housing	
Material	Aluminium pressure die cast AL-Si 12
Plating	Powder coating grey
Locking	
- standard	Steel, zinc plated
Gasket	NBR
Temperature range	-40° ... + 125° C
Protection class according to DIN	
- with housing when mated	IP 65

Derating curves



Screw Connection Group Size 3

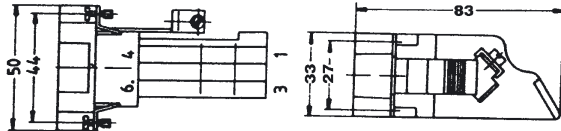
Screw connection DSTV-K-6

6-pole

380V~/450V~/max. 16 A



Dimensions



Version	Type	Cat. No.	Qty.
Male	DSTV-K-SL 6	1408900000	2
Female	DSTV-K-BR 6	1408500000	2
Female	DSTV-K-BL 6	1290100000	2

SR = Male, switchgear cabinet - right side
 SL = Male, switchgear cabinet - left side
 BR = Female, switchgear cabinet - right side
 BL = Female, switchgear cabinet - left side

For accessories see section "Accessories"

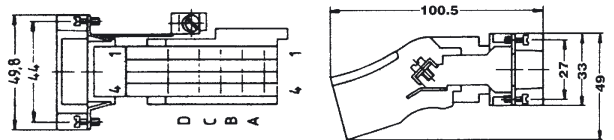
Screw connection DSTV-HD 16

16-pole

250 V-/300 V-/max 10 A



Dimensions



Version	Type	Cat. No.	Qty.
Gold-plated contacts			
Male	DSTV-HD-SR 16 Au	1566370000	2
Male	DSTV-HD-SL 16 Au	1566450000	2
Female	DSTV-HD-BR 16 Au	1566330000	2
Tin-plated contacts			
Female	DSTV-HD-BR 16 Sn	1566650000	2
Female	DSTV-HD-BL 16 Sn	1566730000	2

SR = Male, switchgear cabinet - right side BR = Female, switchgear cabinet - right side
 SL = Male, switchgear cabinet - left side BL = Female, switchgear cabinet - left side

Bulkhead Housing Group Size 3

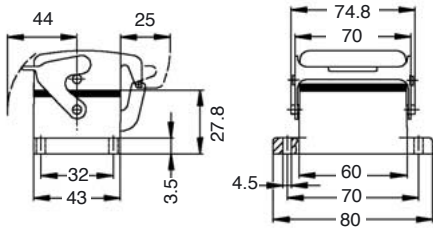
Bulkhead housing HB-6

End locking



AVL

Dimensions



Version	Type	Cat. No.	Qty.
Standard housings			
	HDC-HB-6-AVL	1202100000	5

AVL = Bulkhead housing, end locking

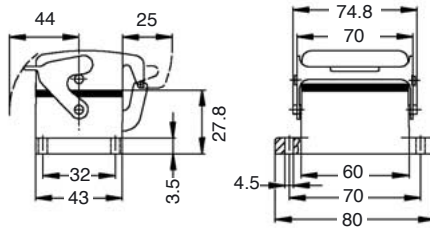
Bulkhead housing HB-6

End locking, with cover



ADVL

Dimensions



Version	Type	Cat. No.	Qty.
Standard housings with cover			
	HDC-HB-6-ADVL	1202500000	5

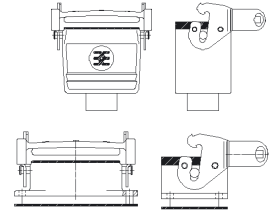
ADVL = Bulkhead housing with cover, end locking

Cover for housing with end locking

Cover with cord



Dimensions



Type	Cat. No.	Qty.
Plastic cover		
HDC-HB-6-DB	1665200000	5

For accessories see section "Accessories"

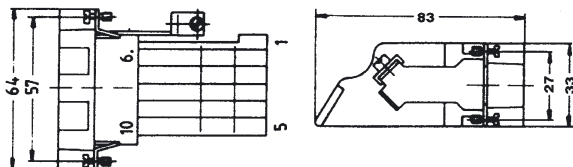
Screw Connection Group Size 4

Screw connection DSTV-K-10

10-pole 380V-/450V-/max.16A



Dimensions



Version	Type	Cat. No.	Qty.
Male	DSTV-K-SR 10	1290600000	1
Male	DSTV-K-SL 10	1409000000	1
Female	DSTV-K-BR 10	1408600000	1
Female	DSTV-K-BL 10	1290200000	1

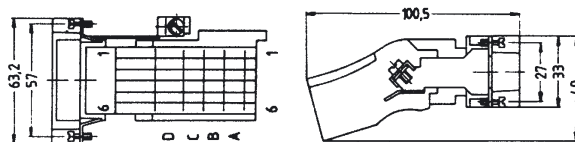
SR = Male, switchgear cabinet - right side
 SL = Male, switchgear cabinet - left side
 BR = Female, switchgear cabinet - right side
 BL = Female, switchgear cabinet - left side

Screw connection DSTV-HD 24

24-pole 250 V-/300 V-/max 10 A



Dimensions



Version	Type	Cat. No.	Qty.
Gold-plated contacts			
Male	DSTV-HD-SL 24 Au	1566460000	1
Tin-plated contacts			
Male	DSTV-HD-SR 24 Sn	1566700000	1
Female	DSTV-HD-BR 24 Sn	1566660000	1
Female	DSTV-HD-BL 24 Sn	1566740000	1

SR = Male, switchgear cabinet - right side BR = Female, switchgear cabinet - right side
 SL = Male, switchgear cabinet - left side BL = Female, switchgear cabinet - left side

For accessories see section "Accessories"

Bulkhead Housing Group Size 4

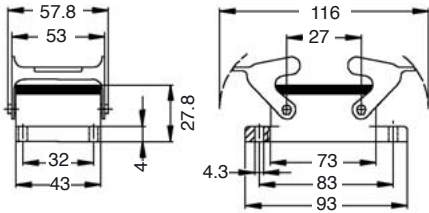
Bulkhead housing HB-10

Side locking



AVU

Dimensions



Version	Type	Cat. No.	Qty.
Standard housings			
	HDC-HB-10-AVU	120500000	5
AVU = Bulkhead housing, side locking			

Cover for lower side with side locking

Cover with cord



Type	Cat. No.	Qty.
Plastic cover		
HDC-HB-10-DB	1665230000	5
Plastic cover		

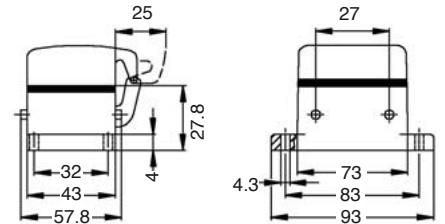
Bulkhead housing HB-10

With cover / side locking upper side



ADVO

Dimensions



Version	Type	Cat. No.	Qty.
Standard housings with cover			
	HDC-HB-10-ADVO	120560000	5
ADVO = Bulkhead housing with cover, side locking upper side			

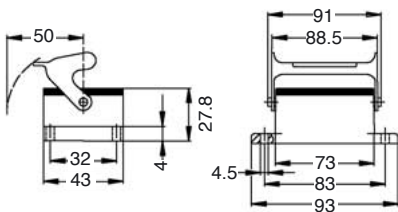
Bulkhead housing HB-10

End locking



AVL

Dimensions



Version	Type	Cat. No.	Qty.
Standard housings			
	HDC-HB-10-AVL	120610000	5
AVL = Bulkhead housing, end locking			

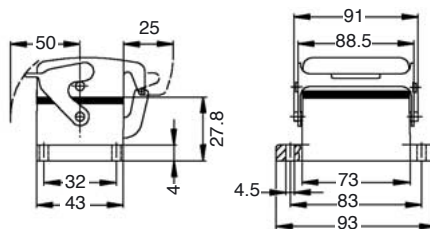
Bulkhead housing HB-10

End locking, with cover



ADVL

Dimensions



Version	Type	Cat. No.	Qty.
Standard housings with cover			
	HDC-HB-10-ADVL	120650000	2
ADVL = Bulkhead housing with cover, end locking			

For accessories see section "Accessories"

Screw Connection Group Size 6

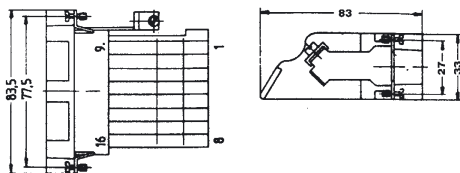
Screw connection DSTV-K-16

16-pole

380 V-/450 V-/max 16 A



Dimensions



Version	Type	Cat. No.	Qty.
Male	DSTV-K-SR 16	1290700000	1
Male	DSTV-K-SL 16	1409100000	1
Female	DSTV-K-BR 16	1408700000	1
Female	DSTV-K-BL 16	1290300000	1

SR = Male, switchgear cabinet - right side
 SL = Male, switchgear cabinet - left side
 BR = Female, switchgear cabinet - right side
 BL = Female, switchgear cabinet - left side

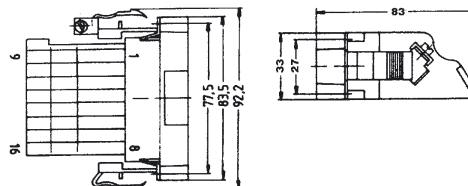
Screw connection DSTV-K R 16

16-pole

380 V-/450 V-/max 16 A



Dimensions



Version	Type	Cat. No.	Qty.
Only in connection with bulkhead housings with latching edge			
Male	DSTV-K R-SR 16	1465900000	1
Female	DSTV-K R-BL 16	1465500000	1

SR = Male, switchgear cabinet - right side
 BL = Female, switchgear cabinet - left side

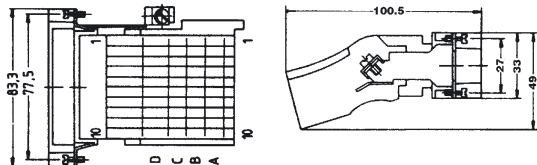
Screw connection DSTV-HD 40

40-pole

250 V-/300 V-/max 10 A



Dimensions



Version	Type	Cat. No.	Qty.
Gold-plated contacts			
Male	DSTV-HD-SR 40 Au	1566390000	1
Male	DSTV-HD-SL 40 Au	1566470000	1
Female	DSTV-HD-BR 40 Au	1566350000	1
Female	DSTV-HD-BL 40 Au	1566430000	1

Version	Type	Cat. No.	Qty.
Tin-plated contacts			
Male	DSTV-HD-SR 40 Sn	1566710000	1
Male	DSTV-HD-SL 40 Sn	1566790000	1
Female	DSTV-HD-BR 40 Sn	1566670000	1
Female	DSTV-HD-BL 40 Sn	1566750000	1

SR = Male, switchgear cabinet - right side
 SL = Male, switchgear cabinet - left side
 BR = Female, switchgear cabinet - right side
 BL = Female, switchgear cabinet - left side

For accessories see section "Accessories"

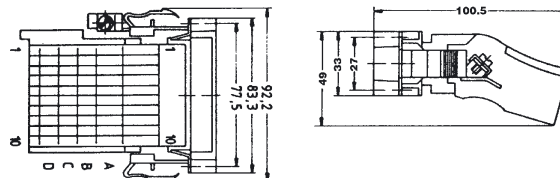
Screw connection DSTV-HD R 40

40-pole

250 V-/300 V-/max 10 A



Dimensions



Version	Type	Cat. No.	Qty.
Only in connection with bulkhead housings with latching edge			
Female	DSTV-HD R-BR 40 Au	1566510000	1

Version	Type	Cat. No.	Qty.
Tin-plated contacts			
Female	DSTV-HD R-BR 40 Sn	1566830000	1
Female	DSTV-HD R-BL 40 Sn	1566910000	1

BR = Female, switchgear cabinet - right side
 BL = Female, switchgear cabinet - left side

Bulkhead Housing Group Size 6

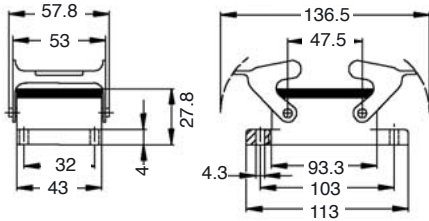
Bulkhead housing HB-16

Side locking



AVU

Dimensions



Version	Type	Cat. No.	Qty.
Standard housings			
	HDC-HB-16-AVU	1208600000	5

AVU = Bulkhead housing, side locking

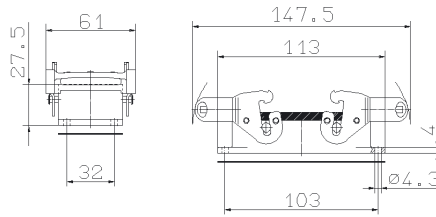
Bulkhead housing HB-16

Side locking / with latch function



AVU

Dimensions

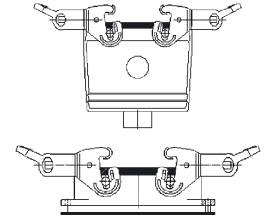


Version	Type	Cat. No.	Qty.
Standard housings with latch function for use with DSTV-K R-16 inserts			
	HDC-HB-R-16-AVU	1432300000	5

AVU = Bulkhead housing, side locking

Cover for lower side with side locking

Cover with cord



Type	Cat. No.	Qty.
Plastic cover		
HDC-HB-16-DB	1665260000	2

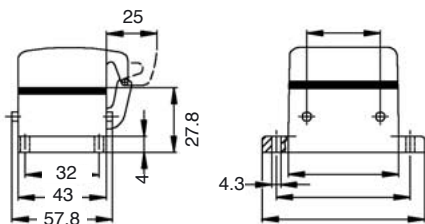
Bulkhead housing HB-16

Side locking upper side, with cover



ADVO

Dimensions



Version	Type	Cat. No.	Qty.
Standard housings			
	HDC-HB-16-ADVO	1209200000	2

ADVO = Bulkhead housing with cover, side locking

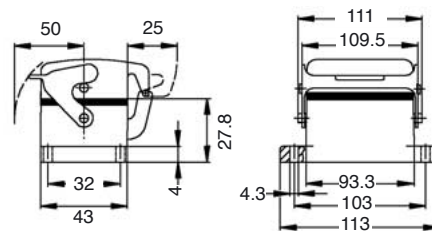
Bulkhead housing HB-16

End locking, with/without cover



ADVL

Dimensions



Version	Type	Cat. No.	Qty.
Standard housings			
	HDC-HB-16-AVL	1209700000	5
Standard housings with cover			
	HDC-HB-16-ADVL	1210100000	2

AVL = Bulkhead housing, end locking
ADVL = Bulkhead housing with cover, end locking

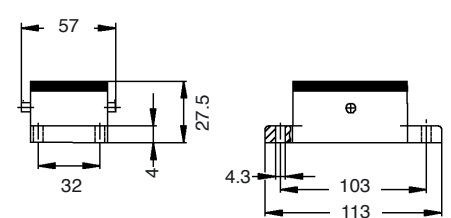
Bulkhead housing HB-16

Centre locking upper side



AVZ

Dimensions



Version	Type	Cat. No.	Qty.
Standard housings			
	HDC-HB-16-AVZ	1611360000	2

AVZ = Bulkhead housing, centre locking

For accessories see section "Accessories"

Screw Connection Group Size 8

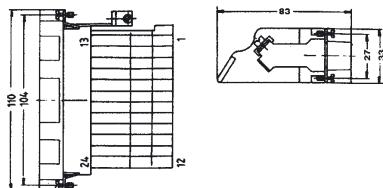
Screw connection DSTV-K-24

24-pole

380 V-/450 V-/max 16 A



Dimensions



Version	Type	Cat. No.	Qty.
Male	DSTV-K-SR 24	1290800000	1
Male	DSTV-K-SL 24	1409200000	1
Female	DSTV-K-BR 24	1408800000	1
Female	DSTV-K-BL 24	1290400000	1

SR = Male, switchgear cabinet - right side
 SL = Male, switchgear cabinet - left side
 BR = Female, switchgear cabinet - right side
 BL = Female, switchgear cabinet - left side

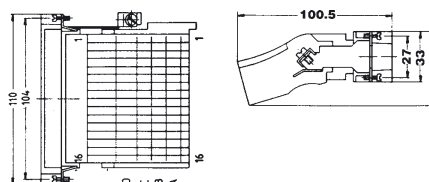
Screw connection DSTV-HD 64

64-pole

250 V-/300 V-/max 10 A



Dimensions



Version	Type	Cat. No.	Qty.
Gold-plated contacts			
Male	DSTV-HD-SR 64 Au	1566400000	1
Female	DSTV-HD-BR 64 Au	1566360000	1
Female	DSTV-HD-BL 64 Au	1566440000	1
Tin-plated contacts			
Male	DSTV-HD-SR 64 Sn	1566720000	1
Male	DSTV-HD-SL 64 Sn	1566800000	1
Female	DSTV-HD-BR 64 Sn	1566680000	1
Female	DSTV-HD-BL 64 Sn	1566760000	1

SR = Male, switchgear cabinet - right side
 SL = Male, switchgear cabinet - left side
 BR = Female, switchgear cabinet - right side
 BL = Female, switchgear cabinet - left side

For accessories see section "Accessories"

Bulkhead Housing Group Size 8

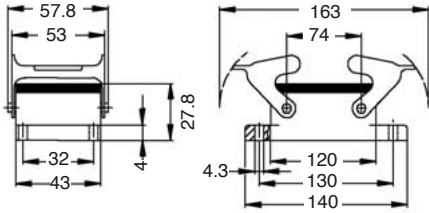
Bulkhead housing HB-24

Side locking



AVU

Dimensions



Version	Type	Cat. No.	Qty.
Standard housings			
	HDC-HB-24-AVU	1212400000	2

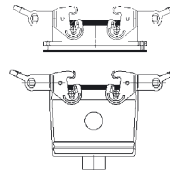
AVU = Bulkhead housing, side locking

Cover for lower side with side locking

Cover with cord



Dimensions



Type	Cat. No.	Qty.
Plastic cover		
HDC-HB-24-DB	1665630000	2

Bulkhead housing HB-24

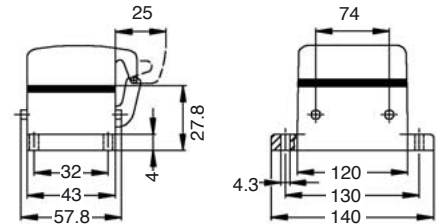
Side locking upper side

Group size 8



ADVO

Dimensions



Version	Type	Cat. No.	Qty.
Standard housings with cover			
	HDC-HB-24-ADVO	1213300000	2

ADVO = Bulkhead housing with cover, side locking upper side

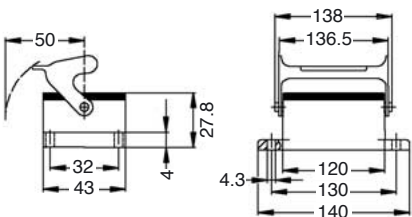
Bulkhead housing HB-24

End locking



AVL

Dimensions



Version	Type	Cat. No.	Qty.
Standard housings			
	HDC-HB-24-AVL	1213900000	2

AVL = Bulkhead housing, end locking

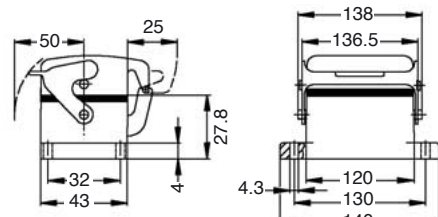
Bulkhead housing HB-24

End locking, with cover



ADVL

Dimensions



Version	Type	Cat. No.	Qty.
Standard housings with cover			
	HDC-HB-24-ADVL	1214300000	2

ADVL = Bulkhead housing with cover, end locking

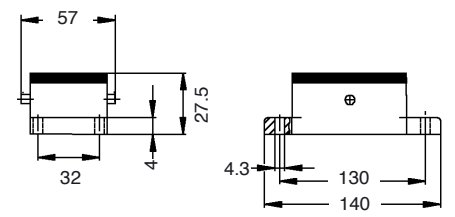
Bulkhead housing HB-24

Centre locking



AVZ

Dimensions



Version	Type	Cat. No.	Qty.
Standard housings			
	HDC-HB-24-AVZ	1611350000	2

AVZ = Bulkhead housing, centre locking

For accessories see section "Accessories"

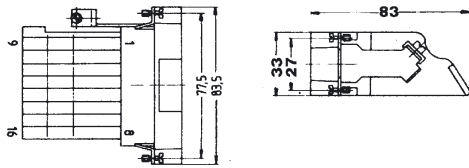
Screw Connection Group Size 10

Screw connection series DSTVK-32

32-pole 380 V-/450 V-/max 16 A



Dimensions



Version	Type	Cat. No.	Qty.
Male	DSTVK-SR 16	1290700000	1
Male	DSTVK-SR 16 printed 17-32	1319000000	1
Female	DSTVK-BL 16	1290300000	1
Female	DSTVK-BL 16 printed 17-32	1318800000	1

SR = Male, switchgear cabinet - right side
 SL = Male, switchgear cabinet - left side
 BR = Female, switchgear cabinet - right side
 BL = Female, switchgear cabinet - left side

Bulkhead Housing Group Size 10

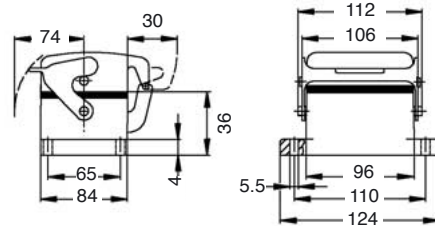
Bulkhead housing HB-32

End locking



ADVL

Dimensions



Version	Type	Cat. No.	Qty.
Standard housings			
	HDC-HB-32-AVL	1219500000	1
Standard housings with cover			
	HDC-HB-32-ADVL	1219800000	1

AVL = Bulkhead housing, end locking
 ADVL = Bulkhead housing with cover, end locking

Bulkhead housing HB-32

Side locking



AVU

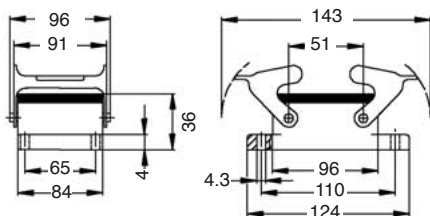
Bulkhead housing HB-32

Side locking upper side, with cover



ADVO

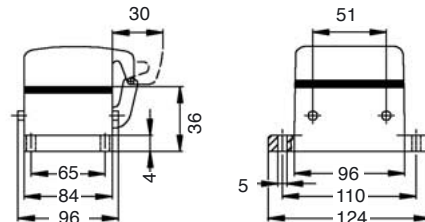
Dimensions



Version	Type	Cat. No.	Qty.
Standard housings			
	HDC-HB-32-AVU	1217800000	1

AVU = Bulkhead housing, side locking

Dimensions



Version	Type	Cat. No.	Qty.
Standard housings with cover			
	HDC-HB-32-ADVO	1218800000	1

ADVO = Bulkhead housing with cover, side locking upper side

For accessories see section "Accessories"

Screw Connection Group Size 12

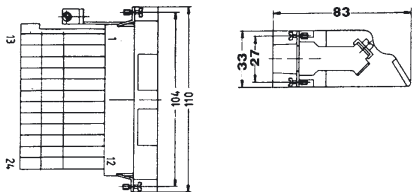
Screw connection series DSTV-K-48

48-pole

380 V-/450 V-/max 16 A



Dimensions



Version	Type	Cat. No.	Qty.
Male	DSTV-K-SR 24	1290800000	1
Male	DSTV-K-SR 24 printed 25-48	1319100000	1
Female	DSTV-K-BL 24	1290400000	1
Female	DSTV-K-BL 24 printed 25-48	1318900000	1

SR = Male, switchgear cabinet - right side
 SL = Male, switchgear cabinet - left side
 BR = Female, switchgear cabinet - right side
 BL = Female, switchgear cabinet - left side

Bulkhead Housing Group Size 12

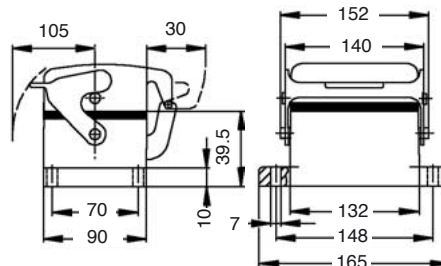
Bulkhead housing HB-48

End locking / with cover



ADVL

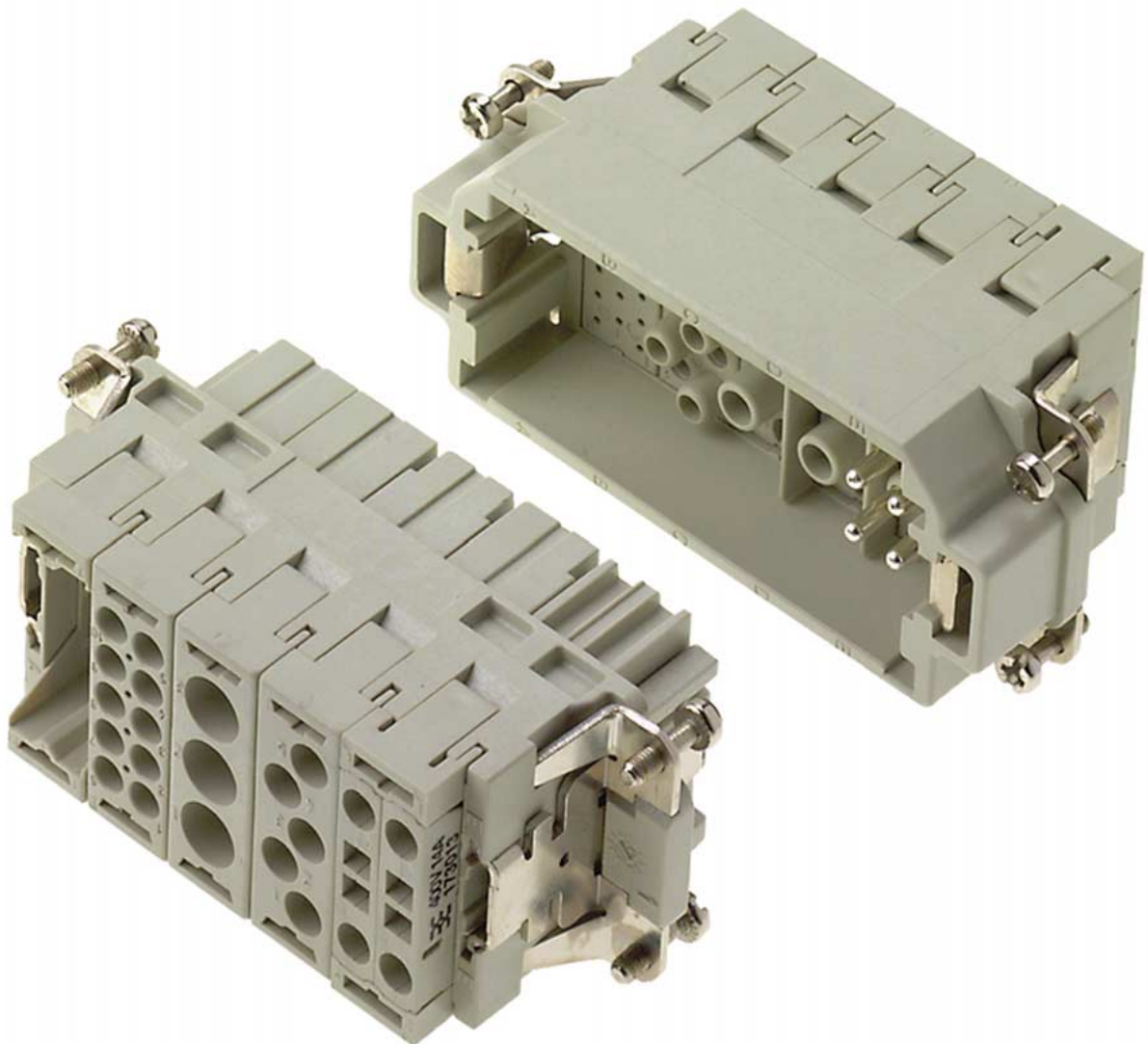
Dimensions



Version	Type	Cat. No.	Qty.
Standard housings with cover			
	HDC-HB-48-ADVL	1222900000	1

ADVL = Bulkhead housing, end locking

Series ConCept



Series ConCept

Series ConCept

- Screw connection (2-pole)
- Crimp contact (3- to 20-pole)
- Tension clamp (4-pole)
- Poles numbers: 2, 3, 4, 5, 10, 20
- Stamped or turned crimp contacts

Universal and flexible – the solution for a large number of applications

The modular ConCept connector system is a low-cost alternative of the well-known and proven HE inserts with fixed poles. It provides the user with flexibility in standard applications and in applications that require customized connectors.

Weidmüller have expanded the system by a tension clamp and a crimp module that offers a free selection of the connecting technology: crimp or tension clamp.

The steadily increasing number of modules with varying numbers of poles and electrical specifications are the basis of a very high number of combination options. Six different male and female modules with different power data and connecting technology, in conjunction with the mounting frames for 2, 3, 5, or 7 modules provide variable connector combinations options.

Single or double-row frames, in combination with standard housings create a reliable connection in machines, switchgear cabinets, motors and installations.

Benefits:

- signal and power transmission possible via the same connector
- extremely flexible due to a large number of practical combinations of modules, frames, hoods and housings
- free choice of the connecting technology in the modules
- crimp module for low-cost HE crimps
- tension clamp module for time-saving processing, maintenance-free and highly vibration-proof
- modules and frames made from a PC material without halogens or phosphorus



ConConcept / Technical Data

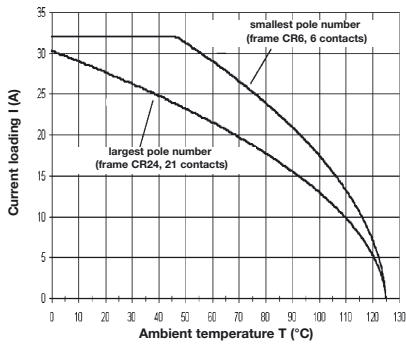
	630 V/40 A	400* V/20 A	250 V/10 A	100 V/4 A	630 V/25 A	400 V/14 A	1000 V/82 A	1000 V/82 A
System specifications								
Pole number	3	5	10	20	4	4	1/1 PE	2
Description	CM-3	CM-5	CM-10	CM-20	CM-HE	CM-4BZF/4SZF	CM 1 + PE	CM-2
Contact diameter	3.6	2.5	1.6	1	2.5	2.5	6	6
Connection method	crimp	crimp	crimp	crimp	crimp	tension clamp	screw	screw
Contact	turned	turned	turned	stamped	turned	turned	turned	turned
Electrical specification plastic PC								
Colour: grey								
Rated voltage max.	630	250	250	100	630	400	1000	1000
Rated current max.	40	20	10	4	25	14	82	82
Impulse voltage	8	6	4	1.5	8	6	6	6
Pollution severity	3	3	3	3	3	3	3	3
Insulation resistance	10 ¹²	10 ¹²	10 ¹¹	10 ¹²	10 ¹²	10 ¹²	10 ¹²	10 ¹²
Overvoltage category	III	III	III	III	III	III	III	III
Through resistance	< 5	< 5	< 5	< 5	< 5	< 5	< 5	< 5
Electrical specification plastic PA								
Colour: black								
Rated voltage max.	630	400	250	100				
Rated current max.	40	20	10	4				
Impulse voltage	8	6	4	1.5				
Pollution severity	3	3	3	3				
Insulation resistance	10 ¹¹	10 ¹¹	10 ¹⁰	10 ¹¹				
Overvoltage category	III	III	III	III				
Through resistance	< 5	< 5	< 5	< 5				
		*400 Volt only if black modules						
Materials data								
• Modules	V-0							
Flammability class UL 94	PA/PC (grey, RAL 7032)							
Plastic material	PA (black, RAL 9005) ³⁾							
• Frames	V-0							
Flammability class UL 94	PC (grey, RAL 7032)							
Plastic material	PA (black, RAL 9005) ³⁾							
• Contacts	Cu-alloy							
Basic material	Ag	Ag	Ag/Au	Ag	Ag/Au	Ag		
Plating								

Application note:

Weidmüller connectors are tested according to the DIN VDE 0627 standard, and are valid for its field of applications. Provided that the connectors are used for the intended purpose, all requirements with respect to the occurring of electrical, mechanical, thermic and corrosive stress will be satisfied. Connectors are not allowed to be operated under loading.

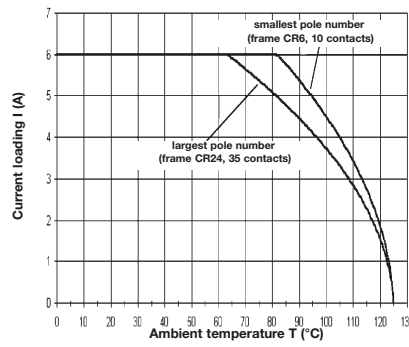
- 1) Ferrules are required for the connection of conductors with a cross-section $\leq 0.75 \text{ mm}^2$.
- 2) Ring tongues are required for the connection of conductors with a cross-section 6 mm^2 to 10 mm^2 .
- 3) 4-pole crimp module CM-HE and tension clamp module CM-4BZF/4SZF are only available in PC (grey).

Module CM-3



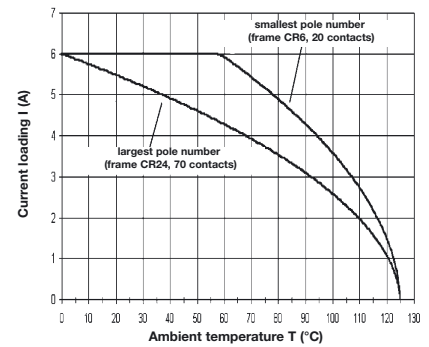
ConCept module CM-3
Conductor H07V-K4.0 mm²

Module CM-5

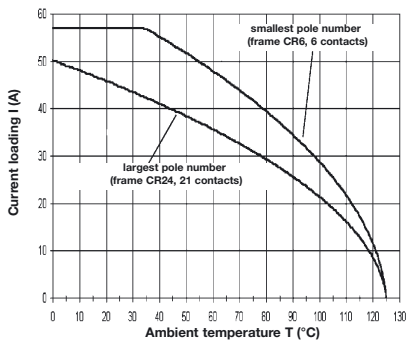


ConCept module CM-5
Conductor H05V-K0.5 mm²

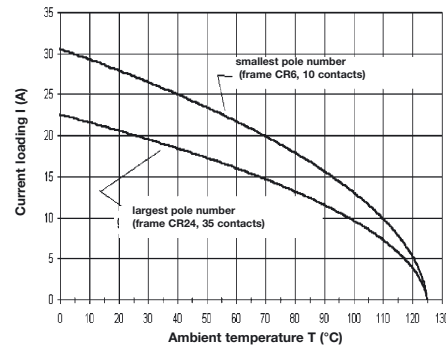
Module CM-10



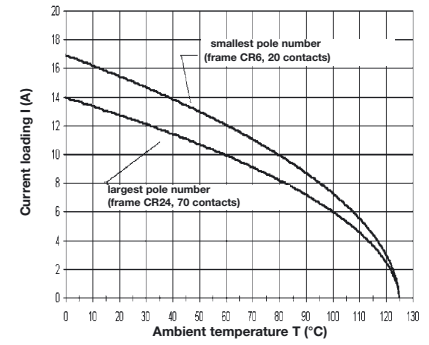
ConCept module CM-10
Conductor H05V-K0.5 mm²



ConCept module CM-3
Conductor H07V-K10.0 mm²

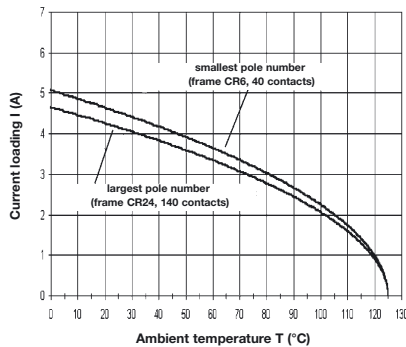


ConCept module CM-5
Conductor H07V-K4.0 mm²



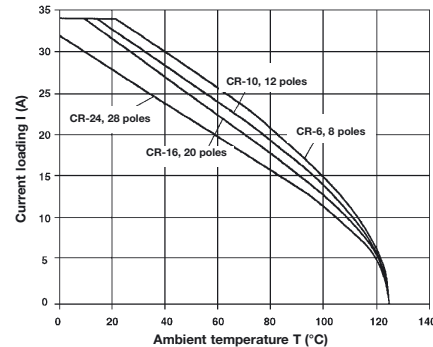
ConCept module CM-10
Conductor H07V-K2.5 mm²

Module CM-20



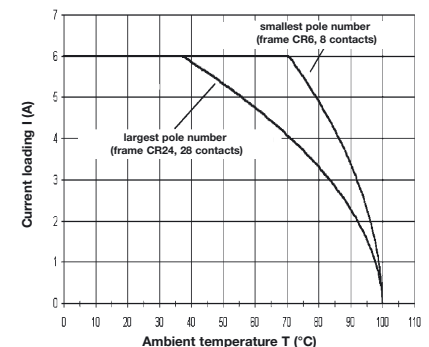
ConCept module CM-20
AWG-Conductor 20/19

Module CM-HE



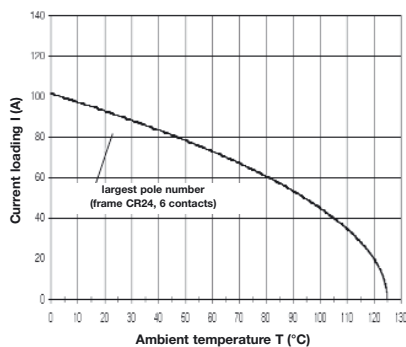
ConCept module CM-HE
Conductor H07V-K4.0 mm²

Module CM-4BZF/4SZF

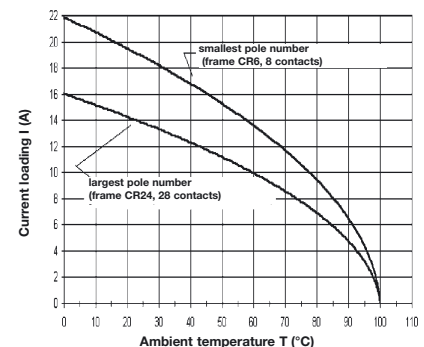


ConCept module CM-4BZF/4SZF
Conductor H05V-K0.5 mm²

Module CM-2



ConCept module CM-2
Conductor 16 mm²



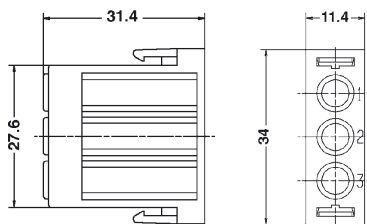
ConCept module CM-4BZF/4SZF
Conductor H07V-K2.5 mm²

ConCept Modules

Crimp connection CM-3SCM

3-pole

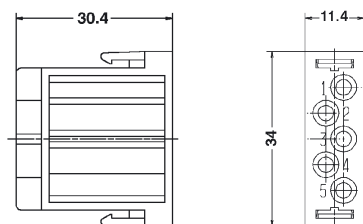
630 V/40 A



Crimp connection CM-5SCM

5-pole

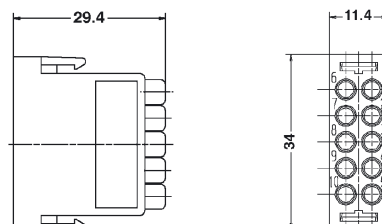
250° V/20 A



Crimp connection CM-10SCM

10-pole

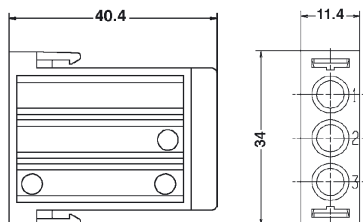
250 V/10 A



Crimp connection CM-3BCM

3-pole

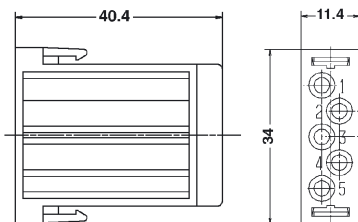
630 V/40 A



Crimp connection CM-5BCM

5-pole

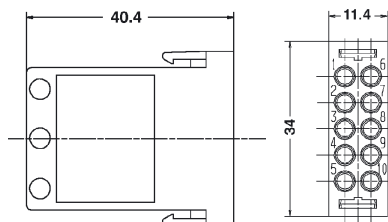
250° V/20 A



Crimp connection CM-10BCM

10-pole

250 V/10 A



For turned contacts

Colour		Black	Grey
Version	Type	Cat. No.	Cat. No.
Male	HDC-CM-3SCM	1682080000	1758360000
Female	HDC-CM-3BCM	1682090000	1758370000

For turned contacts

Colour		Black	Grey
Version	Type	Cat. No.	Cat. No.
Male	HDC-CM-5SCM	1682100000	1758380000
Female	HDC-CM-5BCM	1682110000	1758390000

For turned contacts

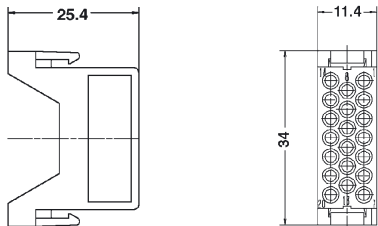
Colour		Black	Grey
Version	Type	Cat. No.	Cat. No.
Male	HDC-CM-10SCM	1682120000	1758400000
Female	HDC-CM-10BCM	1682130000	1758410000

* 400 V for black modules

ConCept Modules

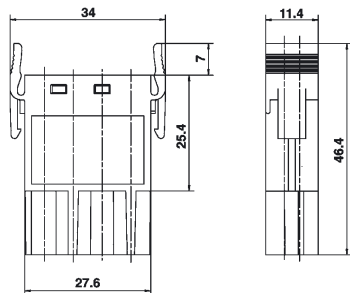
Crimp connection CM-20SCM

20-pole 100 V/4 A



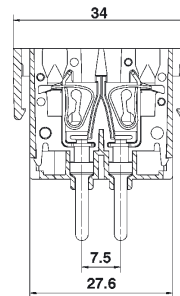
Crimp connection CM-HE 4S GR

4-pole 630 V/25 A



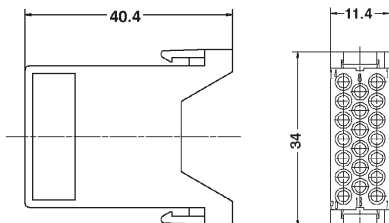
Tension clamp CM-4SZF AG

4-pole 400 V/14 A



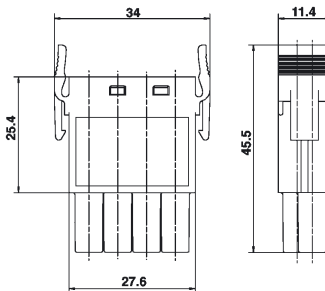
Crimp connection CM-20BCM

20-pole 100 V/4 A



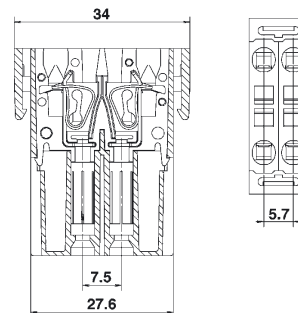
Crimp connection CM-HE 4B GR

4-pole 630 V/25 A



Tension clamp CM-4BZF AG

4-pole 400 V/14 A



For stamped contacts

Colour		Black	Grey	
Version	Type	Cat. No.	Cat. No.	Qty.
Male	HDC-CM-20SCM	1682160000	1758420000	10
Female	HDC-CM-20BCM	1682170000	1758430000	10

For turned contacts

Colour		Black	Grey	
Version	Type	Cat. No.	Cat. No.	Qty.
Male	HDC-CM-HE-4S GR	1758340000		10
Female	HDC-CM-HE-4B GR	1758350000		10

Colour		Black	Grey	
Version	Type	Cat. No.	Cat. No.	Qty.
Male	HDC-CM-4SZF AG	1730120000		10
Female	HDC-CM-4BZF AG	1730130000		10

NEW

ConCept Modules

Screw connection CM-1 SS + PE

1-pole + PE

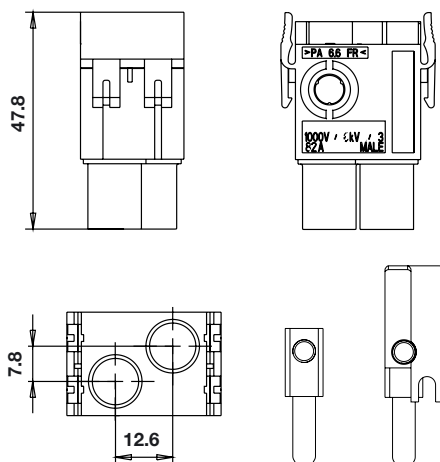
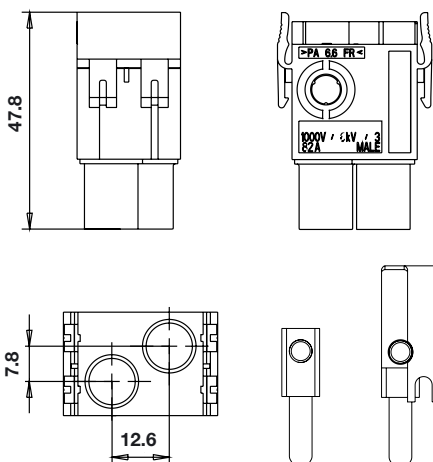
1000 V/82 A



Screw connection CM-2 SS

2-pole

1000 V/82 A



Screw connection CM-1 BS + PE

1-pole + PE

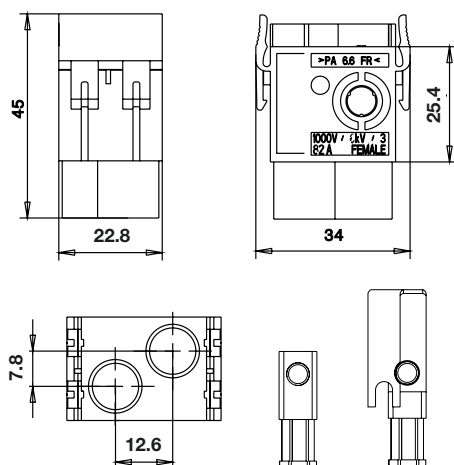
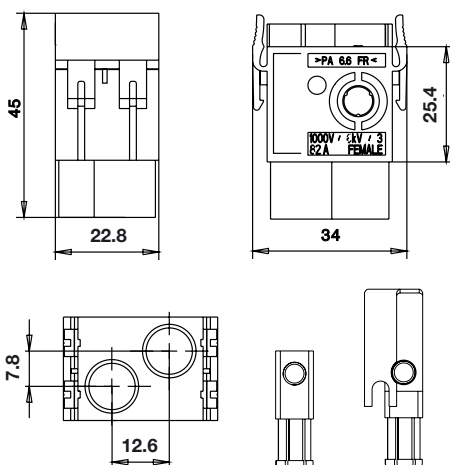
1000 V/82 A



Screw connection CM-2 BS

2-pole

1000 V/82 A

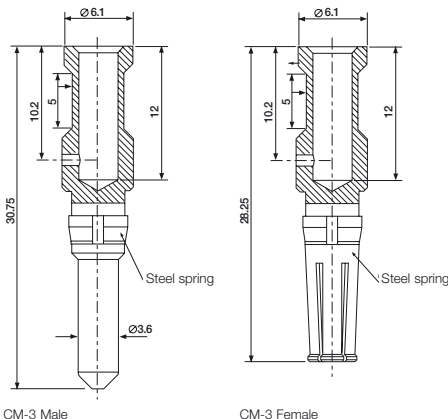


Colour		Grey	
Version	Type	Cat. No.	Qty.
Male	HDC-CM 1SS+PE	1807980000	5
Female	HDC-CM 1BS+PE	1808000000	5

Colour		Grey	
Version	Type	Cat. No.	Qty.
Male	HDC-CM 2SS	1807970000	5
Female	HDC-CM 2BS	1807990000	5

ConCept / Crimp Contacts

Crimp contacts must be ordered separately. Basis of the turned and stamped contacts is a brass-alloy. Contact platings are available either in gold- or silver-plated versions. Stamped contacts are only available with gold coating. The male and female inserts are optionally available for stamped or turned contacts. Please select required crimp contacts.



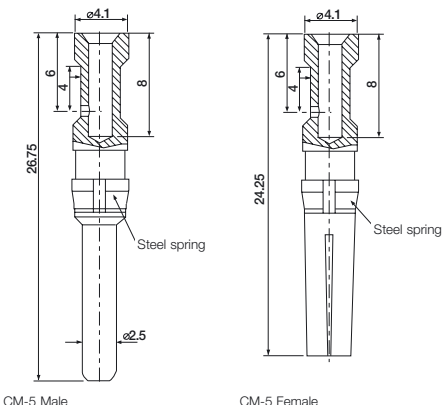
CM-3 Male

CM-3 Female

Turned crimp contacts for module CM-3

Contact diameter of pin \varnothing 3.6 mm

Cross-section mm ²	AWG	Plating	Version	Type	Cat. No.	Qty.
1.5	16	Ag	Male	HDC-C-M3-SM1.5Ag	1698120000	100
1.5	16	Ag	Female	HDC-C-M3-BM1.5Ag	1698130000	100
2.5	14	Ag	Male	HDC-C-M3-SM2.5Ag	1698140000	100
2.5	14	Ag	Female	HDC-C-M3-BM2.5Ag	1698150000	100
4.0	12	Ag	Male	HDC-C-M3-SM4.0Ag	1682260000	100
4.0	12	Ag	Female	HDC-C-M3-BM4.0Ag	1682270000	100
6.0	10	Ag	Male	HDC-C-M3-SM6.0Ag	1682280000	100
6.0	10	Ag	Female	HDC-C-M3-BM6.0Ag	1682290000	100
10.0	7	Ag	Male	HDC-C-M3-SM10.0Ag	1682300000	100
10.0	7	Ag	Female	HDC-C-M3-BM10.0Ag	1682310000	100



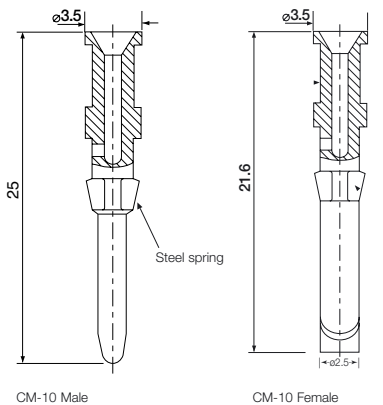
CM-5 Male

CM-5 Female

Turned crimp contacts for module CM-5

Contact diameter of pin \varnothing 2.5 mm

Cross-section mm ²	AWG	Plating	Version	Type	Cat. No.	Qty.
0.75-1.0	18	Ag	Male	HDC-C-M5-SM0.75-1.0Ag	1682340000	100
0.75-1.0	18	Ag	Female	HDC-C-M5-BM0.75-1.0Ag	1682350000	100
1.5	16	Ag	Male	HDC-C-M5-SM1.5Ag	1682360000	100
1.5	16	Ag	Female	HDC-C-M5-BM1.5Ag	1682370000	100
2.5	14	Ag	Male	HDC-C-M5-SM2.5Ag	1682380000	100
2.5	14	Ag	Female	HDC-C-M5-BM2.5Ag	1682390000	100
4.0	12	Ag	Male	HDC-C-M5-SM4.0Ag	1682400000	100
4.0	12	Ag	Female	HDC-C-M5-BM4.0Ag	1682410000	100



CM-10 Male

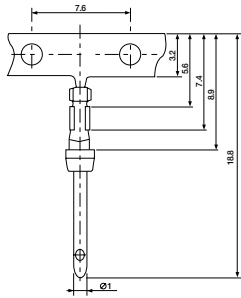
CM-10 Female

Turned crimp contacts for module CM-10

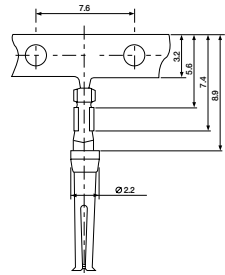
Contact diameter of pin \varnothing 1.6 mm

Cross-section mm ²	AWG	Plating	Version	Type	Cat. No.	Qty.
0.14 - 0.37	26...22	Au	Male	HDC-C-HD-SM0.14-0.37Au	1651620000	100
		Au	Female	HDC-C-HD-BM0.14-0.37Au	1651670000	100
	26...22	Ag	Male	HDC-C-HD-SM0.14-0.37Ag	1651520000	100
		Ag	Female	HDC-C-HD-BM0.14-0.37Ag	1651570000	100
0.5	20	Au	Male	HDC-C-HD-SM0.5Au	1651630000	100
		Au	Female	HDC-C-HD-BM0.5Au	1651680000	100
	20	Ag	Male	HDC-C-HD-SM0.5Ag	1651530000	100
		Ag	Female	HDC-C-HD-BM0.5Ag	1651580000	100
0.75 - 1.00	18	Au	Male	HDC-C-HD-SM0.75-1.00Au	1651640000	100
		Au	Female	HDC-C-HD-BM0.75-1.00Au	1651690000	100
	18	Ag	Male	HDC-C-HD-SM0.75-1.00Ag	1601750000	100
		Ag	Female	HDC-C-HD-BM0.75-1.00Ag	1601760000	100
1.5	16	Au	Male	HDC-C-HD-SM1.5Au	1651650000	100
		Au	Female	HDC-C-HD-BM1.5Au	1651700000	100
	16	Ag	Male	HDC-C-HD-SM1.5Ag	1651550000	100
		Ag	Female	HDC-C-HD-BM1.5Ag	1651600000	100
2.5	14	Au	Male	HDC-C-HD-SM2.5Au	1651660000	100
		Au	Female	HDC-C-HD-BM2.5Au	1651710000	100
	14	Ag	Male	HDC-C-HD-SM2.5Ag	1651560000	100
		Ag	Female	HDC-C-HD-BM2.5Ag	1651610000	100

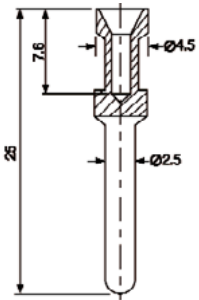
* We recommend the mounting tool HDC-DW-M10, order no. 1688220000, for securing contacts into the insert. The contact is safely positioned in the insert when it audibly clicks into place.



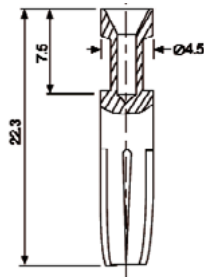
CM-20 Male



CM-20 Female



CM-HE Male



CM-HE Female

Stamped crimp contacts for module CM-20

Contact diameter of pin Ø 1 mm

Cross-section mm ²	AWG	Plating	Version	Type	Cat. No.	Qty. ¹⁾
0.08-0.2	28...24	Au	Male	HDC-C-M20-SCG0.08-0.2Au	1682420000	300
	28...24	Au	Female	HDC-C-M20-BCG0.08-0.2Au	1682430000	300
0.2-0.52	24...20	Au	Male	HDC-C-M20-SCG0.2-0.52Au	1682440000	300
	24...20	Au	Female	HDC-C-M20-BCG0.2-0.52Au	1682450000	300

1) Bandoiler contacts wrapped on reel

Turned crimp contacts for module CM-HE

Contact diameter of pin Ø 1 mm

Cross-section mm ²	AWG	Plating	Version	Type	Cat. No.	Qty.
0.5	20	Au	Male	HDC-C-HE-SM0.5Au	1651420000	100
	20	Ag	Male	HDC-C-HE-SM0.5Ag	1200500000	100
0.5	20	Au	Female	HDC-C-HE-BM0.5Au	1651470000	100
	20	Ag	Female	HDC-C-HE-BM0.5Ag	1201100000	100
0.75 - 1.00	18	Au	Male	HDC-C-HE-SM0.75-1.00Au	1651430000	100
	18	Ag	Male	HDC-C-HE-SM0.75-1.00Ag	1200600000	100
0.75 - 1.00	18	Au	Female	HDC-C-HE-BM0.75-1.00Au	1651480000	100
	18	Ag	Female	HDC-C-HE-BM0.75-1.00Ag	1201200000	100
1.5	16	Au	Male	HDC-C-HE-SM1.5Au	1651440000	100
	16	Ag	Male	HDC-C-HE-SM1.5Ag	1200700000	100
1.5	16	Au	Female	HDC-C-HE-BM1.5Au	1651490000	100
	16	Ag	Female	HDC-C-HE-BM1.5Ag	1201300000	100
2.5	14	Au	Male	HDC-C-HE-SM2.5Au	1651450000	100
	14	Ag	Male	HDC-C-HE-SM2.5Ag	1200800000	100
2.5	14	Au	Female	HDC-C-HE-BM2.5Au	1651500000	100
	14	Ag	Female	HDC-C-HE-BM2.5Ag	1201400000	100
4.0	12	Au	Male	HDC-C-HE-SM4.0Au	1651460000	100
	12	Ag	Male	HDC-C-HE-SM4.0Ag	1200900000	100
4.0	12	Au	Female	HDC-C-HE-BM4.0Au	1651510000	100
	12	Ag	Female	HDC-C-HE-BM4.0Ag	1201500000	100

ConCept / Accessories

Crimping tools

Special type for HE male and female contact

CZB 1



Type	Description	Cat. No.	Qty.
CZB 1	crimping tool for 1.5...4.0 mm ² conductor cross-section	9012710000	1

Preferred type for turned HE, HD and HDD contacts and ConCept contacts

CTX CM



HDC-CM 20



Type	Description	Cat. No.	Qty.
CTX CM 3.6	crimping tool for Ø 3.6 mm contacts with 4.0...10.0 mm ² conductor cross-section of ConCept module CM-3	9018480000	1
CTX CM 1.6/2.5	crimping tool for Ø 1.6 mm/Ø 2.5 mm contacts with 0.14...2.5 mm ² conductor cross-section, of turned HE-, turned HD-, HDD and ConCept contacts	9018490000	1
HDC-CM-3	crimping tool 1.5...10 mm ² conductor cross-section of ConCept module CM-3	1700890000	1
HDC-CM-20	crimping tool for Ø 1.0 mm D-Sub contacts with 0.08...0.52 mm ² conductor cross-section of ConCept module CM-20	1700900000	1

Screwdriver

SD



Type	Description	Cat. No.	Qty.
SD	0.6 x 3.5 x 100 for slotted screws	9008330000	1

Contact removal tool³⁾

for ConCept contacts

HDC-DW



Type	Description	Cat. No.	Qty.
HDC-DW-M3	for ConCept modules HDC-CM-3	1688240000	1
HDC-DW-M5	HDC-CM-5	1688230000	1
HDC-DW-M10¹⁾	HDC-CM-10	1688220000	1
HDC-DW-M20	HDC-CM-20	1688210000	1
HDC-DW-M4²⁾	HDC-CM-HE	1760170000	1

Module removal tool

for ConCept modules

HDC-DW-MOD



Type	Description	Cat. No.	Qty.
HDC-DW-MOD⁴⁾	Module removal tool	1688200000	1

¹⁾ Tool for removal of turned HD contacts

²⁾ Tool for removal of HE contacts

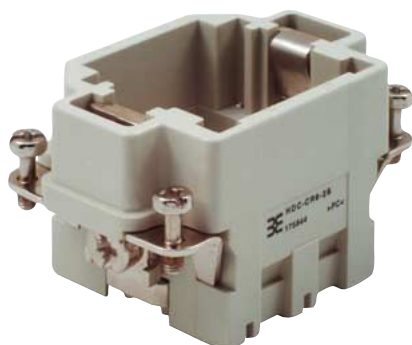
³⁾ Please do not loosen the contact more than 3 times

⁴⁾ Tool for removal of ConCept modules from frames.

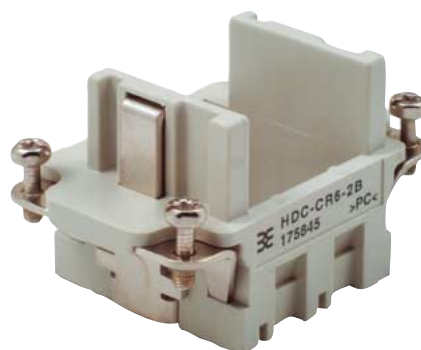
Not necessary for HE modules.

Frames Group Size 3

Frames CR 6 / 2 modules

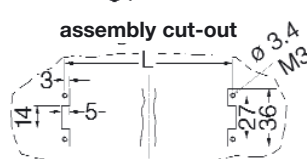
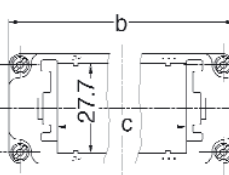
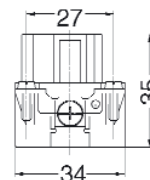
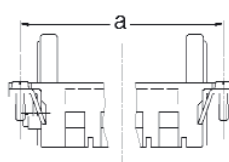
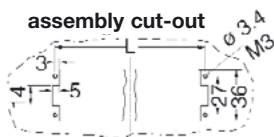
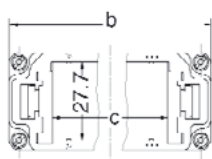
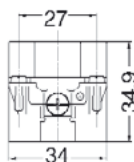


Male frame



Female frame

Dimensions



Colour		Black	Grey								
Version	Type	Cat. No.	Cat. No.	Qty.	a (mm)	b (mm)	c (mm)	L (mm)	Remarks	Group size	
Male	HDC-CR6-2S	1682180000	1758440000	5	44	51	23	44	for 2 modules	3	
Female	HDC-CR6-2B	1682190000	1758450000	5	44	51	23	44	for 2 modules	3	

For accessories see section "Accessories"

Housings Group Size 3

Plug hood HB-6

End locking lower side



TOVL

Plug hood HBD-16

End locking lower side / high version



TOVL

Base housing HB-6

End locking, with/without cover

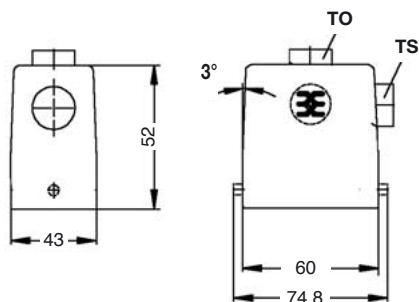


SVL

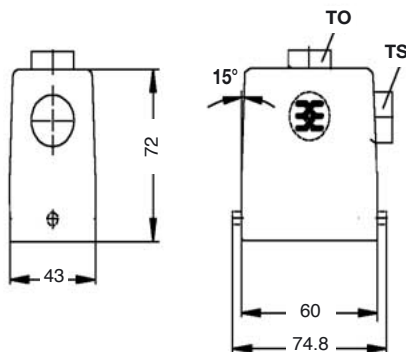


SDVL

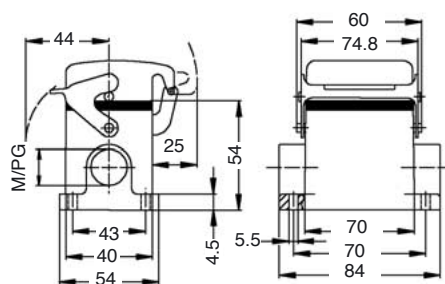
Dimensions



Dimensions



Dimensions



Version	Type	Cat. No.	Qty.
Standard housings, metric thread			
1 x M 20 thread	HDC HB6 TOVL 1xM20G	1788120000	5
1 x M 25 thread	HDC HB6 TOVL 1xM25G	1788110000	5
1 x M 20 thread	HDC HB6 TSVL 1xM20G	1805930000	5
1 x M 20 sleeve	HDC HB6 TSVL 1xM20	1788100000	5
1 x M 25 sleeve	HDC HB6 TSVL 1xM25	1788090000	5
Standard housings, PG thread			
1 x Pg13 complete	HDC-HB-6-TOVL1/13P	1201800000	5
1 x Pg13 sleeve	HDC-HB-6-TOVL1/13	1670500000	5
1 x Pg16 complete	HDC-HB-6-TOVL1/16P	1652630000	5
1 x Pg16 sleeve	HDC-HB-6-TOVL1/16	1652640000	5
1 x Pg13 complete	HDC-HB-6-TSVL1/13P	1201900000	5
1 x Pg13 sleeve	HDC-HB-6-TSVL1/13	1670530000	5
1 x Pg16 complete	HDC-HB-6-TSVL1/16P	1652510000	5
1 x Pg16 sleeve	HDC-HB-6-TSVL1/16	1652520000	5

Version	Type	Cat. No.	Qty.
Standard housings, metric thread			
1 x M 25 thread	HDC HBD16 TOVL 1xM25G	1787500000	5
1 x M 32 thread	HDC HBD16 TOVL 1xM32G	1787490000	5
1 x M 25 thread	HDC HBD16 TSVL 1xM25G	1787480000	5
1 x M 32 thread	HDC HBD16 TSVL 1xM32G	1787470000	5
Standard housings, PG thread			
1 x Pg21 complete	HDC-HBD-16-TOVL1/21P	1652670000	5
1 x Pg21 sleeve	HDC-HBD-16-TOVL1/21	1652680000	5
1 x Pg29 complete	HDC-HBD-16-TOVL1/29P	1652690000	5
1 x Pg29 sleeve	HDC-HBD-16-TOVL1/29	1652700000	5
1 x Pg21 complete	HDC-HBD-16-TSVL1/21P	1652550000	5
1 x Pg21 sleeve	HDC-HBD-16-TSVL1/21	1652560000	5
1 x Pg29 complete	HDC-HBD-16-TSVL1/29P	1652570000	5
1 x Pg29 sleeve	HDC-HBD-16-TSVL1/29	1652580000	5

Version	Type	Cat. No.	Qty.
Standard housings, metric thread			
2 x M 20 thread	HDC HB6 SVL 2xM20G	1788140000	5
2 x M 25 thread	HDC HB6 SVL 2xM25G	1788130000	5
Standard housings with cover, metric thread			
2 x M 20 thread	HDC HB6 SDVL 2xM20G	1788170000	2
2 x M 25 thread	HDC HB6 SDVL 2xM25G	1788160000	2
Standard housings, PG thread			
1 x Pg16 complete	HDC-HB-6-SVL1/16P	1202200000	5
1 x Pg16 sleeve	HDC-HB-6-SVL1/16	1652750000	5
2 x Pg16 complete	HDC-HB-6-SVL2/16P	1202300000	5
2 x Pg16 sleeve	HDC-HB-6-SVL2/16	1652760000	5
Standard housings with cover, PG thread			
1 x Pg16 complete	HDC-HB-6-SDVL1/16P	1202600000	2
1 x Pg16 sleeve	HDC-HB-6-SDVL1/16	1652980000	2
2 x Pg16 complete	HDC-HB-6-SDVL2/16P	1202700000	2
2 x Pg16 sleeve	HDC-HB-6-SDVL2/16	1652990000	2

TOVL = Plug hood; Top cable entry, end locking
 TSVL = Plug hood; Side cable entry, end locking

TOVL = Plug hood; Top cable entry, end locking
 TSVL = Plug hood; Side cable entry, end locking

SVL = Base housing, end locking
 SDVL = Base housing with cover, end locking

For accessories see section "Accessories"

Housings Group Size 3

Base housing HBD-16

End locking, with/without cover, high version

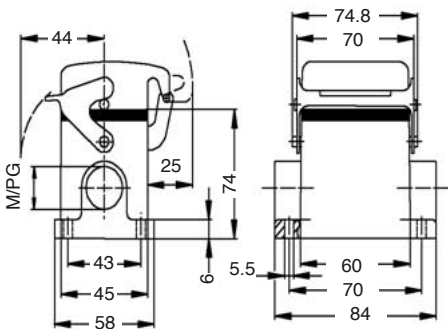


SVL



SDVL

Dimensions



Version	Type	Cat. No.	Qty.
Standard housings, metric thread			
1 x M 20 sleeve	HDC HB10 TSVU 1xM20	1787560000	5
1 x M 25 sleeve	HDC HB10 TSVU 1xM25	1787550000	5
1 x M 20 thread	HDC HB10 TOVU 1xM20G	1787600000	5
1 x M 25 thread	HDC HB10 TOVU 1xM25G	1787590000	5
Standard housings, PG thread			
1 x Pg16 complete	HDC-HB-10-TSVU1/16P	1204800000	5
1 x Pg16 sleeve	HDC-HB-10-TSVU1/16	1654070000	5
1 x Pg21 complete	HDC-HB-10-TSVU1/21P	1654080000	5
1 x Pg21 sleeve	HDC-HB-10-TSVU1/21	1654090000	5
1 x Pg16 complete	HDC-HB-10-TOVU1/16P	1204700000	5
1 x Pg16 sleeve	HDC-HB-10-TOVU1/16	1654220000	5
1 x Pg21 complete	HDC-HB-10-TOVU1/21P	1654230000	5
1 x Pg21 sleeve	HDC-HB-10-TOVU1/21	1654240000	5

TSVU = Plug hood; Side cable entry, side locking lower side

TOVU = Plug hood; Top cable entry, side locking lower side

For accessories see section "Accessories"

Coupling hood HB-6 / HBD-16

End locking

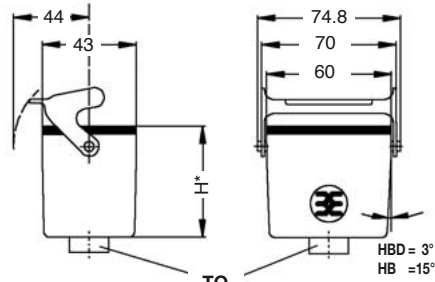


KVL



KVL

Dimensions



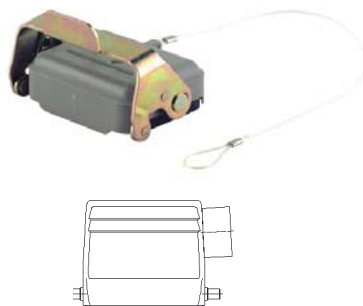
*HB = 54.8
HBD = 74.8

Version	Type	Cat. No.	Qty.
Standard housings, PG thread			
1 x Pg16 complete	HDC-HB-6-KVL1/16P	1202400000	5
1 x Pg16 sleeve	HDC-HB-6-KVL1/16	1653200000	5
1 x Pg21 complete	HDC-HBD-16-KVL1/21P	1653230000	5

KVL = Coupling hood, end locking

Cover for plug hood

Cover with cord



Type	Cat. No.	Qty.
Plastic cover		
HDC-HB-6-DT	1665210000	2

Bulkhead housing HB-6

End locking, with/without cover

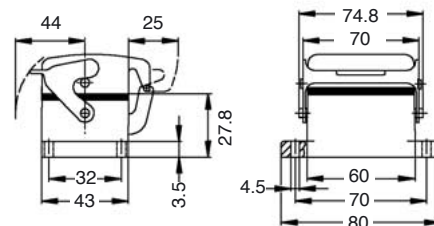


AVL



ADVL

Dimensions



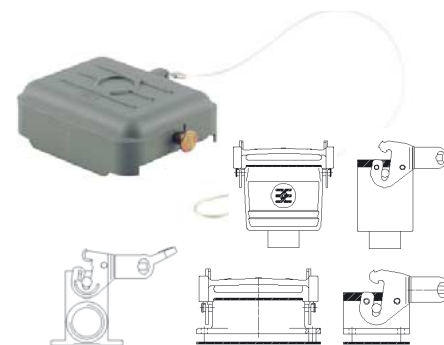
Version	Type	Cat. No.	Qty.
Standard housings			
	HDC-HB-6-AVL	1202100000	5
Standard housings with cover			
	HDC-HB-6-ADVL	1202500000	5

AVL = Bulkhead housing, end locking

ADVL = Bulkhead housing with cover, end locking

Cover for lower side with end locking

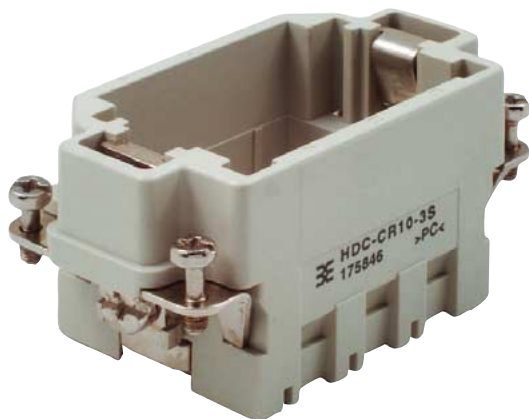
Cover with cord



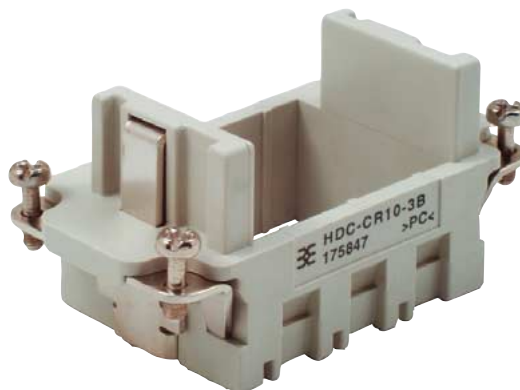
Type	Cat. No.	Qty.
Plastic cover		
HDC-HB-6-DB	1665200000	5

Frames Group Size 4

Frames CR 10 / 3 modules

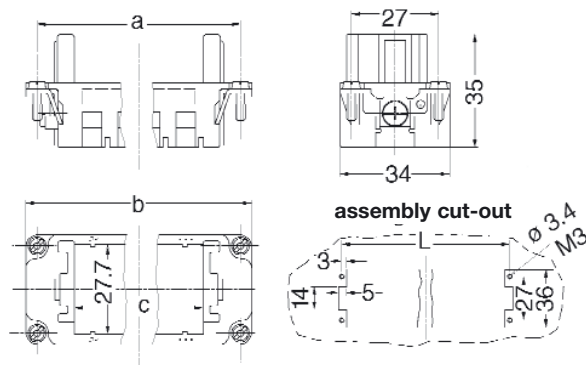
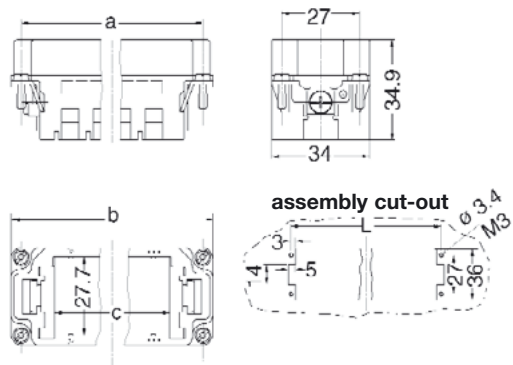


Male frame



Female frame

Dimensions



Colour		Black	Grey		a (mm)	b (mm)	c (mm)	L (mm)	Remarks	Group size
Version	Type	Cat. No.	Cat. No.	Qty.						
Male	HDC-CR10-3S	1682200000	1758460000	5	57	64	34.5	57	for 3 modules	4
Female	HDC-CR10-3B	1682210000	1758470000	5	57	64	34.5	57	for 3 modules	4

For accessories see section "Accessories"

Housings Group Size 4

Plug hood HB-10

Side locking lower side

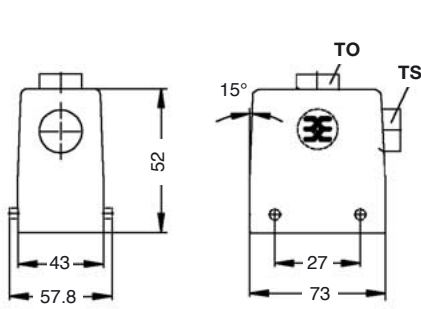


TOVU



TSVU

Dimensions



Plug hood HBD-24

Side locking lower side / high version

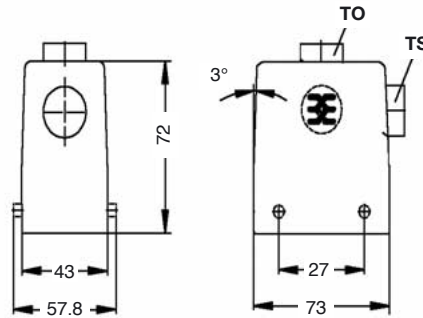


TOVU



TSVU

Dimensions



Base housing HB-10 / HBD-24

Side locking

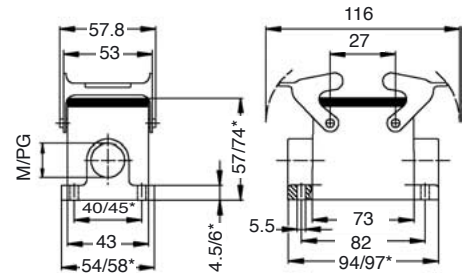


SVU



SVU

Dimensions



*HB/HBD

Version	Type	Cat. No.	Qty.
Standard housings, metric thread			
1 x M 20 thread	HDC HB10 TSVU 1xM20G	1787560000	5
1 x M 25 thread	HDC HB10 TSVU 1xM25G	1787550000	5
1 x M 20 thread	HDC HB10 TOVU 1xM20G	1787600000	5
1 x M 25 thread	HDC HB10 TOVU 1xM25G	1787590000	5
Standard housings, PG thread			
1 x Pg16 complete	HDC-HB-10-TSVU1/16P	1204800000	5
1 x Pg16 sleeve	HDC-HB-10-TSVU1/16	1654070000	5
1 x Pg21 complete	HDC-HB-10-TSVU1/21P	1654080000	5
1 x Pg21 sleeve	HDC-HB-10-TSVU1/21	1654090000	5
1 x Pg16 complete	HDC-HB-10-TOVU1/16P	1204700000	5
1 x Pg16 sleeve	HDC-HB-10-TOVU1/16	1654220000	5
1 x Pg21 complete	HDC-HB-10-TOVU1/21P	1654230000	5
1 x Pg21 sleeve	HDC-HB-10-TOVU1/21	1654240000	5

TSVU = Plug hood; Side cable entry, side locking lower side
 TOVU = Plug hood; Top cable entry, side locking lower side

Version	Type	Cat. No.	Qty.
Standard housings, metric thread			
1 x M 25 thread	HDC HBD24 TSVU 1xM25G	1787240000	5
1 x M 32 thread	HDC HBD24 TSVU 1xM32G	1787230000	5
1 x M 25 thread	HDC HBD24 TOVU 1xM25G	1787300000	5
1 x M 32 thread	HDC HBD24 TOVU 1xM32G	1787290000	5
Standard housings, PG thread			
1 x Pg21 complete	HDC-HBD-24-TSVU1/21P	1654140000	5
1 x Pg21 sleeve	HDC-HBD-24-TSVU1/21	1654150000	5
1 x Pg29 complete	HDC-HBD-24-TSVU1/29P	1654160000	5
1 x Pg29 sleeve	HDC-HBD-24-TSVU1/29	1654170000	5
1 x Pg21 complete	HDC-HBD-24-TOVU1/21P	1654290000	5
1 x Pg29 complete	HDC-HBD-24-TOVU1/29P	1654310000	5

TSVU = Plug hood; Side cable entry, side locking lower side
 TOVU = Plug hood; Top cable entry, side locking lower side

Version	Type	Cat. No.	Qty.
Standard housings, metric thread			
1 x M 20 thread	HDC HB10 SVU 2xM20G	1787640000	2
1 x M 25 thread	HDC HB10 SVU 2xM25G	1787630000	2
2 x M 25 thread	HDC HBD24 SVU 2xM25G	1787350000	2
2 x M 32 thread	HDC HBD24 SVU 2xM32G	1787360000	2
Standard housings, PG thread			
1 x Pg16 complete	HDC-HB-10-SVU1/16P	1205100000	2
1 x Pg16 sleeve	HDC-HB-10-SVU1/16	1654370000	2
2 x Pg16 complete	HDC-HB-10-SVU2/16P	1205200000	2
2 x Pg16 sleeve	HDC-HB-10-SVU2/16	1654380000	2
1 x Pg21 complete	HDC-HBD-24-SVU1/21P	1654420000	2
1 x Pg21 sleeve	HDC-HBD-24-SVU1/21	1654430000	2
1 x Pg29 sleeve	HDC-HBD-24-SVU1/29	1654470000	2
2 x Pg21 complete	HDC-HBD-24-SVU2/21P	1654440000	2
2 x Pg21 sleeve	HDC-HBD-24-SVU2/21	1654450000	2
2 x Pg29 complete	HDC-HBD-24-SVU2/29P	1654480000	2

SVU = Base housing, side locking

For accessories see section "Accessories"

Housings Group Size 4

Coupling hood HB-10 / HBD 24

Side locking

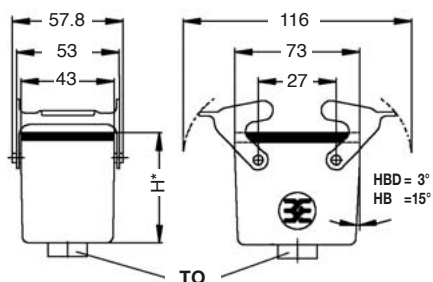


KVV



KVV

Dimensions



*HB = 54.8
HBD = 74.8

Version	Type	Cat. No.	Qty.
Standard housings, metric thread			
1 x M 20 thread	HDC HB10 KVV 1xM20G	1787720000	5
1 x M 25 thread	HDC HB10 KVV 1xM25G	1787710000	5
1 x M 25 thread	HDC HBD24 KVV 1xM25G	1787440000	2
1 x M 32 thread	HDC HBD24 KVV 1xM32G	1787430000	2
Standard housings, PG thread			
1 x Pg16 complete	HDC-HB-10-KVV1/16P	1205300000	5
1 x Pg16 sleeve	HDC-HB-10-KVV1/16	1654580000	5
1 x Pg21 complete	HDC-HB-10-KVV1/21P	1654590000	5
1 x Pg21 complete	HDC-HBD-24-KVV1/21P	1654650000	2
1 x Pg29 complete	HDC-HBD-24-KVV1/29P	1654670000	2

KVV = Coupling hood, side locking

Cover for plug hood

Cover with cord



Type	Cat. No.	Qty.
Plastic cover		
HDC-HB-10-DT	1665240000	2

For accessories see section "Accessories"

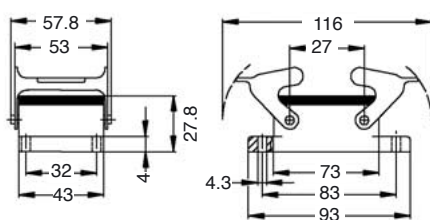
Bulkhead housing HB-10

Side locking



AVU

Dimensions

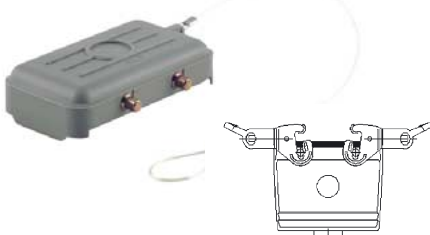


Version	Type	Cat. No.	Qty.
Standard housings			
	HDC-HB-10-AVU	1205000000	5

AVU = Bulkhead housing, side locking

Cover for lower side with side locking

Cover with cord



Type	Cat. No.	Qty.
Plastic cover		
HDC-HB-10-DB	1665230000	5

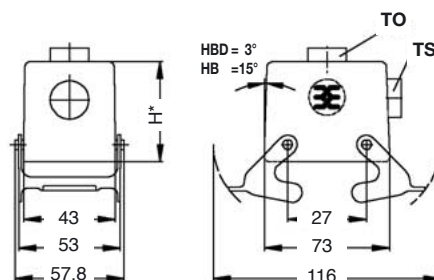
Plug hood HB-10 / HBD-24

Side locking



TSVO

Dimensions



*HB = 52
HBD = 72

Version	Type	Cat. No.	Qty.
Standard housings, metric thread			
1 x M 25 sleeve	HDC HB10 TSVO 1xM25	1787570000	5
1 x M 25 thread	HDC HB10 TOVO 1xM25G	1787610000	5
1 x M 25 thread	HDC HBD24 TSVO 1xM25G	1787260000	2
1 x M 32 thread	HDC HBD24 TSVO 1xM32G	1787250000	2
1 x M 25 thread	HDC HBD24 TOVO 1xM25G	1787320000	2
1 x M 32 thread	HDC HBD24 TOVO 1xM32G	1787310000	2
Standard housings, PG thread			
1 x Pg16 complete	HDC-HB-10-TSVO1/16P	1205500000	5
1 x Pg16 sleeve	HDC-HB-10-TSVO1/16	1654750000	5
1 x Pg16 complete	HDC-HB-10-TOVO1/16P	1205400000	5
1 x Pg16 sleeve	HDC-HB-10-TOVO1/16	1654860000	5
1 x Pg21 sleeve	HDC-HBD-24-TSVO1/21	1654790000	2
1 x Pg29 complete	HDC-HBD-24-TSVO1/29P	1654800000	2
1 x Pg29 sleeve	HDC-HBD-24-TSVO1/29	1654810000	2
1 x Pg21 complete	HDC-HBD-24-TOVO1/21P	1654890000	2
1 x Pg29 complete	HDC-HBD-24-TOVO1/29P	1654910000	2
1 x Pg29 sleeve	HDC-HBD-24-TOVO1/29	1654920000	2

TSVO = Plug hood; Side cable entry, side locking
TOVO = Plug hood; Top cable entry, side locking

Housings Group Size 4

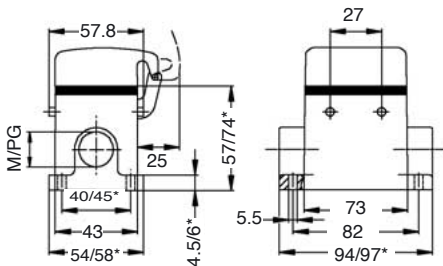
Base housing HB-10 / HBD-24

Side locking upper side



SDVO

Dimensions



*HB/HBD

Version	Type	Cat. No.	Qty.
Standard housings with cover, metric thread			
1 x M 20 thread	HDC HB10 SDVO 2xM20G	1787680000	2
1 x M 25 thread	HDC HB10 SDVO 2xM25G	1787670000	2
1 x M 25 thread	HDC HBD24 SDVO 2xM25G	1787400000	1
1 x M 32 thread	HDC HBD24 SDVO 2xM32G	1787390000	1
Standard housings with cover, PG thread			
1 x Pg16 complete	HDC-HB-10-SDVO1/16P	1205700000	2
1 x Pg16 sleeve	HDC-HB-10-SDVO1/16	1654990000	2
2 x Pg16 complete	HDC-HB-10-SDVO2/16P	1205800000	2
2 x Pg16 sleeve	HDC-HB-10-SDVO2/16	1655000000	2
1 x Pg21 complete	HDC-HBD-24-SDVO1/21P	1655050000	1
1 x Pg29 complete	HDC-HBD-24-SDVO1/29P	1655090000	1
2 x Pg29 complete	HDC-HBD-24-SDVO2/29P	1655110000	1

SDVO = Base housing with cover, side locking upper side

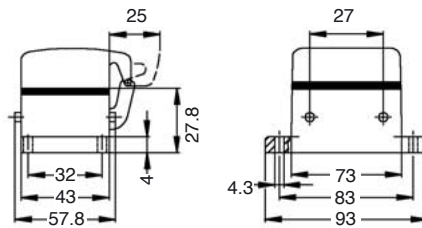
Bulkhead housing HB-10

With cover / side locking upper side



ADVO

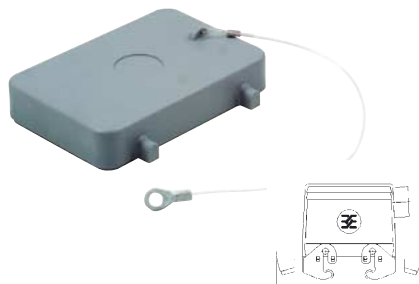
Dimensions



Version	Type	Cat. No.	Qty.
Standard housings with cover			
	HDC-HB-10-ADVO	1205600000	5
ADVO = Bulkhead housing with cover, Side locking upper side			

Cover for plug hood with side locking

Cover with cord



Type	Cat. No.	Qty.
Plastic cover		
HDC-HB-10-DBP	1665250000	5

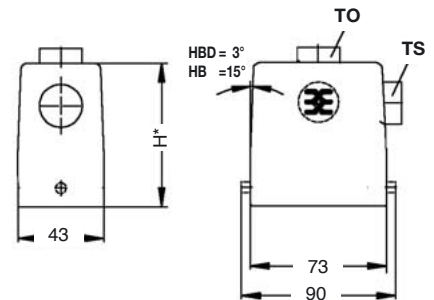
Plug hood HB-10 / HBD-24

End locking lower side



TOVL

Dimensions



*HB = 52
HBD = 72

Version	Type	Cat. No.	Qty.
Standard housings, metric thread			
1 x M 25 sleeve	HDC HB10 TSVL 1xM25	1787580000	5
1 x M 25 thread	HDC HB10 TOVL 1xM25G	1787620000	5
1 x M 25 thread	HDC HBD24 TSVL 1xM25G	1787280000	2
1 x M 32 thread	HDC HBD24 TSVL 1xM32G	1787270000	2
1 x M 25 thread	HDC HBD24 TOVL 1xM25G	1787340000	2
1 x M 32 thread	HDC HBD24 TOVL 1xM32G	1787330000	2
Standard housings, PG thread			
1 x Pg16 complete	HDC-HB-10-TSVL1/16P	1206000000	5
1 x Pg16 sleeve	HDC-HB-10-TSVL1/16	1655210000	5
1 x Pg16 complete	HDC-HB-10-TOVL1/16P	1205900000	5
1 x Pg16 sleeve	HDC-HB-10-TOVL1/16	1655320000	5
1 x Pg21 complete	HDC-HBD-24-TSVL1/21P	1655240000	2
1 x Pg21 sleeve	HDC-HBD-24-TSVL1/21	1655250000	2
1 x Pg29 complete	HDC-HBD-24-TSVL1/29P	1655260000	2
1 x Pg29 sleeve	HDC-HBD-24-TSVL1/29	1655270000	2
1 x Pg21 complete	HDC-HBD-24-TOVL1/21P	1655350000	2
1 x Pg21 sleeve	HDC-HBD-24-TOVL1/21	1655360000	2
1 x Pg29 complete	HDC-HBD-24-TOVL1/29P	1655370000	2
1 x Pg29 sleeve	HDC-HBD-24-TOVL1/29	1655380000	2

TSVL = Plug hood; Side cable entry, end locking

TOVL = Plug hood; Top cable entry, end locking

For accessories see section "Accessories"

Housings Group Size 4

Base housing HB-10 / HBD-24

End locking, with/without cover



SVL



SDVL

Coupling hood HB-10 / HBD-24

End locking



KVL



KVL

Bulkhead housing HB-10

End locking, with/without cover

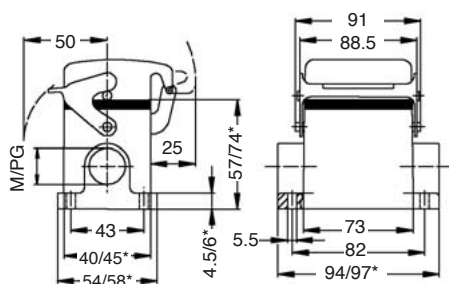


AVL



ADVL

Dimensions



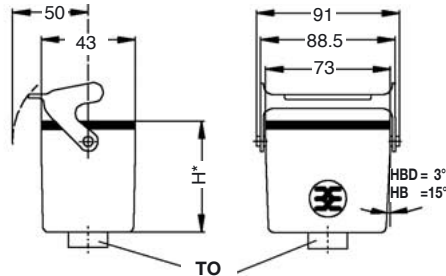
*HB/HBG

Version	Type	Cat. No.	Qty.
Standard housings, metric thread			
2 x M 20 thread	HDC HB10 SVL 2xM20G	1787660000	2
2 x M 25 thread	HDC HB10 SVL 2xM25G	1787650000	2
2 x M 25 thread	HDC HBD24 SVL 2xM25G	1787380000	2
2 x M 32 thread	HDC HBD24 SVL 2xM32G	1787370000	2
Standard housings with cover, metric thread			
2 x M 20 thread	HDC HB10 SDVL 2xM20G	1787700000	2
2 x M 25 thread	HDC HB10 SDVL 2xM25G	1787690000	2
1 x M 25 thread	HDC HBD24 SDVL 1xM25G	1787420000	1
1 x M 32 thread	HDC HBD24 SDVL 1xM32G	1787410000	1
Standard housings, PG thread			
1 x Pg16 complete	HDC-HB-10-SVL1/16P	1206200000	2
1 x Pg16 sleeve	HDC-HB-10-SVL1/16	1655460000	2
2 x Pg16 complete	HDC-HB-10-SVL2/16P	1206300000	2
2 x Pg16 sleeve	HDC-HB-10-SVL2/16	1655470000	2
1 x Pg21 complete	HDC-HBD-24-SVL1/21P	1655510000	2
1 x Pg29 complete	HDC-HBD-24-SVL1/29P	1655550000	2
Standard housings with cover, PG thread			
1 x Pg16 complete	HDC-HB-10-SDVL1/16P	1206600000	2
1 x Pg16 sleeve	HDC-HB-10-SDVL1/16	1655670000	2
2 x Pg16 complete	HDC-HB-10-SDVL2/16P	1206700000	1
2 x Pg16 sleeve	HDC-HB-10-SDVL2/16	1655680000	1
1 x Pg21 complete	HDC-HBD-24-SDVL1/21P	1655720000	1

SVL = Base housing, end locking

SDVL = Base housing with cover, end locking

Dimensions

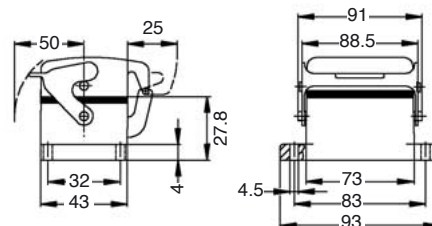


*HB = 54.8
HBD= 74.8

Version	Type	Cat. No.	Qty.
Standard housings, metric thread			
1 x M 20 thread	HDC HB10 KVL 1xM20G	1787740000	5
1 x M 25 thread	HDC HB10 KVL 1xM25G	1787730000	2
1 x M 25 thread	HDC HBD24 KVL 1xM25G	1787460000	2
1 x M 32 thread	HDC HBD24 KVL 1xM32G	1787450000	2
Standard housings, PG thread			
1 x Pg16 complete	HDC-HB-10-KVL1/16P	1655880000	5
1 x Pg16 sleeve	HDC-HB-10-KVL1/16	1655890000	5
1 x Pg21 complete	HDC-HB-10-KVL1/21P	1655900000	2

KVL = Coupling hood, end locking

Dimensions



Version	Type	Cat. No.	Qty.
Standard housings			
	HDC-HB-10-AVL	1206100000	5
Standard housings with cover			
	HDC-HB-10-ADVL	1206500000	2

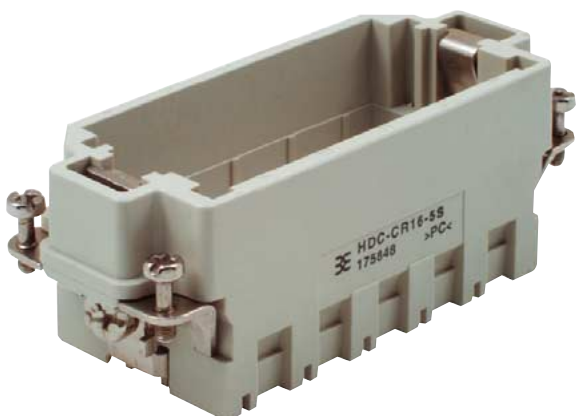
AVL = Bulkhead housing, end locking

ADVL = Bulkhead housing with cover, end locking

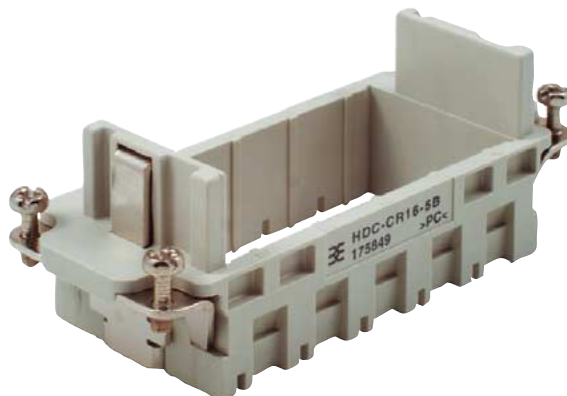
For accessories see section "Accessories"

Frames Group Size 6

Frames CR 16 / 5 Modules

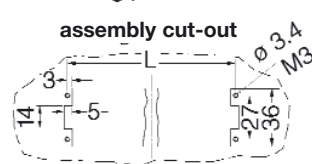
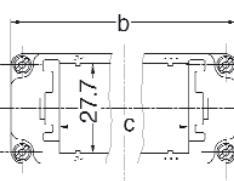
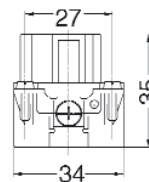
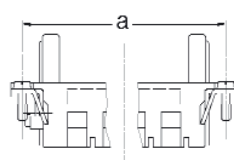
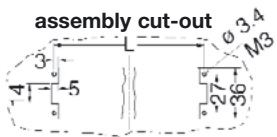
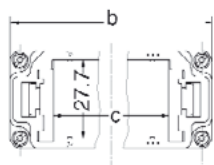
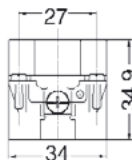
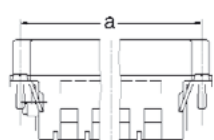


Male frame



Female frame

Dimensions



Colour		Black	Grey		a (mm)	b (mm)	c (mm)	L (mm)	Remarks	Group size
Male	HDC-CR16-5S	1682220000	1758480000	5	77.5	84.5	57.5	77.5	For 5 modules	6 (10)
Female	HDC-CR16-5B	1682230000	1758490000	5	77.5	84.5	57.5	77.5	For 5 modules	6 (10)
Male ¹⁾	HDC-CR16-5S-2		1758520000	5	77.5	84.5	57.5	77.5	For 5 modules	10
Female ¹⁾	HDC-CR16-5B-2		1758530000	5	77.5	84.5	57.5	77.5	For 5 modules	10

¹⁾ addition markings for the use of two frames in one housing.
2 frames = groupe size 10.

For accessories see section "Accessories"

Housings Group Size 6

Plug hood HB-16 / HBD-40

Side locking lower side

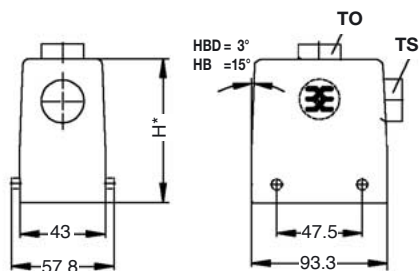


TSVU



TOVU

Dimensions



*HB = 61
HBD = 76

Version	Type	Cat. No.	Qty.
Standard housings, metric thread			
1 x M 25 sleeve	HDC HB16 TSVU 1xM25	1788180000	5
1 x M 25 thread	HDC HB16 TOVU 1xM25G	1788210000	5
1 x M 25 thread	HDC HBD40 TSVU 1xM25G	1787010000	5
1 x M 32 thread	HDC HBD40 TSVU 1xM32G	1787000000	5
1 x M 25 thread	HDC HBD40 TOVU 1xM25G	1787070000	5
1 x M 32 thread	HDC HBD40 TOVU 1xM32G	1787060000	5
Standard housings, PG thread			
1 x Pg21 complete	HDC-HB-16-TSVU1/21P	1208400000	5
1 x Pg21 sleeve	HDC-HB-16-TSVU1/21	1656480000	5
1 x Pg21 complete	HDC-HB-16-TOVU1/21P	1208300000	5
1 x Pg21 sleeve	HDC-HB-16-TOVU1/21	1656590000	5
1 x Pg21 complete	HDC-HBD-40-TSVU1/21P	1656510000	5
1 x Pg21 sleeve	HDC-HBD-40-TSVU1/21	1656520000	5
1 x Pg29 complete	HDC-HBD-40-TSVU1/29P	1656530000	5
1 x Pg29 sleeve	HDC-HBD-40-TSVU1/29	1656540000	5
1 x Pg21 complete	HDC-HBD-40-TOVU1/21P	1656620000	5
1 x Pg21 sleeve	HDC-HBD-40-TOVU1/21	1656630000	5
1 x Pg29 complete	HDC-HBD-40-TOVU1/29P	1656640000	5
1 x Pg29 sleeve	HDC-HBD-40-TOVU1/29	1656650000	5

TOVU = Plug hood; Top cable entry, side locking lower side

TSVU = Plug hood; Side cable entry, side locking lower side

For accessories see section "Accessories"

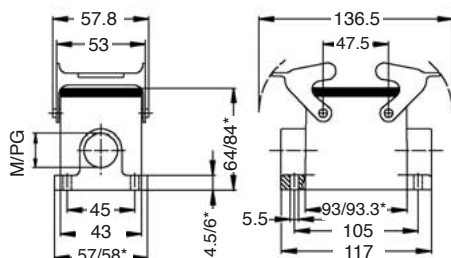
Base housing HB-16 / HBD-40

Side locking



SVU

Dimensions



*HB/HBD

Version	Type	Cat. No.	Qty.
Standard housings, metric thread			
1 x M 25 thread	HDC HB16 SVU 2xM25G	1788240000	2
2 x M 25 thread	HDC HBD40 SVU 2xM25G	1787120000	2
2 x M 32 thread	HDC HBD40 SVU 2xM32G	1787110000	2
Standard housings, PG thread			
1 x Pg21 complete	HDC-HB-16-SVU1/21P	1208700000	2
1 x Pg21 sleeve	HDC-HB-16-SVU1/21	1656720000	2
2 x Pg21 complete	HDC-HB-16-SVU2/21P	1208800000	2
2 x Pg21 sleeve	HDC-HB-16-SVU2/21	1656730000	2
1 x Pg21 sleeve	HDC-HBD-40-SVU1/21	1656790000	2
1 x Pg29 complete	HDC-HBD-40-SVU1/29P	1656820000	2
2 x Pg21 complete	HDC-HBD-40-SVU2/21P	1656800000	2
2 x Pg21 sleeve	HDC-HBD-40-SVU2/21	1656810000	2
2 x Pg29 complete	HDC-HBD-40-SVU2/29P	1656840000	2

SVU = Base housing, side locking lower side

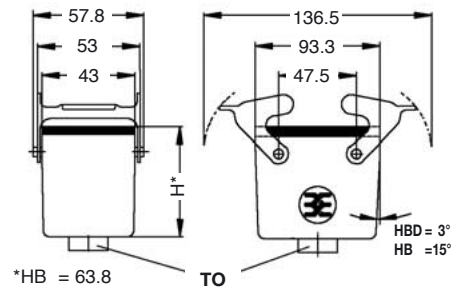
Coupling hood HB-16 / HBD-40

Side locking



KVVU

Dimensions



*HB = 63.8
HBD = 78.8

Version	Type	Cat. No.	Qty.
Standard housings, metric thread			
1 x M 25 thread	HDC HBD40 KVVU 1xM25G	1787200000	2
1 x M 32 thread	HDC HBD40 KVVU 1xM32G	1787190000	2
1 x M 25 thread	HDC HB16 KVVU 1xM25G	1788280000	2
Standard housings, PG thread			
1 x Pg21 complete	HDC-HB-16-KVVU1/21P	1208900000	2
1 x Pg21 sleeve	HDC-HB-16-KVVU1/21	1657270000	2
1 x Pg21 complete	HDC-HBD-40-KVVU1/21P	1657300000	2
1 x Pg21 sleeve	HDC-HBD-40-KVVU1/21	1657310000	2
1 x Pg29 complete	HDC-HBD-40-KVVU1/29P	1657320000	2

KVVU = Coupling hood, side locking

Cover for plug hood

Cover with cord



Type	Cat. No.	Qty.
Plastic cover		
HDC-HB-16-DT	1665270000	2

Housings Group Size 6

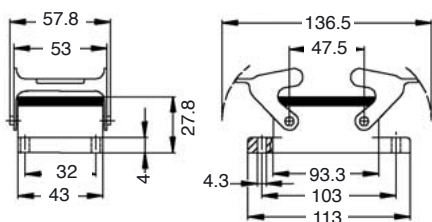
Bulkhead housing HB-16

Side locking



AVU

Dimensions

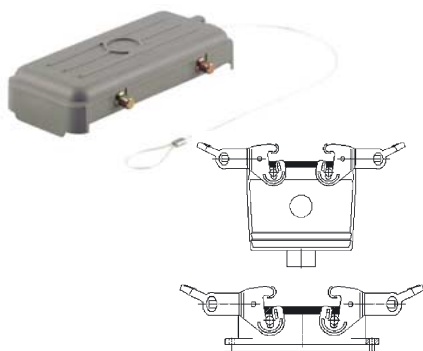


Version	Type	Cat. No.	Qty.
Standard housings			
	HDC-HB-16-AVU	1208600000	5

AVU = Bulkhead housing, side locking

Cover for lower side with side locking

Cover with cord



Type	Cat. No.	Qty.
Plastic cover		
HDC-HB-16-DB	1665260000	2

For accessories see section "Accessories"

Plug hood HB-16 / HBD-40

Side locking

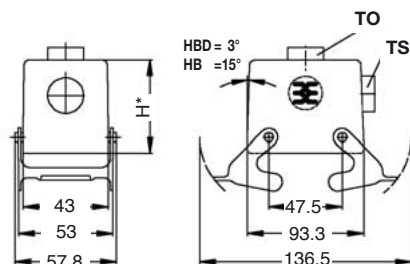


TSVO



TOVO

Dimensions



*HB = 61
HBD = 76

Version	Type	Cat. No.	Qty.
Standard housings, metric thread			
1 x M 25 sleeve	HDC HB16 TSVO 1xM25	1788190000	2
1 x M 25 thread	HDC HB16 TOVO 1xM25G	1788220000	2
1 x M 25 thread	HDC HBD40 TSVO 1xM25G	1787030000	2
1 x M 32 thread	HDC HBD40 TSVO 1xM32G	1787020000	2
1 x M 25 thread	HDC HBD40 TOVO 1xM25G	1787090000	2
1 x M 32 thread	HDC HBD40 TOVO 1xM32G	1787080000	2

Version	Type	Cat. No.	Qty.
Standard housings, PG thread			
1 x Pg21 complete	HDC-HB-16-TSVO1/21P	1209100000	2
1 x Pg21 sleeve	HDC-HB-16-TSVO1/21	1657380000	2
1 x Pg21 complete	HDC-HB-16-TOVO1/21P	1209000000	2
1 x Pg21 sleeve	HDC-HB-16-TOVO1/21	1657490000	2
1 x Pg21 complete	HDC-HBD-40-TSVO1/21P	1657410000	2
1 x Pg21 sleeve	HDC-HBD-40-TSVO1/21	1657420000	2
1 x Pg29 complete	HDC-HBD-40-TSVO1/29P	1657430000	2
1 x Pg21 complete	HDC-HBD-40-TOVO1/21P	1657520000	2
1 x Pg29 complete	HDC-HBD-40-TOVO1/29P	1657540000	2
1 x Pg29 sleeve	HDC-HBD-40-TOVO1/29	1657550000	2

TSVO = Plug hood; Side cable entry, side locking

TOVO = Plug hood; Top cable entry, side locking

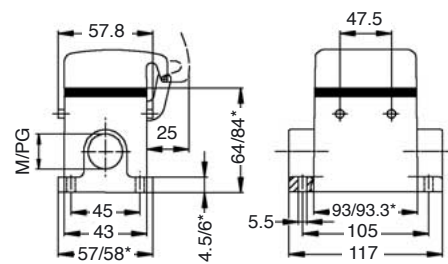
Base housing HB-16 / HBD-40

Side locking upper side



SDVO

Dimensions



Version	Type	Cat. No.	Qty.
Standard housings with cover, metric thread			
2 x M 25 thread	HDC HB16 SDVO 2xM25G	1788260000	2
2 x M 25 thread	HDC HBD40 SDVO 2xM25G	1787160000	2
2 x M 32 thread	HDC HBD40 SDVO 2xM32G	1787150000	2

Version	Type	Cat. No.	Qty.
Standard housings with cover, PG thread			
1 x Pg21 complete	HDC-HB-16-SDVO1/21P	1209300000	2
2 x Pg21 complete	HDC-HB-16-SDVO2/21P	1209400000	2
2 x Pg21 sleeve	HDC-HB-16-SDVO2/21	1657640000	2
1 x Pg21 complete	HDC-HBD-40-SDVO1/21P	1657690000	2
1 x Pg21 sleeve	HDC-HBD-40-SDVO1/21	1657700000	2
2 x Pg21 complete	HDC-HBD-40-SDVO2/21P	1657710000	2

SDVO = Base housing with cover, side locking upper side

Housings Group Size 6

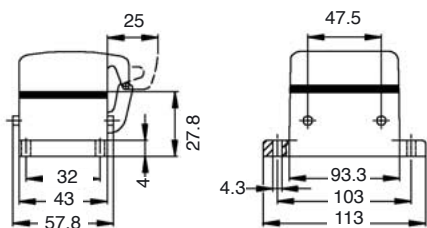
Bulkhead housing HB-16

Side locking upper side



ADVO

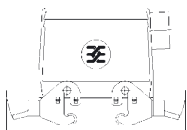
Dimensions



Version	Type	Cat. No.	Qty.
Standard housings			
	HDC-HB-16-ADVO	1209200000	2
ADVL = Bulkhead housing with cover, side locking			

Cover for plug hood with side locking

Cover with cord



Type	Cat. No.	Qty.
Plastic cover		
HDC-HB-16-DBP	1665620000	5

For accessories see section "Accessories"

Plug hood HB-16 / HBD-40

End locking lower side / high version

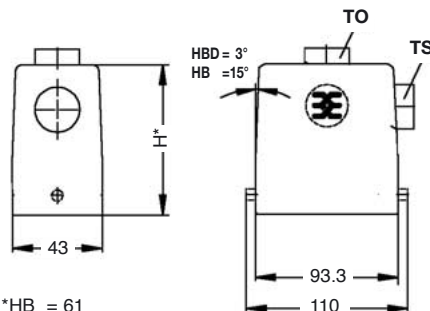


TOVL



TSVL

Dimensions



*HB = 61
HBD= 76

Version	Type	Cat. No.	Qty.
Standard housings, metric thread			
1 x M 25 sleeve	HDC HB16 TSVL 1xM25	1788200000	5
1 x M 25 thread	HDC HB16 TOVL 1xM25G	1788230000	5
1 x M 32 thread	HDC HB16 TSVL 1xM32G	1804640000	5
1 x M 32 thread	HDC HB16 TOVL 1xM32G	1804630000	5
1 x M 25 thread	HDC HBD40 TSVL 1xM25G	1787050000	5
1 x M 32 thread	HDC HBD40 TSVL 1xM32G	1787040000	5
1 x M 32 thread	HDC HBD40 TOVL 1xM32G	1787100000	5
Standard housings, PG thread			
1 x Pg21 complete	HDC-HB-16-TSVL1/21P	1209600000	5
1 x Pg21 sleeve	HDC-HB-16-TSVL1/21	1657850000	5
1 x Pg21 complete	HDC-HB-16-TOVL1/21P	1209500000	5
1 x Pg21 sleeve	HDC-HB-16-TOVL1/21	1657960000	5
1 x Pg21 complete	HDC-HBD-40-TSVL1/21P	1657880000	5
1 x Pg21 sleeve	HDC-HBD-40-TSVL1/21	1657890000	5
1 x Pg29 complete	HDC-HBD-40-TSVL1/29P	1657900000	5
1 x Pg29 sleeve	HDC-HBD-40-TSVL1/29	1657910000	5
1 x Pg21 complete	HDC-HBD-40-TOVL1/21P	1657990000	5
1 x Pg21 sleeve	HDC-HBD-40-TOVL1/21	1658000000	5
1 x Pg29 complete	HDC-HBD-40-TOVL1/29P	1658010000	5
1 x Pg29 sleeve	HDC-HBD-40-TOVL1/29	1658020000	5

TSVL = Plug hood; Side cable entry, end locking lower side
TOVL = Plug hood; Top cable entry, end locking lower side

Base housing HB-16 / HBD-40

End locking with/without cover

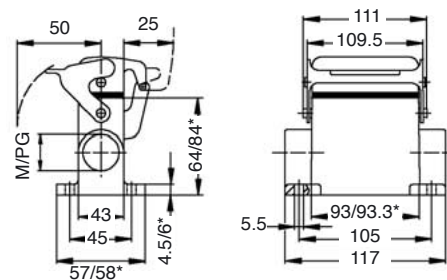


SVL



SDVL

Dimensions



*HB/HBD

Version	Type	Cat. No.	Qty.
Standard housings, metric thread			
2 x M 25 thread	HDC HB16 SVL 2xM25G	1788250000	2
2 x M 25 thread	HDC HBD40 SVL 2xM25G	1787140000	2
2 x M 32 thread	HDC HBD40 SVL 1xM32G	1804660000	2
2 x M 32 thread	HDC HBD40 SVL 2xM32G	1787130000	2
2 x M 25 thread	HDC HB16 SDVL 2xM25G	1788270000	2
2 x M 25 thread	HDC HBD40 SDVL 2xM25G	1787180000	2
2 x M 32 thread	HDC HBD40 SDVL 2xM32G	1787170000	2
Standard housings, PG- thread			
1 x Pg21 complete	HDC-HB-16-SVL1/21P	1209800000	2
1 x Pg21 sleeve	HDC-HB-16-SVL1/21	1658110000	2
2 x Pg21 complete	HDC-HB-16-SVL2/21P	1209900000	2
2 x Pg21 sleeve	HDC-HB-16-SVL2/21	1658120000	2
1 x Pg21 complete	HDC-HB-16-SDVL1/21P	1210200000	2
1 x Pg21 sleeve	HDC-HB-16-SDVL1/21	1658320000	2
2 x Pg21 complete	HDC-HB-16-SDVL2/21P	1210300000	2
2 x Pg21 sleeve	HDC-HB-16-SDVL2/21	1658330000	2
1 x Pg21 complete	HDC-HBD-40-SDVL1/21P	1658370000	2
1 x Pg29 complete	HDC-HBD-40-SDVL1/29P	1658410000	2
2 x Pg29 complete	HDC-HBD-40-SDVL2/29P	1658430000	2

SVL = Base housing, end locking
SDVL = Base housing with cover, end locking

Housings Group Size 6

Coupling hood HB-16 / HBD-40

End locking



KVL

Bulkhead housing HB-16

End locking

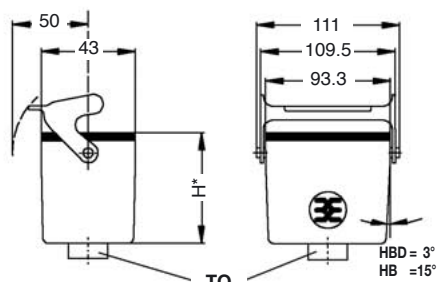


AVL



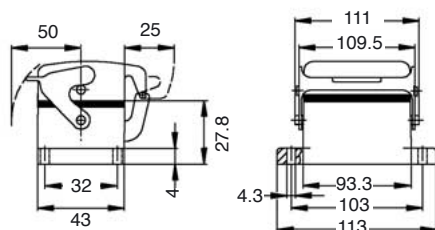
ADVL

Dimensions



*HB = 63.5
HBD = 78.5

Dimensions



Version	Type	Cat. No.	Qty.
Standard housings, metric thread			
1 x M 25 thread	HDC HB16 KVL 1xM25G	1788290000	2
1 x M 25 thread	HDC HBD40 KVL 1xM25G	1787220000	2
1 x M 32 thread	HDC HBD40 KVL 1xM32G	1787210000	2
Standard housings, PG thread			
1 x Pg21 complete	HDC-HB-16-KVL1/21P	1210000000	2
1 x Pg29 complete	HDC-HBD-40-KVL1/29P	1658580000	2

Version	Type	Cat. No.	Qty.
Standard housings			
	HDC-HB-16-AVL	1209700000	5
Standard housings with cover			
	HDC-HB-16-ADVL	1210100000	2

AVL = Bulkhead housing, end locking
ADVL = Bulkhead housing with cover, end locking

KVL = Coupling hood, end locking

For accessories see section "Accessories"

Housings Group Size 6

Plug hood HBD-40

Centre locking



TSVZ

Base housing HB-16 / HBD-40

Centre locking upper side



SVZ

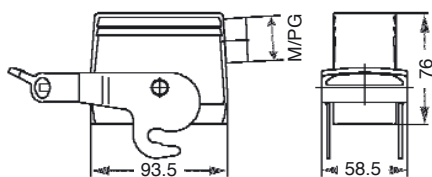
Bulkhead housing HB-16

Centre locking upper side

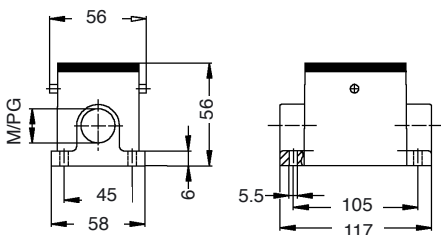


AVZ

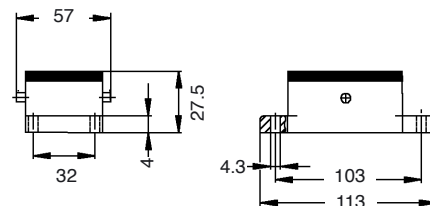
Dimensions



Dimensions



Dimensions



Version	Type	Cat. No.	Qty.
Standard housings, PG thread			
1 x Pg21	complete HDC-HBD-40-TSVZ1/21P	1658680000	2

Version	Type	Cat. No.	Qty.
Standard housings, PG thread			
1 x Pg21	complete HDC-HB-16-SVZ1/21P	1600610000	2
1 x Pg21	sleeve HDC-HB-16-SVZ1/21	1658860000	2
2 x Pg21	complete HDC-HB-16-SVZ2/21P	1658870000	2

Version	Type	Cat. No.	Qty.
Standard housings			
	HDC-HB-16-AVZ	1611360000	2

TSVZ = Plug hood; Side cable entry, centre locking

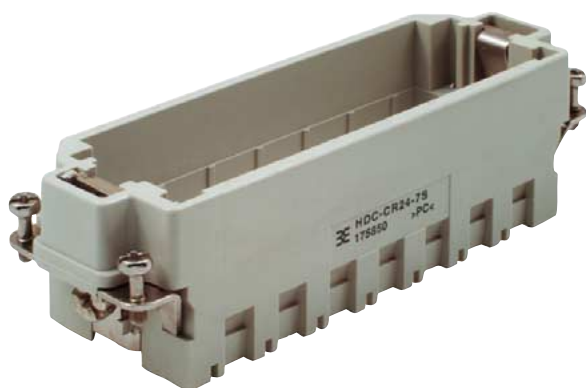
SVZ = Base housing, centre locking

AVZ = Bulkhead housing, centre locking

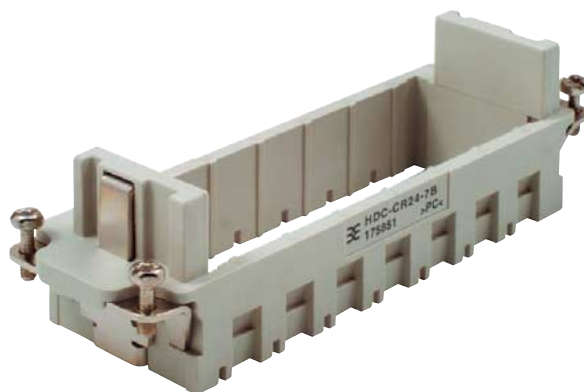
For accessories see section "Accessories"

Frames Group Size 8

Frames CR 24 / 7 modules

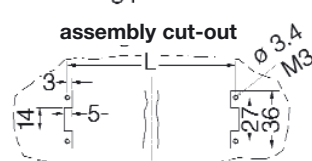
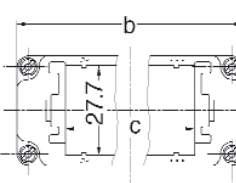
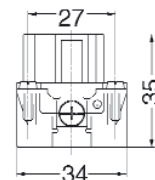
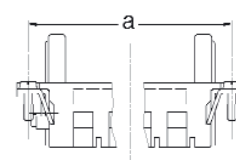
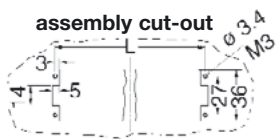
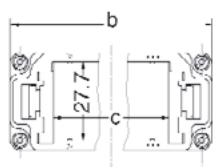
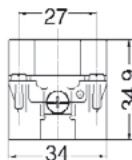
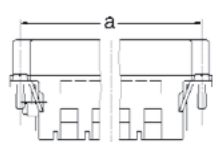


Male frame



Female frame

Dimensions



Colour		Black	Grey								
Version	Type	Cat. No.	Cat. No.	Qty.	a (mm)	b (mm)	c (mm)	L (mm)	Remarks	Group size	
Male	HDC-CR24-7S	1682240000	1758500000	5	104	111	80.5	104	for 7 modules	8 (12)	
Female	HDC-CR24-7B	1682250000	1758510000	5	104	111	80.5	104	for 7 modules	8 (12)	
Male ²⁾	HDC-CR24-7S-2		1758540000	5	104	111	80.5	104	for 7 modules	12	
Female ²⁾	HDC-CR24-7B-2		1758550000	5	104	111	80.5	104	for 7 modules	12	

²⁾ addition markings for the use of two frames in one housing.
2 frames = group size 12.

For accessories see section "Accessories"

Housings Group Size 8

Plug hood HB-24

Side locking lower side

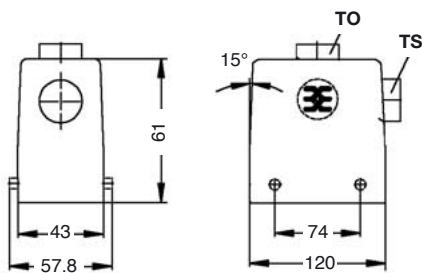


TOVU



TSVU

Dimensions



Version	Type	Cat. No.	Qty.
Standard housings, metric thread			
1 x M 25 thread	HDC HB24 TOVU 1xM25G	1787820000	2
1 x M 32 sleeve	HDC HB24 TSVU 1xM32	1787750000	2
1 x M 25 sleeve	HDC HB24 TSVU 1xM25	1787760000	2
1 x M 32 thread	HDC HB24 TOVU 1xM32G	1787810000	2
Standard housings, PG thread			
1 x Pg21 complete	HDC-HB-24-TSVU1/21P	1212100000	2
1 x Pg21 sleeve	HDC-HB-24-TSVU1/21	1661230000	2
1 x Pg29 complete	HDC-HB-24-TSVU1/29P	1212200000	2
1 x Pg29 sleeve	HDC-HB-24-TSVU1/29	1661240000	2
1 x Pg21 complete	HDC-HB-24-TOVU1/21P	1211900000	2
1 x Pg21 sleeve	HDC-HB-24-TOVU1/21	1661370000	2
1 x Pg29 complete	HDC-HB-24-TOVU1/29P	1212000000	2
1 x Pg29 sleeve	HDC-HB-24-TOVU1/29	1661380000	2

TOVU = Plug hood; Top cable entry, side locking lower side
TSVU = Plug hood; Side cable entry, side locking lower side

Plug hood HBD-64

Side locking lower side / high version

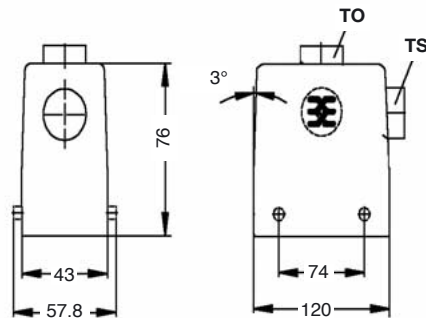


TOVU



TSVU

Dimensions



Version	Type	Cat. No.	Qty.
Standard housings, metric thread			
1 x M 25 thread	HDC HBD64 TSVU 1xM25G	1786780000	2
1 x M 32 thread	HDC HBD64 TSVU 1xM32G	1786770000	2
1 x M 25 thread	HDC HBD64 TOVU 1xM25G	1786840000	2
1 x M 32 thread	HDC HBD64 TOVU 1xM32G	1786830000	2
Standard housings, PG thread			
1 x Pg21 complete	HDC-HBD-64-TSVU1/21P	1661290000	2
1 x Pg21 sleeve	HDC-HBD-64-TSVU1/21	1661300000	2
1 x Pg29 complete	HDC-HBD-64-TSVU1/29P	1661310000	2
1 x Pg29 sleeve	HDC-HBD-64-TSVU1/29	1661320000	2
1 x Pg21 complete	HDC-HBD-64-TOVU1/21P	1661430000	2
1 x Pg21 sleeve	HDC-HBD-64-TOVU1/21	1661440000	2
1 x Pg29 complete	HDC-HBD-64-TOVU1/29P	1661450000	2
1 x Pg29 sleeve	HDC-HBD-64-TOVU1/29	1661460000	2

TOVU = Plug hood; Top cable entry, side locking lower side
TSVU = Plug hood; Side cable entry, side locking lower side

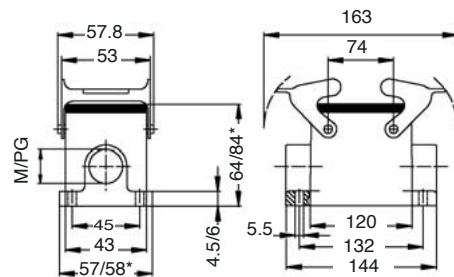
Base housing HB-24 / HBD-64

Side locking



SVU

Dimensions



*HB/HBD

Version	Type	Cat. No.	Qty.
Standard housings, metric thread			
2 x M 25 thread	HDC HB24 SVU 2xM25G	1787870000	2
2 x M 25 thread	HDC HBD64 SVU 2xM25G	1786890000	2
2 x M 32 thread	HDC HBD64 SVU 2xM32G	1786880000	2
Standard housings, PG thread			
1 x Pg21 complete	HDC-HB-24-SVU1/21P	1212500000	2
1 x Pg21 sleeve	HDC-HB-24-SVU1/21	1661510000	2
2 x Pg21 complete	HDC-HB-24-SVU2/21P	1212600000	2
2 x Pg21 sleeve	HDC-HB-24-SVU2/21	1661520000	2
1 x Pg21 complete	HDC-HBD-64-SVU1/21P	1661560000	2
1 x Pg21 sleeve	HDC-HBD-64-SVU1/21	1661570000	2
1 x Pg29 complete	HDC-HBD-64-SVU1/29P	1661600000	2
1 x Pg29 sleeve	HDC-HBD-64-SVU1/29	1661610000	2
2 x Pg21 complete	HDC-HBD-64-SVU2/21P	1661580000	2
2 x Pg21 sleeve	HDC-HBD-64-SVU2/21	1661590000	2
2 x Pg29 complete	HDC-HBD-64-SVU2/29P	1661620000	2
2 x Pg29 sleeve	HDC-HBD-64-SVU2/29	1661630000	2

SVU = Base housing, side locking

For accessories see section "Accessories"

Housings Group Size 8

Coupling hood HB-24 / HBD-64

Side locking

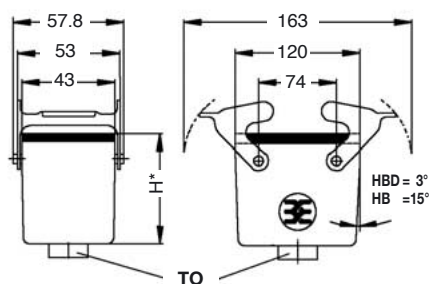


KVU



KVU

Dimensions



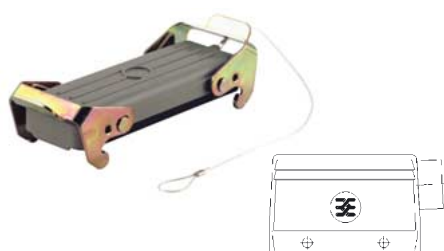
*HB = 63.8
HBD = 78.8

Version	Type	Cat. No.	Qty.
Standard housings, metric thread			
1 x M 25 thread	HDC HB24 KVU 1xM25G	1787920000	2
1 x M 32 thread	HDC HB24 KVU 1xM32G	1787910000	2
1 x M 25 thread	HDC HBD64 KVU 1xM25G	1786970000	2
1 x M 32 thread	HDC HBD64 KVU 1xM32G	1786960000	2
Standard housings, PG thread			
1 x Pg21 complete	HDC-HB-24-KVU1/21P	1212700000	2
1 x Pg21 sleeve	HDC-HB-24-KVU1/21	1661720000	2
1 x Pg29 complete	HDC-HB-24-KVU1/29P	1212800000	2
1 x Pg29 sleeve	HDC-HB-24-KVU1/29	1661730000	2
1 x Pg21 complete	HDC-HBD-64-KVU1/21P	1661780000	2
1 x Pg29 complete	HDC-HBD-64-KVU1/29P	1661800000	2

KVU = Coupling hood, side locking

Cover for plug hood

Cover with cord



Type	Cat. No.	Qty.
Plastic cover		
HDC-HB-24-DT	1665640000	2

For accessories see section "Accessories"

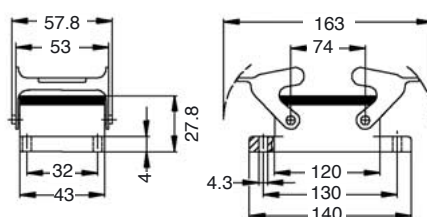
Bulkhead housing HB-24

Side locking



AVU

Dimensions

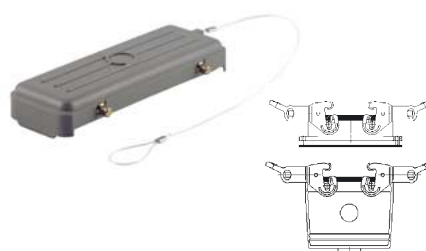


Version	Type	Cat. No.	Qty.
Standard housings			
	HDC-HB-24-AVU	1212400000	2

AVU = Bulkhead housing, side locking

Cover for lower side with side locking

Cover with cord



Type	Cat. No.	Qty.
Plastic cover		
HDC-HB-24-DB	1665630000	2

Housings Group Size 8

Plug hood HB-24 / HBD-64

Side locking upper side

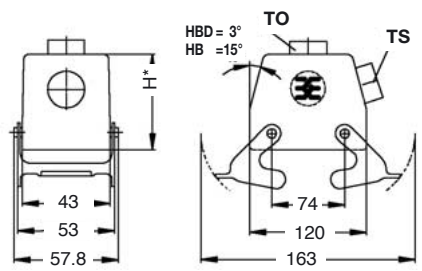


TOVO



TSVO

Dimensions



*HB = 61
HBD= 76

Version	Type	Cat. No.	Qty.
Standard housings, metric thread			
1 x M 25 sleeve	HDC HB24 TSVO 1xM25	1787780000	2
1 x M 32 sleeve	HDC HB24 TSVO 1xM32	1787770000	2
1 x M 25 thread	HDC HB24 TOVO 1xM25G	1787840000	2
1 x M 32 thread	HDC HB24 TOVO 1xM32G	1787830000	2
1 x M 25 thread	HDC HBD64 TOVO 1xM25G	1786850000	2
1 x M 32 thread	HDC HBD64 TOVO 1xM32G	1804670000	2
1 x M 25 thread	HDC HBD64 TSVO 1xM25G	1786800000	2
1 x M 32 thread	HDC HBD64 TSVO 1xM32G	1786790000	2
Standard housings, PG thread			
1 x Pg21 complete	HDC-HB-24-TSVO1/21P	1213100000	2
1 x Pg21 sleeve	HDC-HB-24-TSVO1/21	1661860000	2
1 x Pg29 complete	HDC-HB-24-TSVO1/29P	1661870000	2
1 x Pg29 sleeve	HDC-HB-24-TSVO1/29	1661880000	2
1 x Pg21 complete	HDC-HB-24-TOVO1/21P	1212900000	2
1 x Pg21 sleeve	HDC-HB-24-TOVO1/21	1662010000	2
1 x Pg29 complete	HDC-HB-24-TOVO1/29P	1213000000	2
1 x Pg29 sleeve	HDC-HB-24-TOVO1/29	1662020000	2
1 x Pg21 complete	HDC-HBD-64-TOVO1/21P	1662070000	2
1 x Pg21 sleeve	HDC-HBD-64-TOVO1/21	1662080000	2
1 x Pg29 complete	HDC-HBD-64-TOVO1/29P	1662090000	2
1 x Pg29 sleeve	HDC-HBD-64-TOVO1/29	1662100000	2
1 x Pg21 complete	HDC-HBD-64-TSVO1/21P	1661930000	2
1 x Pg21 sleeve	HDC-HBD-64-TSVO1/21	1661940000	2
1 x Pg29 complete	HDC-HBD-64-TSVO1/29P	1661950000	2
1 x Pg29 sleeve	HDC-HBD-64-TSVO1/29	1661960000	2

TOVO = Plug hood; Top cable entry, side locking
TSVO = Plug hood; Side cable entry, side locking

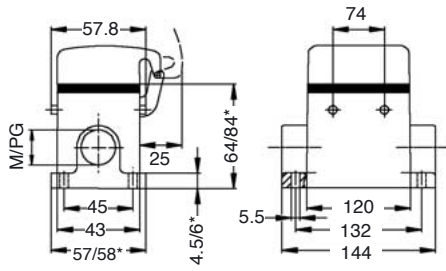
Base housing HB-24 / HBD-64

Side locking upper side Group size 8



SDVO

Dimensions



*HB/HBD

Version	Type	Cat. No.	Qty.
Standard housings with cover, metric thread			
2 x M 25 thread	HDC HB24 SDVO 2xM25G	1787890000	2
2 x M 25 thread	HDC HBD64 SDVO 2xM25G	1786930000	2
2 x M 32 thread	HDC HBD64 SDVO 2xM32G	1786920000	2
Standard housings with cover, metric thread			
1 x Pg21 complete	HDC-HB-24-SDVO1/21P	1213400000	2
1 x Pg21 sleeve	HDC-HB-24-SDVO1/21	1662170000	2
2 x Pg21 complete	HDC-HB-24-SDVO2/21P	1213500000	2
2 x Pg21 sleeve	HDC-HB-24-SDVO2/21	1662180000	2
1 x Pg29 complete	HDC-HBD-64-SDVO1/29P	1662270000	2
1 x Pg29 sleeve	HDC-HBD-64-SDVO1/29	1662280000	2
2 x Pg21 complete	HDC-HBD-64-SDVO2/21P	1662250000	2

SDVO = Base housing with cover, side locking upper side

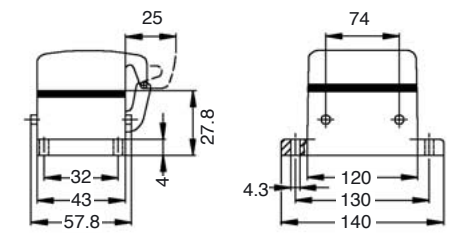
Bulkhead housing HB-24

Side locking upper side Group size 8



ADVO

Dimensions

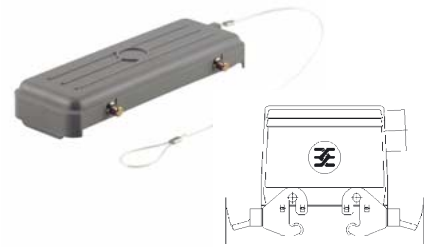


Version	Type	Cat. No.	Qty.
Standard housings with cover			
	HDC-HB-24-ADVO	1213300000	2

ADVO = Bulkhead housing with cover, side locking upper side

Cover for plug hood with side locking

Cover with cord



Type	Cat. No.	Qty.
Plastic cover		
HDC-HB-24-DBP	1665650000	2

For accessories see section "Accessories"

Housings Group Size 8

Plug hood HB-24

End locking lower side

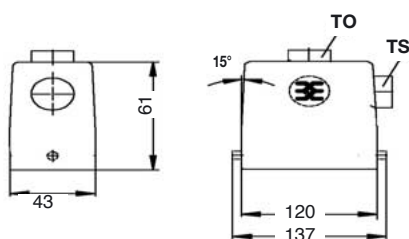


TOVL



TSVL

Dimensions



Version	Type	Cat. No.	Qty.
Standard housings, metric thread			
1 x M 25 sleeve	HDC HB24 TSVL 1xM25	1787800000	2
1 x M 32 sleeve	HDC HB24 TSVL 1xM32	1787790000	2
1 x M 25 thread	HDC HB24 TOVL 1xM25G	1787860000	2
1 x M 32 thread	HDC HB24 TOVL 1xM32G	1787850000	2
Standard housings, PG thread			
1 x Pg21 complete	HDC-HB-24-TSVL1/21P	1213800000	2
1 x Pg21 sleeve	HDC-HB-24-TSVL1/21	1662390000	2
1 x Pg29 complete	HDC-HB-24-TSVL1/29P	1662400000	2
1 x Pg29 sleeve	HDC-HB-24-TSVL1/29	1662410000	2
1 x Pg21 complete	HDC-HB-24-TOVL1/21P	1213600000	2
1 x Pg21 sleeve	HDC-HB-24-TOVL1/21	1662540000	2
1 x Pg29 complete	HDC-HB-24-TOVL1/29P	1213700000	2
1 x Pg29 sleeve	HDC-HB-24-TOVL1/29	1662550000	2

TOVL Plug hood; Top cable entry, end locking lower side
TSVL = Plug hood; Side cable entry, end locking lower side

Plug hood HBD-64

End locking lower side / high version

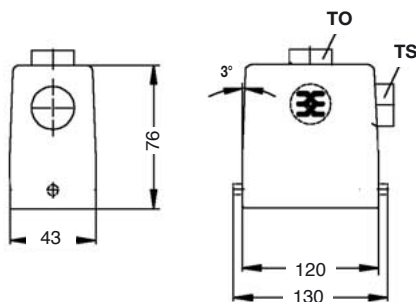


TOVL



TSVL

Dimensions



Version	Type	Cat. No.	Qty.
Standard housings, metric thread			
1 x M 25 thread	HDC HBD64 TSVL 1xM25G	1786820000	2
1 x M 32 thread	HDC HBD64 TSVL 1xM32G	1786810000	2
1 x M 25 thread	HDC HBD64 TOVL 1xM25G	1786870000	2
1 x M 32 thread	HDC HBD64 TOVL 1xM32G	1786860000	2
Standard housings, PG thread			
1 x Pg21 complete	HDC-HBD-64-TSVL1/21P	1662460000	2
1 x Pg21 sleeve	HDC-HBD-64-TSVL1/21	1662470000	2
1 x Pg29 complete	HDC-HBD-64-TSVL1/29P	1662480000	2
1 x Pg29 sleeve	HDC-HBD-64-TSVL1/29	1662490000	2
1 x Pg29 complete	HDC-HBD-64-TOVL1/29P	1662620000	2
1 x Pg29 sleeve	HDC-HBD-64-TOVL1/29	1662630000	2

TOVL Plug hood; Top cable entry, end locking lower side
TSVL = Plug hood; Side cable entry, end locking lower side

Base housing HB-24 / HBD-64

End locking / with/without cover

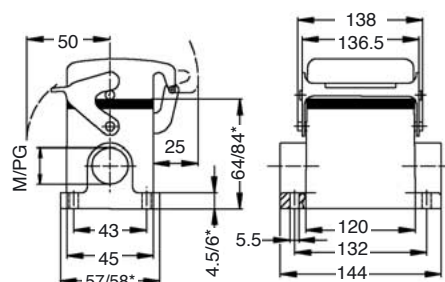


SVL



SDVL

Dimensions



*HB/HBD

Version	Type	Cat. No.	Qty.
Standard housings, metric thread			
2 x M 25 thread	HDC HB24 SVL 2xM25G	1787880000	2
2 x M 25 thread	HDC HBD64 SVL 2xM25G	1786910000	2
2 x M 32 thread	HDC HBD64 SVL 2xM32G	1786900000	2
2 x M 25 thread	HDC HBD64 SDVL 2xM25G	1786950000	2
2 x M 32 thread	HDC HBD64 SDVL 2xM32G	1786940000	2
Standard housings with cover, metric thread			
2 x M 25 thread	HDC HB24 SDVL 2xM25G	1787900000	2
Standard housings, PG thread			
1 x Pg21 complete	HDC-HB-24-SVL1/21P	1214000000	2
1 x Pg21 sleeve	HDC-HB-24-SVL1/21	1662710000	2
2 x Pg21 complete	HDC-HB-24-SVL2/21P	1214100000	2
2 x Pg21 sleeve	HDC-HB-24-SVL2/21	1662720000	2
2 x Pg21 complete	HDC-HBD-64-SVL2/21P	1662780000	2
Standard housings with cover, PG thread			
1 x Pg21 complete	HDC-HB-24-SDVL1/21P	1214400000	2
1 x Pg21 sleeve	HDC-HB-24-SDVL1/21	1662920000	2
2 x Pg21 complete	HDC-HB-24-SDVL2/21P	1214500000	2
2 x Pg29 sleeve	HDC-HBD-64-SDVL2/29	1663040000	2
1 x Pg21 complete	HDC-HBD-64-SDVL1/21P	1662970000	2
1 x Pg29 complete	HDC-HBD-64-SDVL1/29P	1663010000	2

SVL = Base housing, end locking
SDVL = Base housing with cover, end locking

For accessories see section "Accessories"

Housings Group Size 8

Coupling hood HB-24 / HBD-64

End locking



KVL

Bulkhead housing HB-24

End locking, with/without cover

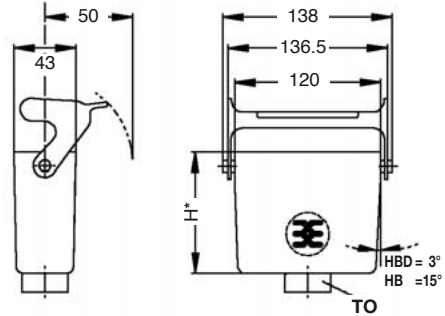


AVL



ADVL

Dimensions

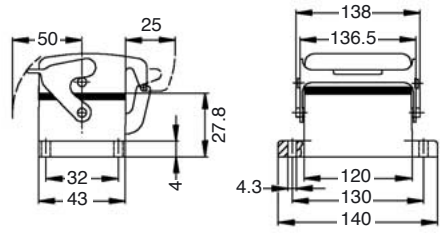


*HB = 63.8
HBD = 78.8

Version	Type	Cat. No.	Qty.
Standard housings, metric thread			
1 x M 25 thread	HDC HB24 KVL 1xM25G	1787940000	2
1 x M 32 thread	HDC HB24 KVL 1xM32G	1787930000	2
1 x M 25 thread	HDC HBD64 KVL 1xM25G	1786990000	2
1 x M 32 thread	HDC HBD64 KVL 1xM32G	1786980000	2
Standard housings, PG thread			
1 x Pg21 complete	HDC-HB-24-KVL1/21P	1663130000	2
1 x Pg29 complete	HDC-HB-24-KVL1/29P	1214200000	2
1 x Pg29 complete	HDC-HBD-64-KVL1/29P	1663220000	2

KVL = Coupling hood, end locking

Dimensions



Version	Type	Cat. No.	Qty.
Standard housings			
	HDC-HB-24-AVL	1213900000	2
Standard housings with cover			
	HDC-HB-24-ADVL	1214300000	2

AVL = Bulkhead housing, end locking

ADVL = Bulkhead housing with cover, end locking

For accessories see section "Accessories"

Housings Group Size 8

Plug hood HBD-64

Centre locking



TSVZ

Base housing HB-24

Centre locking upper side



SVZ

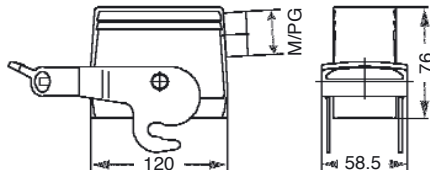
Bulkhead housing HB-24

Centre locking

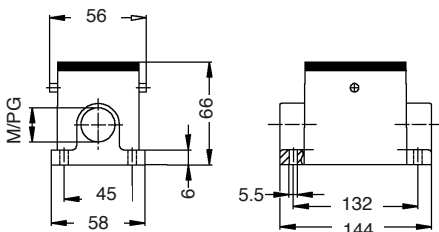


AVZ

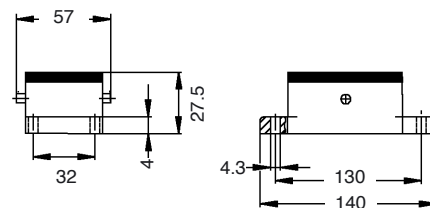
Dimensions



Dimensions



Dimensions



Version	Type	Cat. No.	Qty.
Standard housings, metric thread			
1 x Pg21	complete HDC-HBD-64-TSVZ1/21P	1663360000	2
1 x Pg29	complete HDC-HBD-64-TSVZ1/29P	1603510000	2
1 x Pg29	sleeve HDC-HBD-64-TSVZ1/29	1663390000	2

Version	Type	Cat. No.	Qty.
Standard housings, PG thread			
1 x Pg21	complete HDC-HB-24-SVZ1/21P	1600620000	2

Version	Type	Cat. No.	Qty.
Standard housings			
	HDC-HB-24-AVZ	1611350000	2

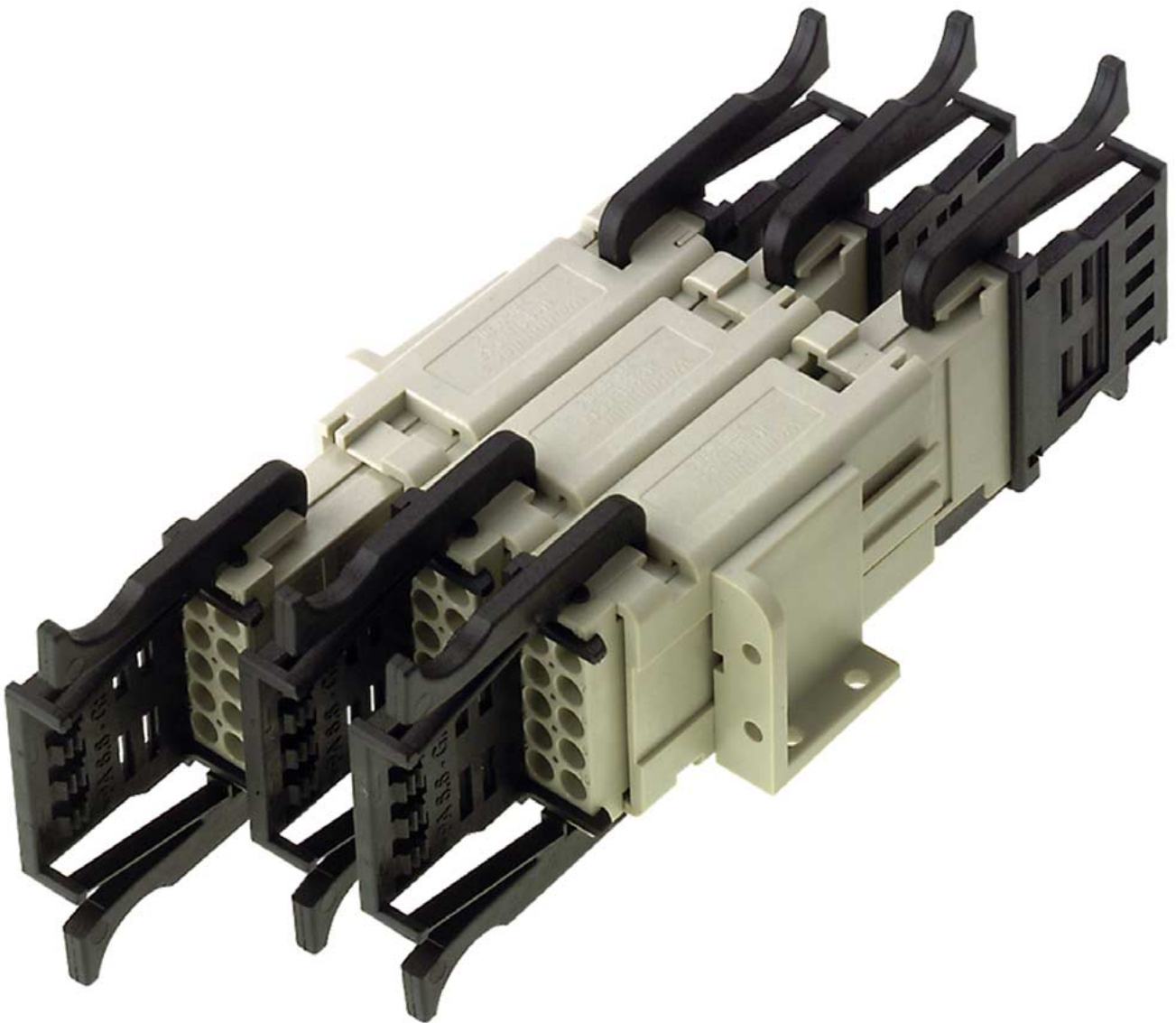
TSVZ = Plug hood; Side cable entry, centre locking

SVZ = Base housing, centre locking

AVZ = Bulkhead housing, centre locking

For accessories see section "Accessories"

ModuFlex C



ModuFlex C

Coupling frames and connector modules of the ConCept System

Together with the modules of the modular ConCept connector system, the ModuFlex C coupling system offers a universal flexible and low-cost solution for indoor applications (IP 20 protection class).

3- to 20-pole male and female ConCept modules with identical pole numbers can be installed in coupling frames. As many as 5 coupling frames can be latched together via the groove and tongue system. Depending on the task that the ConCept modules have to fulfil, as many as 100 signal transmissions can be carried out by one connector; whereby it is possible to plug or unplug the modules, individually as required.

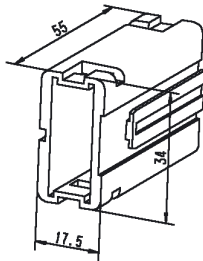
Thanks to the removal tool/strain relief and the latched assembly brackets, ModuFlex C and the male and female modules of the ConCept system provide a large variety of universal combinations to suit all imaginable connector constellations.

Benefits:

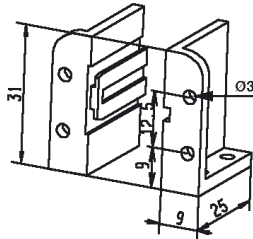
- modular connectors without expensive metal housings
- extremely versatile due to a large variety of options for practical combinations
- signal and power modules can be kept separate in the individual coupling frames
- protection against incorrect wiring when separately plugging or pulling the modules is guaranteed
- coupling frames can be mounted on TS 32 and TS 35 mounting rails via fixing feet
- depending on module, useable with or without module removal tool/strain relief

ModuFlex C

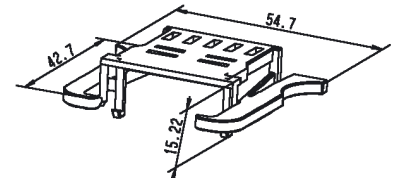
ModuFlex C-CR Coupling frame



ModuFlex C-MW Assembly angle



ModuFlex C-MH/ZE Module removal tool/strain relief



Ordering data

Type / Colour	Cat. No.	Qty.
ModuFlex C-CR grey	1746060000	10

Type / Colour	Cat. No.	Qty.
ModuFlex C-MW grey	1746070000	10

Type / Colour	Cat. No.	Qty.
ModuFlex C-MH/ZE black	1752970000	10

Delivery incl. left and right assembly bracket

Technical data

Materials data	
Insulation material	
Colour	
Temperature range	°C
Flammability class	

Characteristic system values	
Max. number of parts attachable	
Misalignment protection	
Hole diameter	mm
Extraction force of each module from coupling frame	N

Approvals	

Weidmüller connectors are tested according to DIN VDE 0627 standard, and are valid for the appropriate fields of applications. Provided the connectors are used for the intended purpose, all requirements with respect to the occurrences of electrical, mechanical, thermic and corrosive stresses will be met. Connectors are not allowed to be operated under loading.

Coupling frame / assembly angle	
PC	
Grey (RAL 7032)	
-40...+120	
UL 94 V-0	

5 coupling frames with male/female module
Given
3 (at the assembly bracket)
>170

Approvals	
On request	

Please refer to page 184 for technical details of the respective modules of the ConConcept modular connection system.

Module removal tool / strain relief	
PA	
Black	
-40...+120	
UL 94 V-2	

1 MH/ZE per module
-
-
-

Approvals	
On request	

Accessories

Type	Cat. No.	Qty.
Screw¹⁾		
PTSC KB 30 x 6	1766120000	100
Distance bolt²⁾		
Spacer M3x27+KLSC-KIT	1766130000	1
Mounting foot³⁾		
MOFU	0495660000	20

¹⁾ **Phillips screw** for securing the coupling on the mounting foot, on front or back panel, or on a flat surface.

²⁾ M3 x 27 **distance bolt** and M3 x 8 clamping screw comes in a set. For the installation of the coupling on flat surfaces. 1 package unit contains 80 screws and 40 distance bolts, each individually packed in plastic bags.

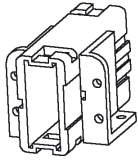
³⁾ **Mounting foot** without hole for mounting rail TS 35 x 7,5 and TS 35 x 15. Insulation material is PA, colour is orange.

Crimp contacts

Crimp contacts must be ordered separately. A brass alloy forms the basis of the turned and stamped contacts. Contact surfaces are available in gold or silver. Stamped contacts are available with gold coating. The male and female inserts are available in turned and stamped versions. Select the crimp contacts you require.

ModuFlex C

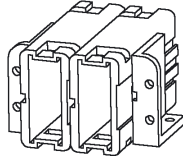
Coupling frame 1-fold



Ordering data

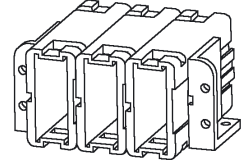
Type	Cat. No.
ModuFlex C-KITo.M.MW-1F	1765570000
1 coupling frame (1 coupling frame + 1 right and 1 left assembly bracket)	

Coupling frame 2-fold



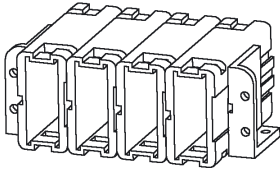
Type	Cat. No.
ModuFlex C-KITo.M.MW-2F	1765580000
2 coupling frames (1 coupling frame + 1 right and 1 left assembly bracket)	

Coupling frame 3-fold



Type	Cat. No.
ModuFlex C-KITo.M.MW-3F	1765590000
3 coupling frames (1 coupling frame + 1 right and 1 left assembly bracket)	

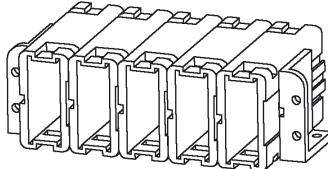
Coupling frame 4-fold



Ordering data

Type	Cat. No.
ModuFlex C-KITo.M.MW-4F	1765600000
4 coupling frames (1 coupling frame + 1 right and 1 left assembly bracket)	

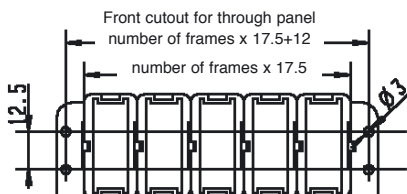
Coupling frame 5-fold



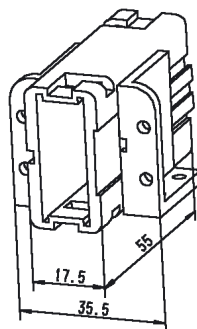
Type	Cat. No.
ModuFlex C-KITo.M.MW-5F	1765610000
5 coupling frames (1 coupling frame + 1 right and 1 left assembly bracket)	

Panel cut out drawings

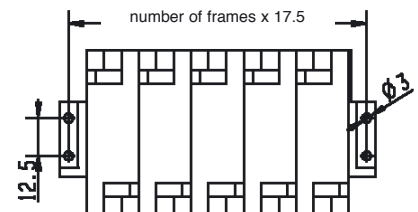
Cut-out for front and back plate through panel applications



Assembly dimensions of the coupling frame with assembly bracket



Drilling dimensions for mounting on a flat surface or plate



ModuFlex C

ModuFlex C

Coupling frame and connector modules of the ConCept system

This Weidmüller solution, which allows the separate insertion and removal of connector modules at any time, is unique on the market for industrial connectors. Indeed, it can be considered to be revolutionary in the field of modular industrial connectors. Together with the universal usability in the application, this solution is unique to the market of industry connectors and can be considered as being revolutionary for modular connectors. It offers a solution for almost every imaginable application in the IP 20 protection class; thus uniting the benefits of the modular ConCept system.

Applications:

- as a through-panel connector in front or back panel
- as a coupling in the cable duct
- for construction on a flat surface
- for construction on mounting rails

The user-friendly and low-cost solution...

Coupling frames are available with latched mounting brackets, and corresponding number of partly pre-assembled in a practical **set**, **under one article number**.

Application examples



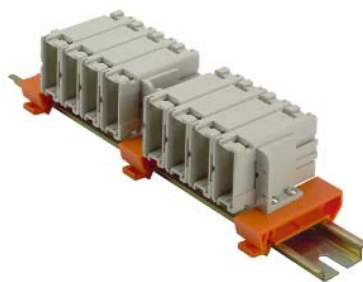
ModuFlex C as through-panel connector in the front or back panel



ModuFlex C as coupling in the cable duct

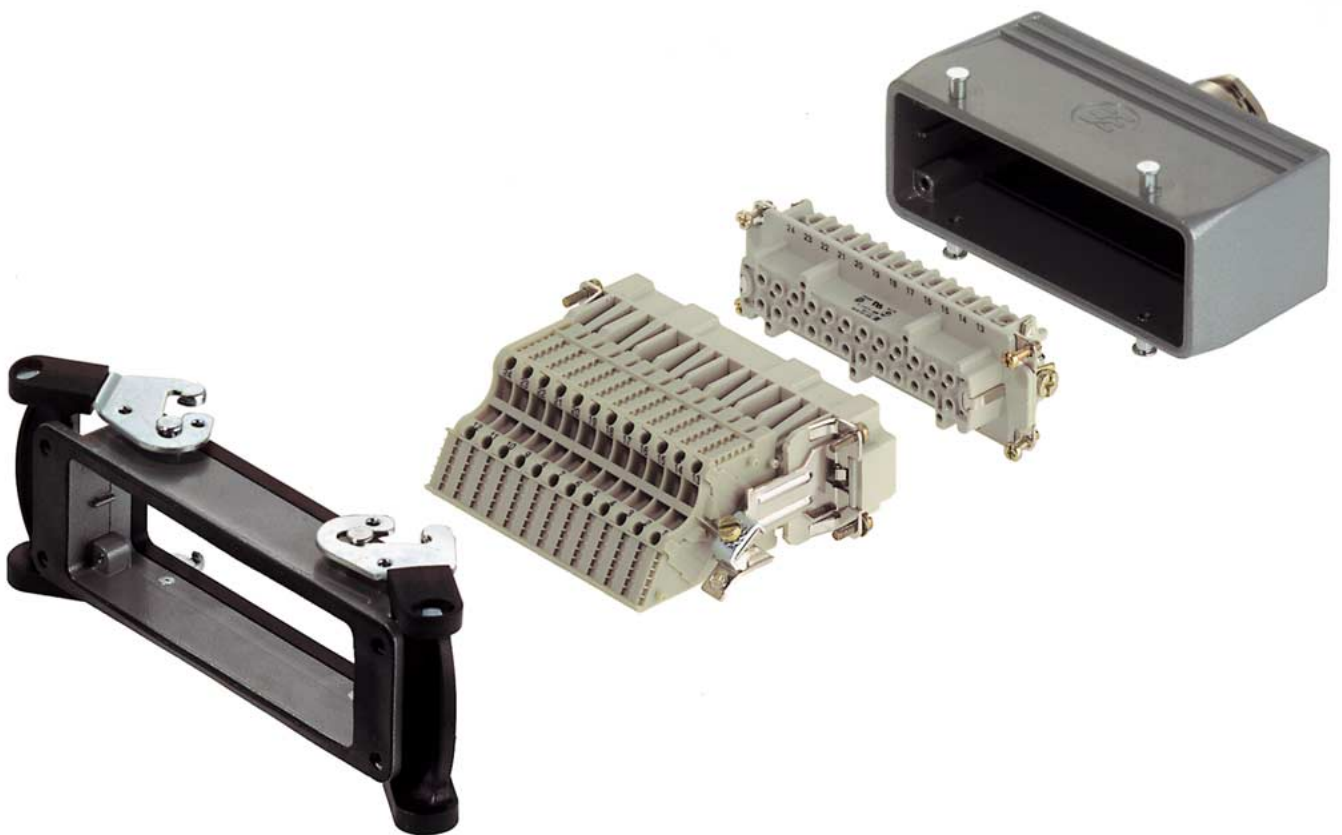


ModuFlex C for mounting on a flat surface



ModuFlex C for mounting on TS 32 / TS 35 mounting rails

HDC-Kits



HDC-Kits

Heavy duty connectors

are available as complete kits, suitable for the most prevalent applications.

Each kit, supplied in sets for easy storage, is composed of:

- male inserts and matching female inserts (each with screw connections)
- plug hoods
- bulkhead housings

Please refer to the following pages for the relevant ordering data.

HDC-Kits Series HA 3-Pole / HA 4-Pole

HA 3-pole

400 V • 10 A



1498100000



1498100000



1498100000



1498100000



1498200000



1498200000



1498200000



1498200000



1498500000



1652370000



1498500000



1652370000



1497600000



1652410000



1497700000



1652420000

Screw connection HA-3

3-pole / 400 V / max. 10 A

Group size 1

Version	Type	Cat. No.	Qty.
Female	HDC-HA-3BS	1498200000	1
Male	HDC-HA-3SS	1498100000	1

Plug hood HA-3/HAD-7

End locking

Group size 1

Version	Type	Cat. No.	Qty.
---------	------	----------	------

Metal housing

1 x Pg 11 complete	HDC-HA-3-TOVL1/11P	1498500000	1
--------------------	--------------------	------------	---

1 x Pg 11 complete	HDC-HAD-7-TOVL1/11P	1652370000	1
--------------------	---------------------	------------	---

Bulkhead housing HA-3/HAD-7

End locking

Group size 1

Version	Type	Cat. No.	Qty.
---------	------	----------	------

Metal housing	HDC-HA-3-AVL	1497600000	1
----------------------	--------------	------------	---

Plastic housing	HDC-HAD-7-AVL	1652410000	1
------------------------	---------------	------------	---

Bulkhead housing HA-3/HAD-7

End locking

Group size 1

Version	Type	Cat. No.	Qty.
---------	------	----------	------

Metal housing	HDC-HA-3-AWWL	1497700000	1
----------------------	---------------	------------	---

Plastic housing	HDC-HAD-7-AWWL	1652420000	1
------------------------	----------------	------------	---

HDC-KIT-HA 03.300

Version:

Metal housing

Cat. No. 1712560000

HDC-KIT-HA 03.301

Version:

Plastic housing

Cat. No. 1712570000

HDC-KIT-HA 03.302

Version:

Metal housing

Cat. No. 1712580000

HDC-KIT-HA 03.404

Version:

Plastic housing

Cat. No. 1712630000

HA 4-pole

400 V • 10 A



1498300000



1498300000



1498300000



1498300000



1498400000



1498400000



1498400000



1498400000



1498500000



1652370000



1498500000



1652370000



1497600000



1652410000



1497700000



1652420000

Screw connection HA-4

4-pole / 400 V / max. 10 A

Group size 1

Version	Type	Cat. No.	Qty.
Female	HDC-HA-4BS	1498400000	1
Male	HDC-HA-4SS	1498300000	1

Plug hood HA-3/HAD-7

End locking

Group size 1

Version	Type	Cat. No.	Qty.
---------	------	----------	------

Metal housing

1 x PG 11	complete	HDC-HA-3-TOVL1/11P	1498500000	1
-----------	----------	--------------------	------------	---

1 x PG 11	complete	HDC-HAD-7-TOVL1/11P	1652370000	1
-----------	----------	---------------------	------------	---

Bulkhead housing HA-3/HAD-7

End locking

Group size 1

Version	Type	Cat. No.	Qty.
---------	------	----------	------

Metal housing	HDC-HA-3-AVL	1497600000	1
----------------------	--------------	------------	---

Plastic housing	HDC-HAD-7-AVL	1652410000	1
------------------------	---------------	------------	---

Bulkhead housing, angled HA-3/HAD-7

End locking

Group size 1

Version	Type	Cat. No.	Qty.
---------	------	----------	------

Metal housing	HDC-HA-3-AWWL	1497700000	1
----------------------	---------------	------------	---

Plastic housing	HDC-HAD-7-AWWL	1652420000	1
------------------------	----------------	------------	---

HDC-KIT-HA 04.400

Version:

Metal housing

Cat. No. 1712590000

HDC-KIT-HA 04.401

Version:

Plastic housing

Cat. No. 1712600000

HDC-KIT-HA 04.402

Version:

Metal housing

Cat. No. 1712610000

HDC-KIT-HA 04.406

Version:

Plastic housing

Cat. No. 1712650000

HDC-Kits Series HE 6-Pole / HE 10-Pole

HE 6-pole

500 V • 16 A for HE standard / 380 VAC • 16 A when used with DSTVK



1200000000



1200000000



1200000000



1200020000



1200020000



1290100000



1652510000



1652630000



1652510000



1202100000



1202100000



1202100000

HDC-KIT-HE 06.100

Version:

Metal housing

Cat. No. **1712460000**

HDC-KIT-HE 06.101

Version:

Metal housing

Cat. No. **1712660000**

HDC-KIT-HE 06.200

Version:

Metal housing

Cat. No. **1712700000**

Screw connection HE-6

6-pole / 500 V / max. 16 A

Group size 3

Version	Type	Cat. No.	Qty.
Female	HDC-HE-6BS	1200200000	1
Male	HDC-HE-6SS	1200000000	1

Screw connection DSTV-K-6

6-pole / 380 V~/450 V-/
max. 16 A /

Group size 3

Version	Type	Cat. No.	Qty.
Female	DSTV-K-BL 6	1290100000	1

Plug hood series HB-6

End locking

Group size 3

Version	Type	Cat. No.	Qty.
---------	------	----------	------

Standard housings

1 x Pg16 complete	HDC-HB-6-TSVL1/16P	1652510000	1
1 x Pg16 complete	HDC-HB-6-TOVL1/16P	1652630000	1

Bulkhead housing series HB-6

End locking

Group size 3

Version	Type	Cat. No.	Qty.
---------	------	----------	------

Standard housings HDC-HB-6-AVL **1202100000** 1

HE 10-pole

500 V • 16 A for HE standard / 380 VAC • 16 A when used with DSTVK



1203900000



1203900000



1203900000



1204100000



1204100000



1290200000



1204800000



1204700000



1204800000



1205000000



1205000000



1205000000

HDC-KIT-HE 10.110

Version: Metal housing

Cat. No. **1712510000**

HDC-KIT-HE 10.111

Version: Metal housing

Cat. No. **1712670000**

HDC-KIT-HE 10.210

Version: Metal housing

Cat. No. **1712710000**

Screw connection HE 10

10-pole / 500 V / max 16 A

Group size 4

Version / type	Cat. No.	Qty.
Male / HDC-HE-10SS	1203900000	1
Female / HDC-HE-10BS	1204100000	1

Screw connection DSTV-K-10

10-pole / 380 V~/450 V-/max. 16 A

Group size 4

Version / type	Cat. No.	Qty.
Female DSTV-K-BL 10	1290200000	1

Plug hood series HB-10

Side locking lower side

Group size 4

Version	Cat. No.	Qty.
---------	----------	------

Standard housings

1 x Pg16 complete	HDC-HB-10-TSVU1/16P	1204800000	1
1 x Pg16 complete	HDC-HB-10-TOVU1/16P	1204700000	1

Bulkhead housing series HB-10

Side locking lower side

Group size 4

Version	Type	Cat. No.	Qty.
---------	------	----------	------

Standard housings HDC-HB-10-AVU **1205000000** 1

HDC-Kits Series HE 16-Pole / HE 24-Pole

HE 16-pole

500 V • 16 A for HE standard / 380 VAC • 16 A when used with DSTVK



1207500000



1207500000



1207500000



1207700000



1207700000



1290300000



1208400000



1208300000



1208400000



1208600000



1208600000



1208600000

HDC-KIT-HE 16.120

Version:
Metal housing
Cat. No. 1712520000

HDC-KIT-HE 16.121

Version:
Metal housing
Cat. No. 1712680000

HDC-KIT-HE 16.220

Version:
Metal housing
Cat. No. 1712720000

Screw connection HE 16

16-pole / 500 V / max 16 A		Group size 6	
Version	Type	Cat. No.	Qty.
Male	HDC-HE-16SS	1207500000	1
Female	HDC-HE-16BS	1207700000	1

Screw connection DSTV-K-16

16-pole / 380 V-/450 V-/max. 16 A		Group size 6	
Version / type		Cat. No.	Qty.
Female	DSTV-K-BL 16	1290300000	1

Plug hood series HB-10

Side locking lower side		Group size 6	
Version / type		Cat. No.	Qty.

Standard housings

1 x Pg16 complete			
HDC-HB-16-TSVU1/21P		1208400000	1
1 x Pg21 complete			
HDC-HB-16-TOVU1/21P		1208300000	1

Bulkhead housing series HB-16

Side locking lower side		Group size 6	
Version	Type	Cat. No.	Qty.

Standard housings	HDC-HB-16-AVU	1208600000	1
-------------------	---------------	------------	---

HE 24-pole

500 V • 16 A for HE standard / 380 VAC • 16 A when used with DSTVK



1211100000



1211100000



1211100000



1211300000



1211300000



1290400000



1212100000



1211900000



1212100000



1212400000



1212400000



1212400000

HDC-KIT-HE 24.130

Version:
Metal housing
Cat. No. 1712530000

HDC-KIT-HE 24.131

Version:
Metal housing
Cat. No. 1712690000

HDC-KIT-HE 24.230

Version:
Metal housing
Cat. No. 1712730000

Screw connection series HE-24

24-pole 500 V / max 16 A		Group size 8	
Version / type		Cat. No.	Qty.
Male / HDC-HE-24SS		1211100000	
Female / HDC-HE-24BS		1211300000	

Screw connection series DSTV-K-24

24-pole 380 V-/450 V-/max 16 A		Group size 8	
Version / type		Cat. No.	Qty.
Female	DSTV-K-BL 24	1290400000	

Plug hood series HB-24

Side locking lower side		Group size 8	
Version / type		Cat. No.	Qty.

Standard housings

1 x Pg21 complete			
HDC-HB-24-TSVU1/21P		1212100000	
1 x Pg21 complete			
HDC-HB-24-TOVU1/21P		1211900000	

Bulkhead housing series HB-24

Side locking lower side		Group size 8	
Version / type		Cat. No.	Qty.

Standard housings

HDC-HB-24-AVU		1212400000	
---------------	--	------------	--

HDC-Kits Series HE 32-Pole / HE 48-Pole / HSB 6-Pole

**HE 32-pole • 500 V
16 A**

**HE 48-pole • 500 V
16 A**



1207500000+1215700000



1207700000+1216100000



1217500000



1217800000

HDC-KIT-HE 32.140
Version: Metal housing
Cat. No. **1712540000**



1211100000+1220800000



1211300000+1221200000



1222600000



1222900000

HDC-KIT-HE 48.150
Version: Metal housing
Cat. No. **1712550000**

Version / type	Cat. No.	Qty.
Male / HDC-HE-16SS	1207500000	
Male / HDC-HE-16SS 17-32	1215700000	
Male / HDC-HE-24SS	1211100000	
Male / HDC-HE-24SS 25-48	1220800000	
Female / HDC-HE-16BS	1207700000	
Female / HDC-HE-16BS 17-32	1216100000	
Female / HDC-HE-24BS	1211300000	
Female / HDC-HE-24BS 25-48	1221200000	

Plug hood series HB-32

Version / type	Cat. No.	Qty.	Group size 10
Side locking lower side			

Standard housings

1 x Pg29 complete			
HDC-HB-32-TSVU1/29P	1217500000		1

Plug hood series HB-48

Version / type	Cat. No.	Qty.	Group size 12
End locking lower side			

Standard housings

1 x Pg29 complete			
HDC-HB-48-TSVL1/29P	1222600000		1

Bulkhead housing series HB-32

Version / type	Cat. No.	Qty.	Group size 10
Side locking lower side			

Standard housings

HDC-HB-32-AVU	1217800000		1
---------------	-------------------	--	---

Bulkhead housing series HB-48

Version / type	Cat. No.	Qty.	Group size 12
Side locking lower side			

Standard housings with cover

HDC-HB-48-ADVL	1222900000		1
----------------	-------------------	--	---

**HSB 6-pole • 400 V
35 A**



1498700000



1498900000



1208400000



1208600000

HDC-KIT-HSB 06.500
Version: Metal housing
Cat. No. **1724000000**

Screw connection series HSB-6

6-pole 400 V / max 35 A **Group size 6**

Version / type	Cat. No.	Qty.
Male / HDC-HSB-6SS	1498700000	
Female / HDC-HSB-6BS	1498900000	

Bulkhead housing series HB-16

Version / type	Cat. No.	Qty.	Group size 6
Side locking lower side			

Standard housings

1 x PG21 complete HDC-HB-16-TSVU 1/21P			
HDC-HB-16-AVU	1208400000		1

Bulkhead housing series HB-16

Version / type	Cat. No.	Qty.	Group size 6
Side locking lower side			

Standard housings

HDC-HB-16-AVU	1208600000		1
---------------	-------------------	--	---

HDC-Kits Metric HA 3-Pole / HA 4-Pole

NEW

HA 3-pole

400 V • 10 A



HDC-KIT-HA 03.300 M Version: Metal housing Cable gland M 20 Cat. No. 1802470000	HDC-KIT-HA 03.301 M Version: *Plastic housing Cable gland M 20 Cat. No. 1802460000	HDC-KIT-HA 03.302 M Version: Metal housing Cable gland M 20 Cat. No. 1802450000
--	---	--

Screw connection HA-3

3-pole / 400 V / max. 10 A		Group size 1	
Version	Type	Cat. No.	Qty.
Female	HDC-HA-3BS	1498200000	1
Male	HDC-HA-3SS	1498100000	1

Plug hood HA-3/HAD-7

End locking		Group size 1	
Version	Type	Cat. No.	Qty.
Metal housing			
1 x M 20 thread	HDC-HA-3-TOVL1xM20G	1788820000	1
1 x M 20 thread	HDC-HAD-7-TOVL1xM20G	1788520000	1

Bulkhead housing HA-3/HAD-7

End locking		Group size 1	
Version	Type	Cat. No.	Qty.
Metal housing			
HDC-HA-3-AVL		1497600000	1
Plastic housing			
HDC-HAD-7-AVL		1652410000	1

Bulkhead housing, angled HA-3/HAD-7

End locking		Group size 1	
Version	Type	Cat. No.	Qty.
Metal housing			
HDC-HA-3-AWVL		1497700000	1

HA 4-pole

400 V • 10 A



HDC-KIT-HA 04.400 Version: Metal housing Cable gland M 20 Cat. No. 1802440000	HDC-KIT-HA 04.401 Version: *Plastic housing Cable gland M 20 Cat. No. 1802430000	HDC-KIT-HA 04.402 Version: Metal housing Cable gland M 20 Cat. No. 1802700000	HDC-KIT-HA 04.406 Version: *Plastic housing Cable gland M 20 Cat. No. 1802720000
--	---	--	---

Screw connection HA-4

4-pole / 400 V / max. 10 A		Group size 1	
Version	Type	Cat. No.	Qty.
Female	HDC-HA-4BS	1498400000	1
Male	HDC-HA-4SS	1498300000	1

Plug hood HA-3/HAD-7

End locking		Group size 1	
Version	Type	Cat. No.	Qty.
Metal housing			
1 x M 20 thread	HDC-HA-3-TOVL1xM20G	1788820000	1
1 x M 20 thread	HDC-HAD-7-TOVL1xM20G	1788520000	1

Bulkhead housing HA-3/HAD-7

End locking		Group size 1	
Version	Type	Cat. No.	Qty.
Metal housing			
HDC-HA-3-AVL		1497600000	1
Plastic housing			
HDC-HAD-7-AVL		1652410000	1

Bulkhead housing, angled HA-3/HAD-7

End locking		Group size 1	
Version	Type	Cat. No.	Qty.
Metal housing			
HDC-HA-3-AWVL		1497700000	1
Plastic housing			
HDC-HAD-7-AWVL		1652420000	1

HDC-Kits Metric HE 6-Pole / HE 10-Pole

NEW

HE 6-pole

500 V • 16 A



1200000000



1200000000



1200020000



1200020000



1788100000



1788120000



1202100000



1202100000



1772220000



1772220000

Screw connection HE-6

6-pole / 500 V / max. 16 A

Group size 3

Version	Type	Cat. No.	Qty.
Female	HDC-HE-6BS	1200200000	1
Male	HDC-HE-6SS	1200000000	1

Plug hood series HB-6

End locking

Group size 3

Version	Type	Cat. No.	Qty.
---------	------	----------	------

Standard housings

1 x M 20 sleeve	HDC-HB-6-TSVL1xM20	1788100000	1
1 x M 20 thread	HDC-HB-6-TOVL1xM20G	1788120000	1

Bulkhead housing series HB-6

End locking

Group size 3

Version	Type	Cat. No.	Qty.
---------	------	----------	------

Standard housings	HDC-HB-6-AVL	1202100000	1
-------------------	--------------	------------	---

HDC-KIT-HE 06.100 M

Version: Metal housing
Cable gland M 20
Cat. No. **1802730000**

HDC-KIT-HE 06.101 M

Version: Metal housing
Cable gland M 20
Cat. No. **1802740000**

HE 10-pole

500 V • 16 A



1203900000



1203900000



1204100000



1204100000



1787550000



1787590000



1205000000



1205000000



1772230000



1772230000

Screw connection HE 10

10-pole / 500 V / max 16 A

Group size 4

Version / type	Cat. No.	Qty.
Male / HDC-HE-10SS	1203900000	1
Female / HDC-HE-10BS	1204100000	1

Plug hood series HB-10

Side locking lower side

Group size 4

Version / type	Cat. No.	Qty.
----------------	----------	------

Standard housings

1 x M 25 sleeve	HDC-HB-10-TSVU1xM25	1787550000	1
1 x M 25 thread	HDC-HB-10-TOVU1xM25G	1787590000	1

Bulkhead housing series HB-10

Side locking lower side

Group size 4

Version / type	Cat. No.	Qty.
----------------	----------	------

Standard housings

HDC-HB-10-AVU	1205000000	1
---------------	------------	---

HDC-KIT-HE 10.110 M

Version: Metal housing
Cable gland M 25
Cat. No. **1802420000**

HDC-KIT-HE 10.111 M

Version: Metal housing
Cable gland M 25
Cat. No. **1802410000**

HDC-Kits

HDC-Kits Metric HE 16-Pole / HE 24-Pole



HE 16-pole

500 V • 16 A



1207500000



1207500000



1207700000



1207700000



1788180000



1788210000



1208600000



1208600000



1772230000



1772230000

Screw connection HE 16

16-pole / 500 V / max 16 A		Group size 6	
Version	Type	Cat. No.	Qty.
Male	HDC-HE-16SS	1207500000	1
Female	HDC-HE-16BS	1207700000	1

Plug hood series HB-10

Side locking lower side		Group size 6	
Version / type		Cat. No.	Qty.
Standard housings			
1 x M25 sleeve			
HDC-HB-16-TSVU1xM25		1788180000	1
1 x M25 thread			
HDC-HB-16-TOVU1xM25G		1788210000	1

Bulkhead housing series HB-16

Side locking lower side		Group size 6	
Version	Type	Cat. No.	Qty.
Standard housings		HDC-HB-16-AVU	1208600000

HDC-KIT-HE 16.120 M

Version: Metal housing
Cable gland M 25
Cat. No. 1802400000

HDC-KIT-HE 16.121 M

Version: Metal housing
Cable gland M 25
Cat. No. 1802390000

HE 24-pole

500 V • 16 A



1211100000



1211100000



1211300000



1211300000



1787750000



1787810000



1212400000



1212400000



1772240000



1772240000

Screw connection series HE-24

24-pole 500 V / max 16 A		Group size 8	
Version / type		Cat. No.	Qty.
Male / HDC-HE-24SS		1211100000	
Female / HDC-HE-24BS		1211300000	

Plug hood series HB-24

Side locking lower side		Group size 8	
Version / type		Cat. No.	Qty.
Standard housings			
1 x M32 sleeve			
HDC-HB-24-TSVU1xM32		1787750000	
1 x M32 thread			
HDC-HB-24-TOVU1xM32G		1787810000	

Bulkhead housing series HB-24

Side locking lower side		Group size 8	
Version / type		Cat. No.	Qty.
Standard housings		HDC-HB-24-AVU	1212400000

HDC-KIT-HE 24.130 M

Version: Metal housing
Cable gland M 32
Cat. No. 1802380000

HDC-KIT-HE 24.131 M

Version: Metal housing
Cable gland M 32
Cat. No. 1802480000

HDC-Kits Metric HE 32-Pole / HE 48-Pole



HE 32-pole

500 V • 16 A

Screw connection series HE 32

Version / type	Cat. No.	Qty.
Male / HDC-HE-16SS	1207500000	
Male / HDC-HE-16SS 17-32	1215700000	
Female / HDC-HE-16BS	1207700000	
Female / HDC-HE-16BS 17-32	1216100000	

Plug hood series HB-32

Side locking lower side		Group size 10
Version / type	Cat. No.	Qty.
Standard housings		
1 x M32 thread		
HDC-HB-32-TSVU1xM32G	1788400000	1

Bulkhead housing series HB-32

Side locking lower side		Group size 10
Version / type	Cat. No.	Qty.
Standard housings		
HDC-HB-32-AVU	1217800000	1



1207500000 + 1215700000



1207700000 + 1216100000



1788400000



1217800000



1772240000

HDC-KIT-HE 32.140 M

Version: Metal housing
Cable gland M 32
Cat. No. **1802370000**

HE 48-pole

500 V • 16 A

Screw connection series HE-48

Version / type	Cat. No.	Qty.
Male / HDC-HE-24SS	1211100000	
Male / HDC-HE-24SS 25-48	1220800000	
Female / HDC-HE-24BS	1211300000	
Female / HDC-HE-24BS 25-48	1221200000	

Plug hood series HB-48

End locking lower side		Group size 12
Version / type	Cat. No.	Qty.
Standard housings		
1 x M48 thread		
HDC-HB-48-TSVL1xM48G	1788310000	1

Bulkhead housing series HB-48

Side locking lower side		Group size 12
Version / type	Cat. No.	Qty.
Standard housings with cover		
HDC-HB-48-ADVL	12229000000	1



1211100000+ 1220800000



1211300000 + 1221200000



1788310000



1222900000



1772250000

HDC-KIT-HE 48.150 M

Version: Metal housing
Cable gland M 40
Cat. No. **1802360000**

All complete assembly kits have 600 V in accordance with UL / CSA

Crimp contacts



Contacts

Crimp contacts for HE, HD, HDD- and ConCept housing inserts

Crimp contacts must be ordered separately.

A brass-alloy is the basic material of the turned and stamped contacts. Contact platings are available with either gold- or silver-plating. Stamped contacts are only available with gold-plating.

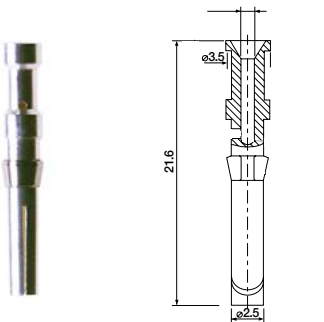
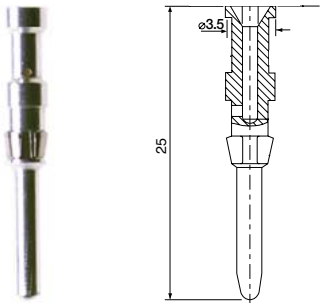
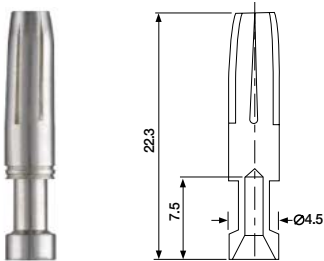
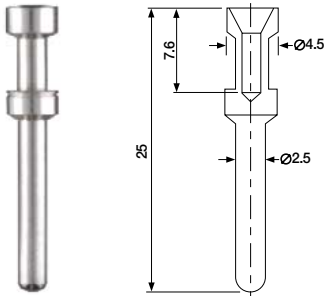
The male and female inserts are available either for stamped or for turned contacts. Please select in addition to the modules and frames the required crimp contacts.

Please refer to chapter "Accessories" for appropriate crimp and removal tools.

Contacts

Crimp contacts for HE, HD, HDD and ConCept housing inserts

Turned contacts



Crimp contacts for HE housing inserts and HE modules

Male crimps

Cross-section mm ²	AWG	Plating	Type	Cat. No.	Qty.
0.5	20	Au	HDC-C-HE-SM0.5Au	1651420000	100
	20	Ag	HDC-C-HE-SM0.5Ag	1200500000	100
0.75 - 1.00	18	Au	HDC-C-HE-SM0.75-1.00Au	1651430000	100
	18	Ag	HDC-C-HE-SM0.75-1.00Ag	1200600000	100
1.5	16	Au	HDC-C-HE-SM1.5Au	1651440000	100
	16	Ag	HDC-C-HE-SM1.5Ag	1200700000	100
2.5	14	Au	HDC-C-HE-SM2.5Au	1651450000	100
	14	Ag	HDC-C-HE-SM2.5Ag	1200800000	100
4.0	12	Au	HDC-C-HE-SM4.0Au	1651460000	100
	12	Ag	HDC-C-HE-SM4.0Ag	1200900000	100

Female crimps

Cross-section mm ²	AWG	Plating	Type	Cat. No.	Qty.
0.5	20	Au	HDC-C-HE-BM0.5Au	1651470000	100
	20	Ag	HDC-C-HE-BM0.5Ag	1201100000	100
0.75 - 1.00	18	Au	HDC-C-HE-BM0.75-1.00Au	1651480000	100
	18	Ag	HDC-C-HE-BM0.75-1.00Ag	1201200000	100
1.5	16	Au	HDC-C-HE-BM1.5Au	1651490000	100
	16	Ag	HDC-C-HE-BM1.5Ag	1201300000	100
2.5	14	Au	HDC-C-HE-BM2.5Au	1651500000	100
	14	Ag	HDC-C-HE-BM2.5Ag	1201400000	100
4.0	12	Au	HDC-C-HE-BM4.0Au	1651510000	100
	12	Ag	HDC-C-HE-BM4.0Ag	1201500000	100

Crimp contacts for HD, HDD and ConCept housing inserts

Male crimps

Cross-section mm ²	AWG	Plating	Type	Cat. No.	Qty.
0.14 - 0.37	26...22	Au	HDC-C-HD-SM0.14-0.37Au	1651620000	100
	26...22	Ag	HDC-C-HD-SM0.14-0.37Ag	1651520000	100
0.5	20	Au	HDC-C-HD-SM0.5Au	1651630000	100
	20	Ag	HDC-C-HD-SM0.5Ag	1651530000	100
0.75 - 1.00	18	Au	HDC-C-HD-SM0.75-1.00Au	1651640000	100
	18	Ag	HDC-C-HD-SM0.75-1.00Ag	1601750000	100
1.5	16	Au	HDC-C-HD-SM1.5Au	1651650000	100
	16	Ag	HDC-C-HD-SM1.5Ag	1651550000	100
2.5	14	Au	HDC-C-HD-SM2.5Au	1651660000	100
	14	Ag	HDC-C-HD-SM2.5Ag	1651560000	100

Female crimps

Cross-section mm ²	AWG	Plating	Type	Cat. No.	Qty.
0.14 - 0.37	26...22	Au	HDC-C-HD-BM0.14-0.37Au	1651670000	100
	26...22	Ag	HDC-C-HD-BM0.14-0.37Ag	1651570000	100
0.5	20	Au	HDC-C-HD-BM0.5Au	1651680000	100
	20	Ag	HDC-C-HD-BM0.5Ag	1651580000	100
0.75 - 1.00	18	Au	HDC-C-HD-BM0.75-1.00Au	1651690000	100
	18	Ag	HDC-C-HD-BM0.75-1.00Ag	1601760000	100
1.5	16	Au	HDC-C-HD-BM1.5Au	1651700000	100
	16	Ag	HDC-C-HD-BM1.5Ag	1651600000	100
2.5	14	Au	HDC-C-HD-BM2.5Au	1651710000	100
	14	Ag	HDC-C-HD-BM2.5Ag	1651610000	100

Contacts

Stamped crimp contacts for HD housing inserts

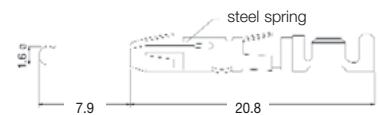
Single contacts



Bandolier contacts

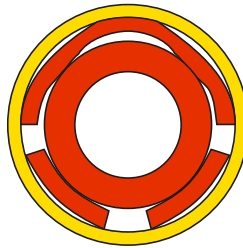


CB/CS contact



CB/CS contact system

- High contact reliability due to four defined contact points
- Clip locks in the steel spring reliably secure the contacts in the housings
- Up to 500 insertion cycles (gold-plated version)
- Up to 100 insertion cycles (tin-plated version)



Stamped crimp contacts CB/CS, 4 contact points

Male crimps

Cross-sect. mm ² AWG	Insul.-ø mm	Plating
0.14...0.2	26...24	Au Sn Pb
0.32...0.5	22...20	Au Sn Pb
0.75...1.5	18...16	Au Sn Pb
0.75...1.5	18...16	Sn Pb

Single contacts

Type	Cat. No.	Qty.
CS 1.6 HD E 26...24 AU 1.4	1542200000	250
CS 1.6 HD E 26...24 SN 1.4	1542600000	250
CS 1.6 HD E 22...20 AU 1.8	1542800000	250
CS 1.6 HD E 22...20 SN 1.8	1543200000	250
CS 1.6 HD E 22...20 AU 2.5	1543400000	250
CS 1.6 HD E 22...20 SN 2.5	1543800000	250
CS 1.6 HD E 18...16 AU 2.5	1544000000	250
CS 1.6 HD E 18...16 SN 2.5	1544400000	250
CS 1.6 HD E 18...16 SN 13.5	1582520000	250

Bandolier contacts

Type	Cat. No.	Qty.
CS 1.6 HD R 26...24 AU 1.4	1542100000	5000
CS 1.6 HD R 26...24 SN 1.4	1542500000	5000
CS 1.6 HD R 22...20 AU 1.8	1542700000	5000
CS 1.6 HD R 22...20 SN 1.8	1543100000	5000
CS 1.6 HD R 22...20 AU 2.5	1543300000	5000
CS 1.6 HD R 22...20 SN 2.5	1543700000	5000
CS 1.6 HD R 18...16 AU 2.5	1543900000	5000
CS 1.6 HD R 18...16 SN 2.5	1544300000	5000
CS 1.6 HD R 18...16 3.5	1582530000	4000

Female crimps

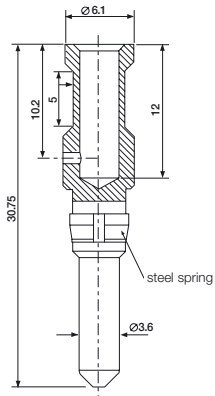
Cross-sect. mm ² AWG	Insul.-ø mm	Plating
0.14...0.2	26...14	Au Sn Pb
0.32...0.5	22...20	Au Sn Pb
0.75...1.5	18...16	Au Sn Pb
0.75...1.5	18...16	Au Sn Pb

Type	Cat. No.	Qty.
CB 1.6 26...24 AU, 75 1.4	1420900000	250
CB 1.6 26...24 SN 1.4	1421900000	250
CB 1.6 22...20 AU, 75 1.8	1422900000	250
CB 1.6 22...20 SN 1.8	1423900000	250
CB 1.6 22...20 AU, 75 2.5	1424900000	250
CB 1.6 22...20 SN 2.5	1425900000	250
CB 1.6 18...16 AU, 75 2.5	1426900000	250
CB 1.6 18...16 SN 2.5	1427900000	250
CB 1.6 16...18 AU 0.75 3.5	1582410000	250
CB 1.6 16...18 SN 3.5	1582430000	250

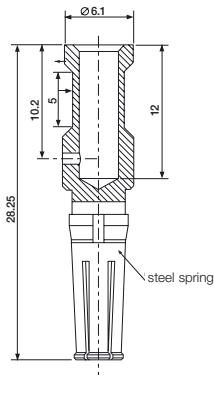
Type	Cat. No.	Qty.
CB 1.6 26...24 AU, 75 1.4	1420800000	5000
CB 1.6 26...24 SN 1.4	1421800000	5000
CB 1.6 22...20 AU, 75 1.8	1422800000	5000
CB 1.6 22...20 SN 1.8	1423800000	5000
CB 1.6 22...20 AU, 75 2.5	1424800000	5000
CB 1.6 22...20 SN 2.5	1425800000	5000
CB 1.6 18...16 AU, 75 2.5	1426800000	5000
CB 1.6 18...16 SN 2.5	1427800000	5000
CB 1.6 18...16 AU 0.75 3.5	1582420000	4000
CB 1.6 18...16 SN 3.5	1582440000	4000

Contacts

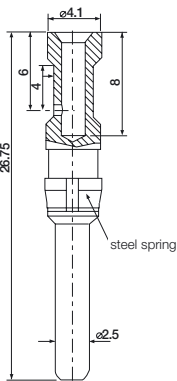
Crimp contacts for ConCept



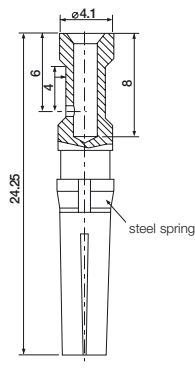
CM-3 Male



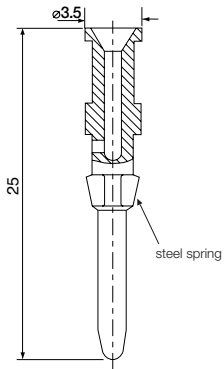
CM-3 Female



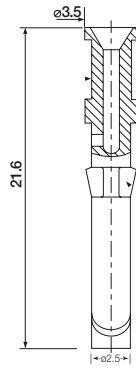
CM-5 Male



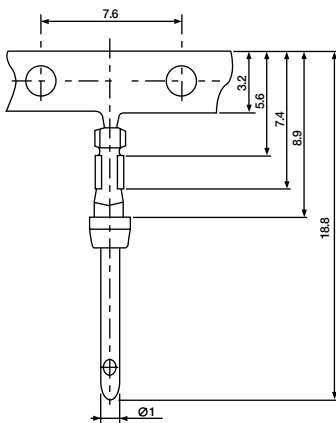
CM-5 Female



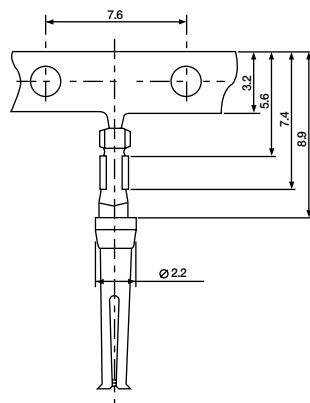
CM-10 Male



CM-10 Female



CM-20 Male



CM-20 Female

Turned crimp contacts for module CM-3

Contact diameter of pin \varnothing 3.6 mm \varnothing

Cross-sec. mm ²	AWG	Plating	Type	Cat. No.	Qty.	
4.0	12	Ag	Male	HDC-C-M3-SM4.0Ag	1682260000	100
	12	Ag	Female	HDC-C-M3-BM4.0Ag	1682270000	100
6.0	10	Ag	Male	HDC-C-M3-SM6.0Ag	1682280000	100
	10	Ag	Female	HDC-C-M3-BM6.0Ag	1682290000	100
10.0	8	Ag	Male	HDC-C-M3-SM10.0Ag	1682300000	100
	8	Ag	Female	HDC-C-M3-BM10.0Ag	1682310000	100

Turned crimp contacts for module CM-5

Contact diameter of pin \varnothing 2.5 mm

Cross-sec. mm ²	AWG	Plating	Type	Cat. No.	Qty.	
0.5	20	Ag	Male	HDC-C-M5-SM0.5Ag	1682320000	100
		Ag	Female	HDC-C-M5-BM0.5Ag	1682330000	100
0.75-1.0	18	Ag	Male	HDC-C-M5-SM0.75-1.0Ag	1682340000	100
		Ag	Female	HDC-C-M5-BM0.75-1.0Ag	1682350000	100
1.5	16	Ag	Male	HDC-C-M5-SM1.5Ag	1682360000	100
		Ag	Female	HDC-C-M5-BM1.5Ag	1682370000	100
2.5	14	Ag	Male	HDC-C-M5-SM2.5Ag	1682380000	100
		Ag	Female	HDC-C-M5-BM2.5Ag	1682390000	100
4.0	12	Ag	Male	HDC-C-M5-SM4.0Ag	1682400000	100
		Ag	Female	HDC-C-M5-BM4.0Ag	1682410000	100

Turned crimp contacts for module CM-10

Contact diameter of pin \varnothing 1.6 mm

Cross-sec. mm ²	AWG	Plating	Type	Cat. No.	Qty.	
0.14-0.37	26...22	Au	Male	HDC-C-HD-SM0.14-0.37Au	1651620000	100
		Au	Female	HDC-C-HD-BM0.14-0.37Au	1651670000	100
		Ag	Male	HDC-C-HD-SM0.14-0.37Ag	1651520000	100
		Ag	Female	HDC-C-HD-BM0.14-0.37Ag	1651570000	100
0.5	20	Au	Male	HDC-C-HD-SM0.5Au	1651630000	100
		Au	Female	HDC-C-HD-BM0.5Au	1651680000	100
		Ag	Male	HDC-C-HD-SM0.5Ag	1651530000	100
		Ag	Female	HDC-C-HD-BM0.5Ag	1651580000	100
0.75-1.00	18	Au	Male	HDC-C-HD-SM0.75-1.00Au	1651640000	100
		Au	Female	HDC-C-HD-BM0.75-1.00Au	1651690000	100
		Ag	Male	HDC-C-HD-SM0.75-1.00Ag	1601750000	100
		Ag	Female	HDC-C-HD-BM0.75-1.00Ag	1601760000	100
1.5	16	Au	Male	HDC-C-HD-SM1.5Au	1651650000	100
		Au	Female	HDC-C-HD-BM1.5Au	1651700000	100
		Ag	Male	HDC-C-HD-SM1.5Ag	1651550000	100
		Ag	Female	HDC-C-HD-BM1.5Ag	1651600000	100
2.5	14	Au	Male	HDC-C-HD-SM2.5Au	1651660000	100
		Au	Female	HDC-C-HD-BM2.5Au	1651710000	100
		Ag	Male	HDC-C-HD-SM2.5Ag	1651560000	100
		Ag	Female	HDC-C-HD-BM2.5Ag	1651610000	100

Stamped crimp contacts for module CM-20

Contact diameter of pin \varnothing 1 mm

Cross-sec. mm ²	AWG	Plating	Type	Cat. No.	Qty.	
0.08-0.2	28...24	Au	Male	HDC-C-M20-SCG0.08-0.2Au	1682420000	300
		Au	Female	HDC-C-M20-BCG0.08-0.2Au	1682430000	300
0.2-0.52	24...20	Au	Stiff	HDC-C-M20-SCG0.2-0.52Au	1682440000	300
		Au	Female	HDC-C-M20-BCG0.2-0.52Au	1682450000	300

Module removal tool

Type	Cat. No.	Qty.
HDC-DW-MOD	1688200000	1

Contact removal tool

Tool for removal of contacts

For turned crimp contacts in	Type	Cat. No.	Qty.
ConCept module CM-3	HDC-DW-M3	1688240000	1
ConCept module CM-5	HDC-DW-M5	1688230000	1
HD inserts and ConCept module CM-10	HDC-DW-M10	1688220000	1
ConCept module CM-20	HDC-DW-M20	1688210000	1
HE inserts and ConCept module CM-HE-4	HDC-DW-M4	1760170000	1

Crimp contacts for HE modules see page 234

Accessories



Accessories

Weidmüller offers a comprehensive range of accessories for its range of heavy duty connectors.

As well as manual crimping tools, we offer crimping machines for processing turned and rolled crimp contacts.

Operating and contact removal tools round off the product range.

Furthermore, coding sets, adapter plates and cover plates are included in the range of accessories.

In addition, the range of accessories is supplemented by components for the DSTVK and DSTV-HD through-panelconnectors.

Marking material, marking carriers and marking plates round off the range.

Accessories

NEW

RailMate - rail mounting system

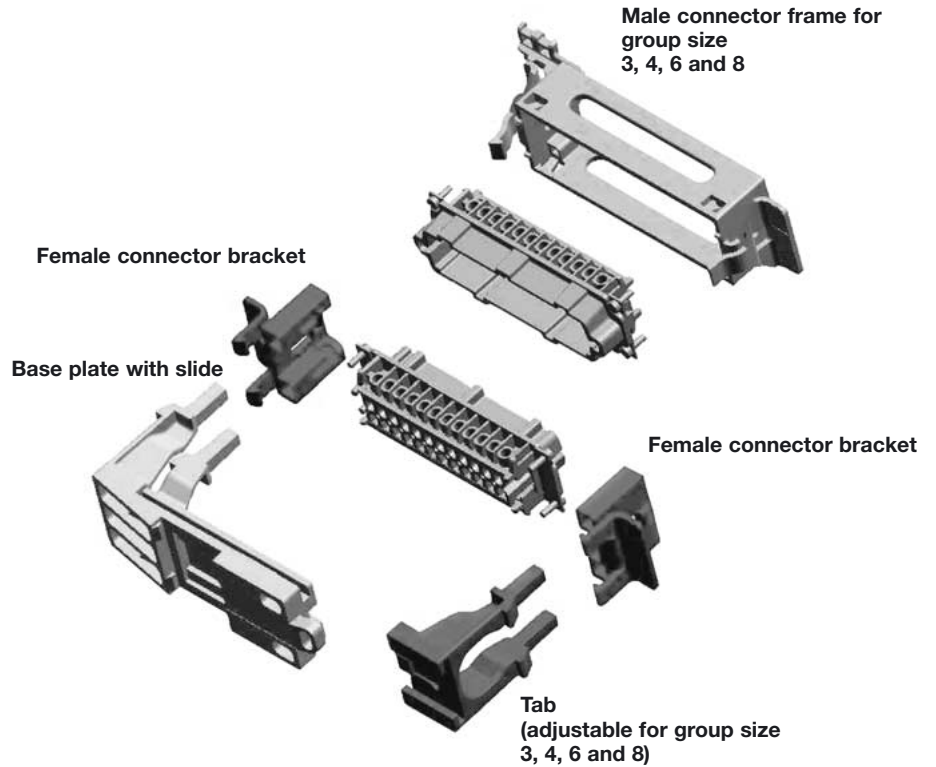


The new RailMate rail-mounting system allows connectors to be wired inside switchgear cabinets at a reasonable price

- Snap-on components require no tools for mounting
- Easy to pre-assemble
- Large cable compartment
- Simplified direct wiring on TS 35 rails
- Adjustable for varying number of poles
- Greater stability and functional safety
- Coding ensures error-free connection
- Large marking surfaces

Sets comprise a complete mounting system (without connector):

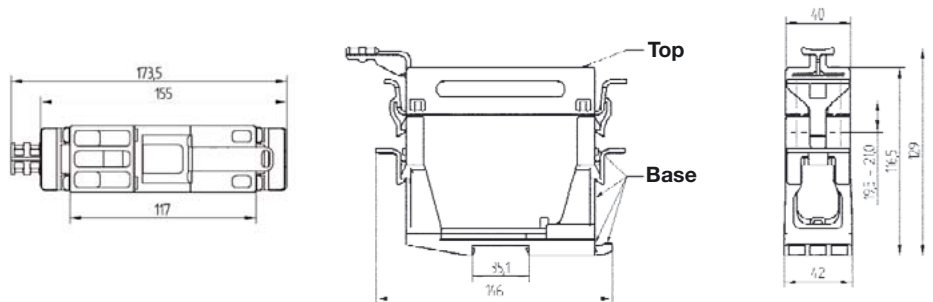
- 1 Base plate with slide
- 1 Tab
- 2 Female connector bracket
- 1 Male connector frame



Technical data

Use with top-hat rail in accordance with DIN EN 50022 – 35 x 7.5 and DIN EN 50022- 35 x 15

Material:	Polycarbonate,
Colour:	Pebble grey, RAL 7032
Material property:	Phosphorous and halogene-free
Flammability class:	V0 in accordance with UL 94
Temperature range:	-40° C to 125° C



Ordering data

Description	Type	Cat. No.			Qty.
Sets					
Set for inserts group size 3	HDC RailMate HB6 Set	1797500000			1
Set for inserts group size 4	HDC RailMate HB10 Set	1797510000			1
Set for inserts group size 6	HDC RailMate HB16 Set	1797520000			1
Set for inserts group size 8	HDC RailMate HB24 Set	1797530000			1
Individual components					
Male connector frames for group size 3	HDC RailMate HB6 Top	1797540000			10
Male connector frames for group size 4	HDC RailMate HB10 Top	1797550000			10
Male connector frames for group size 6	HDC RailMate HB16 Top	1797560000			10
Male connector frames for group size 8	HDC RailMate HB24 Top	1797570000			10
Base plate with slide, tab and 2 female connector brackets for group sizes 3, 4, 6 and 8	HDC RailMate Base	1797580000			1
Accessories					
Coding set with 50 pins and 50 plugs	HDC RailMate COS	1798260000			1
		silver	white	yellow	
Labels for laser printer (264 pieces/DIN A 4 sheets)	LM MT 300 20/8	1686380001	1686381044	1686381687	10 sheets
Labels for thermal transfer printer					
10.000 pieces/roll	THM MT30X 32/9	1751770001	1751771044	1751771687	1 roll

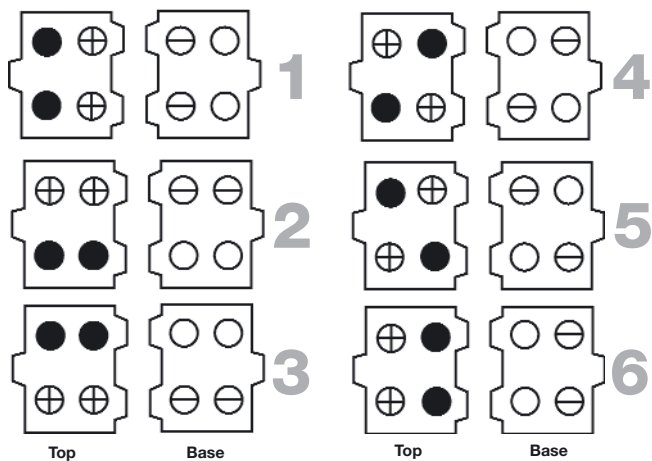
NEW

Accessories

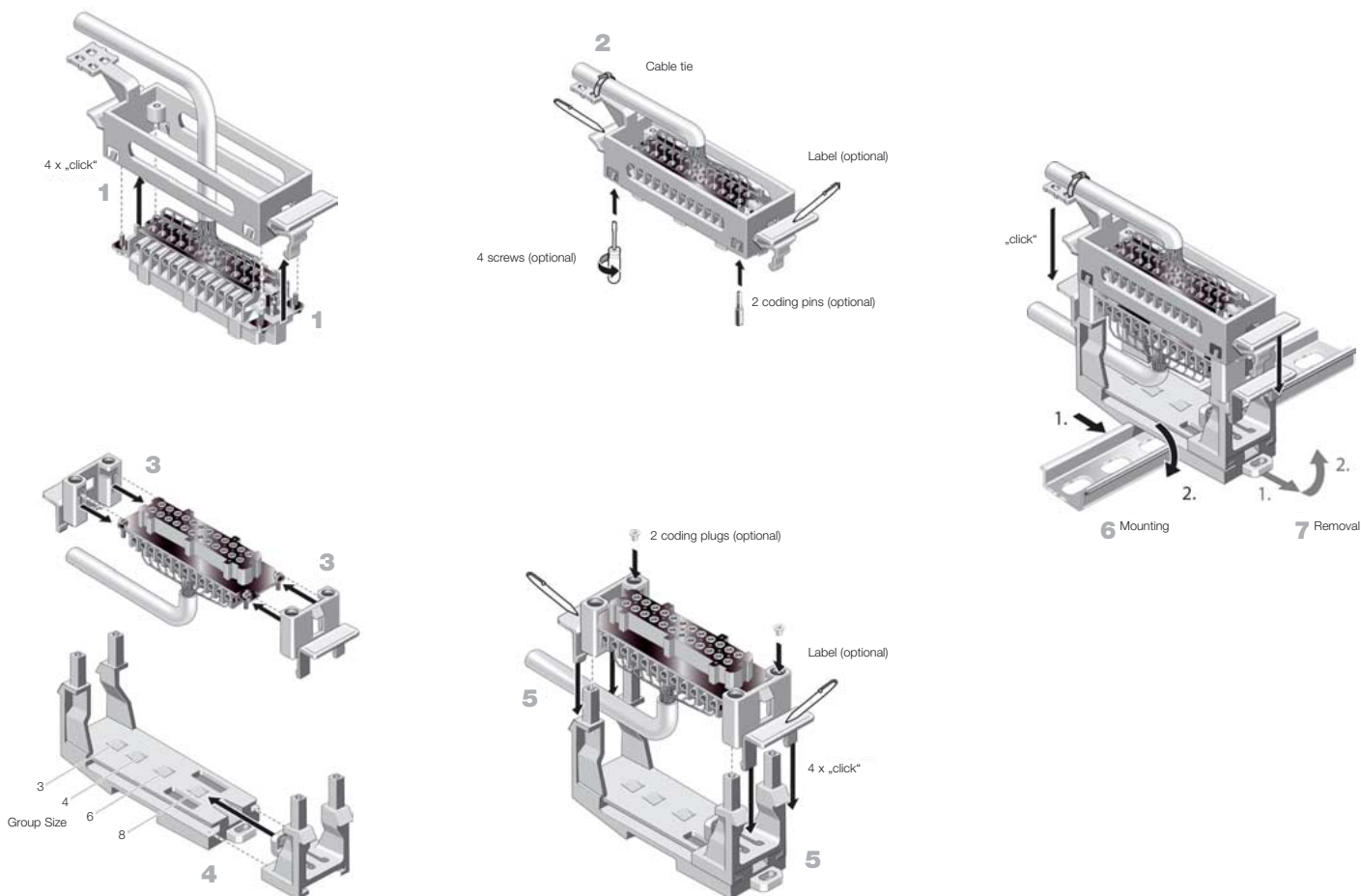
RailMate - rail mounting system

Coding scheme

- Coding pins
- ⊕ Fixing screw
- ⊖ Coding plugs
- Open



Mounting instructions



Accessories

Accessories

Crimping tools

Special type for HE male and female contacts

Preferred type for turned crimp contacts HE, HD and ConCept

For stamped GS/GB and CS/CB contacts

Screwdriver

CZB 1



Type	Description	Cat. No.	Qty.
CZB 1	Crimping tool for 1.5...4.0 mm ² conductor cross-section	9012710000	1

CTX CM



Type	Description	Cat. No.	Qty.
CTX CM 3.6	Crimping tool for Ø 3.6 mm contacts with 4.0...10.0 mm ² conductor cross-section of ConCept module CM-3	9018480000	1
CTX CM 1.6/2.5	Crimping tool for Ø 1.6 mm/Ø 2.5 mm contacts with 0.14...2.5 mm ² conductor cross-section, of turned HE, turned HD and ConCept contacts	9018490000	1
HDC-CM-3	Crimping tool for 1.5...10 mm ² conductor cross-section of ConCept module CM-3	1700890000	1
HDC-CM-20	Crimping tool for Ø 1.0 mm D-Sub contacts with 0.08...0.52 mm ² conductor cross-section of ConCept module CM-20	1700900000	1

HDC-CM



HTF RSV 1.6



Type/Description	Cat. No.	Qty.
HTF RSV 1.6	9013560000	1
Crimping tool		
Crimpable contact		
Cross-section mm ²	AWG-conductor	Insulation diameter in mm
0.14...0.25	26...24	0.8...1.4
0.34...0.5	22...20	1.1...1.8
0.34...0.5	22...20	2.0...2.5
0.75...1.5	18...16	2.0...3.5

SD



Type	Cat. No.	Qty.
SD	9008330000	1
Crimpable contact		
0.6 x 3.5 x 100		

Contact removal tool¹⁾

for HD and ConCept crimp contacts or GB/GS and CB/CS crimp contacts

DW RSV 1.6

HDC-DW



Type	Description	Cat. No.	Qty.
DW RSV 1.6	Tool for removal of stamped HD female and male contacts of type CB/CS and GB/GS	9004530000	1
Contact removal tool for ConCept			
Type	for ConCept module	Cat. No.	Qty.
HDC-DW-M3	HDC-CM-3	1688240000	1
HDC-DW-M5	HDC-CM-5	1688230000	1
HDC-DW-M10¹⁾	HDC-CM-10	1688220000	1
HDC-DW-M20	HDC-CM-20	1688210000	1
HDC-DW-M4²⁾	HDC-CM-HE -4	1760170000	1

Module removal tool

for ConCept modules

HDC-DW-MOD



Type	Description	Cat. No.	Qty.
HDC-DW-MOD	For removal of ConCept modules from the frame	1688200000	1

¹⁾ Tool for removal of turned HD contacts

²⁾ Tool for removal of HE contacts

³⁾ Please do not loosen the contact more than 3 times

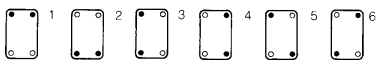
Accessories

Coding by means of coding pins for all fixed-pole inserts

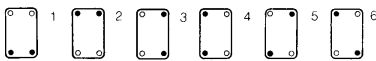


Type	Cat. No.	Qty.
SPB-M 3	1203600000	10

- Coding pins
- Fixing screws



Male insert



Female insert

The coding system is not compatible with the KDSTV COS 32...16 and DSTVR COS 16 coding system.

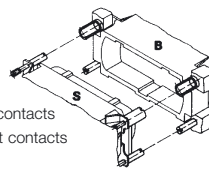
Coding set for connector types*

DSTVK-R
DSTV-HD R

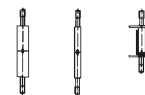
with corresponding mating connector

HE
HD

Type	Cat. No.	Qty.
DSTV R COS 16	1474300000	1



B = Female element with pin contacts
S = Male element with socket contacts
yes no yes



Examples of impermissible/permissible coding element combinations.

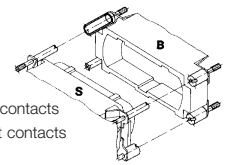
Up to 8 connectors can be coded with the contents of one coding set. Two coding sets must be used in order to be able to code 9 to 16 connectors.

*Coding scheme for DSTVK COS see page 236 "Accessories"

Coding set for connector types

HE
HD
HSB
DSTV K
DSTV-HD

Type	Cat. No.	Qty.
DSTV COS 16	1431000000	1
DSTV COS 24	1430900000	1
DSTV COS 32	1430800000	1



B = Female element with pin contacts
S = Male element with socket contacts
no no no no yes yes



Examples of impermissible/permissible coding element combinations.

Number of codable connectors (max.)

	72	64	56	48	40	32	24	16	8
Coding set	Number of coding sets required								
DSTV COS 16	2	1							
DTSV COS 24	3	3	3	2	1				
DSTV COS 32	4	4	4	4	4	4	3	2	1

Fixing foot for TS 35 mounting rail

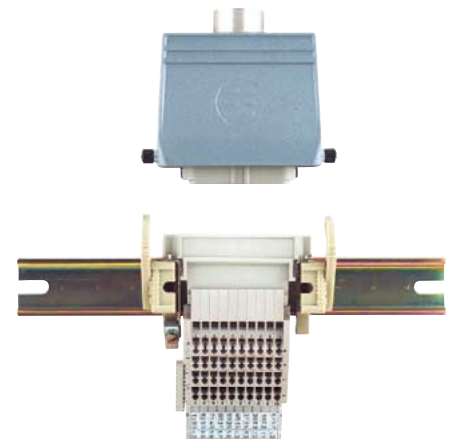


Type	Cat. No.	Qty.
DSTV-TS 6-24	1595220000	10

Locking latch



Type	Cat. No.	Qty.
DSTV-TS 6 VH	1595230000	10
DSTV-TS 10-24 VH	1595240000	



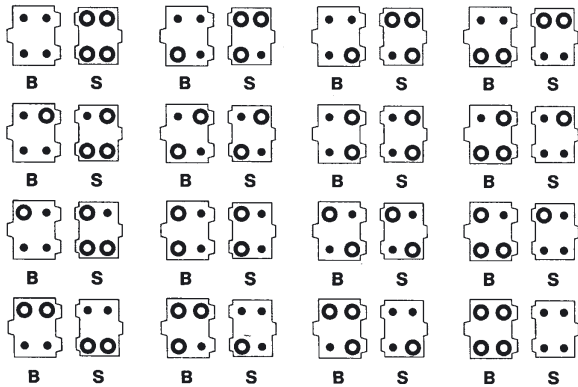
Example of application: DSTV-TS

Accessories

Coding scheme for coding set

DSTV COS 16

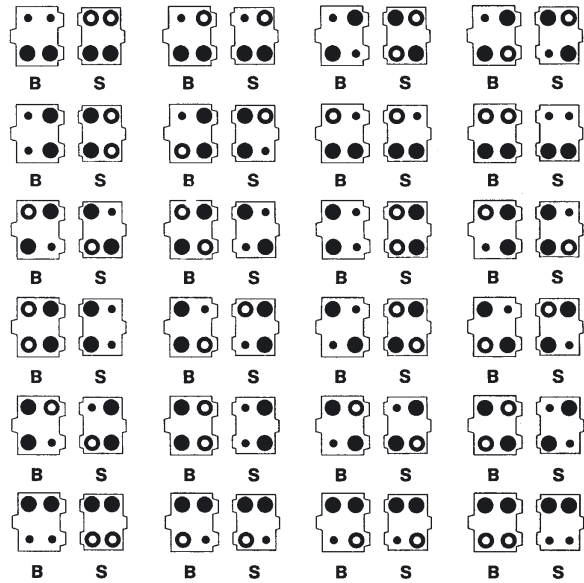
2 coding sets can code max. 16 connectors.
Please order 2 sets for 16 connectors.



Coding scheme for coding set

DSTV COS 24

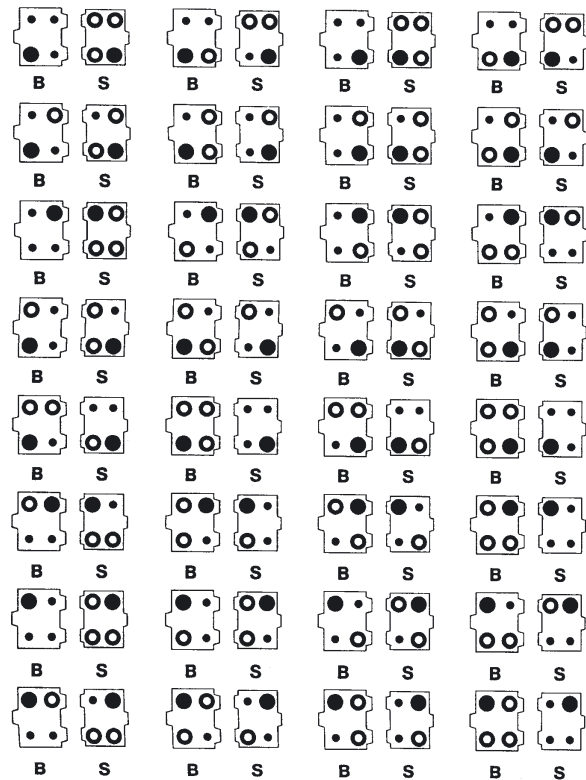
3 coding sets can code max. 24 connectors.
Please order 3 sets for 24 connectors.



Coding scheme for coding set

DSTV COS 32

4 coding sets can code max. 32 connectors.
Please order 4 sets for 32 connectors.



Coding systems

for square connectors with M3 thread

Correct mating of connectors requires a simple, functionally reliable coding system.

The **COS coding system** is suitable for all square connectors. The coding elements are fitted instead of the fixing screws.

Coding elements

Coding pin \varnothing 7 mm

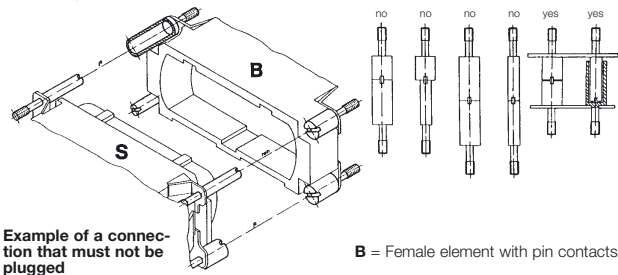
Coding pin \varnothing 4 mm

Coding socket \varnothing 5 mm

Symbol



Picture



Example of a connection that must not be plugged

B = Female element with pin contacts
S = Male element with socket contacts

A maximum of 8 plug connections can be coded using the parts of any one coding set.

In order to be able to code more than 8 connectors, the number of necessary coding sets must be read from the table.

Number of codable connectors (max.)

Coding set	72	64	56	48	40	32	24	16	8
Number of the coding sets required									
DSTV COS 16	2	1							
DTSV COS 24	3	3	3	2	1				
DSTV COS 32	4	4	4	4	4	4	3	2	1

Individual parts per Qty.	Coding set		
	COS 16	COS 24	COS 32
Spring washer A3 DIN 137	8 x 8	8 x 8	8 x 8
Coding instructions	1	1	1
Coding pin \varnothing 7 mm		8 x 4	8 x 2
Coding socket \varnothing 5 mm	8 x 4	8 x 2	8 x 3
Coding pin \varnothing 4 mm	8 x 4	8 x 2	8 x 3

Accessories

Marking material Snap-on marking tag S 10



Type	Cat. No.	Qty.
SO 10 unprinted	0332300000	10
SF 10 sequential print	0332400000	10
SG 10 identical print	0332500000	10

Ordering guide for the required number of individual digits for compiling multi-digit numbers:

Individual digits for marking from...to...			
1...50	10...100	1...150	1...200
15 x 1	21 x 1	86 x 1	140 x 1
15 x 2	20 x 2	35 x 2	41 x 2
15 x 3	20 x 3	35 x 3	41 x 3
15 x 4	20 x 4	35 x 4	41 x 4
6 x 5	20 x 5	26 x 5	40 x 5
5 x 6	20 x 6	25 x 6	40 x 6
5 x 7	20 x 7	25 x 7	40 x 7
5 x 8	20 x 8	25 x 8	40 x 8
5 x 9	20 x 9	25 x 9	40 x 9
5 x 0	11 x 0	25 x 0	31 x 0

Marking carriers Group marker for DSTVK... and DSTVK R... inserts

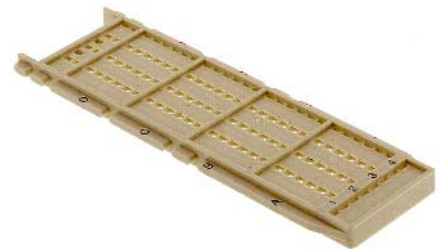


Type		Cat. No.	Qty.
BZ 2/12	12-pole	1339460000	10

DSTV BZP 2	1471700000	20
------------	-------------------	----

Group marker (unprinted) for snapping onto DSTVK...
DSTVK R...
Printed group marker on request.

Marking plate DSTV-HD BZS ... for DSTV-HD inserts used with S-10 snap-on marking tags



for	Type	Cat. No.	Qty.
DSTV-HD-BL 40...	DSTV-HD BZS-BL 40...	1550360000	5
DSTV-HD-SL 40...	DSTV-HD BZS-SL 40...	1550560000	5

Adapter plate, plastic



Type	Cat. No.	Group size	Qty.
ADP-8/3-OR	1664980000	3	10
ADP-8/3-GR	1664990000	3	10
ADP-8/4-OR	1665000000	4	10
ADP-8/4-GR	1665010000	4	10
ADP-8/6-OR	1665020000	6	10
ADP-8/6-GR	1665030000	6	10

GR = Grey
OR = Orange

Cover plates



Type	Cat. No.	Group size	Qty.
ABD-1 shee steel	9457300000	1	50
ABD-2-GR	1664330000	2	10
ABD-3-GR	1664350000	3	10
ABD-5-GR	1664370000	5	10
ABD-6-GR	1664390000	6	10
ABD-8-OR	1664960000	8	10
ABD-8-GR	1664970000	8	10

Adapter plate, D-Sub



Type	Cat. No.	Group size	Qty.
ADS/6-1/9	1665940000	3	10
ADS/6-2/9	1665950000	3	10
ADS/6-1/15	1666200000	3	10
ADS/6-2/15	1666210000	3	10
ADS/10-1/25	1666220000	4	10
ADS/10-2/25	1666230000	4	10
ADS/16-1/25	1666320000	6	10
ADS/16-2/25	1666330000	6	10
ADS/16-1/37	1666340000	6	10
ADS/16-2/37	1666350000	6	10
ADS/16-1/50	1666460000	6	10

Accessories

Connector and Bulkhead housing

HA. 10...

With Sub-D 25 as IDC version

With protection against incorrect plugging

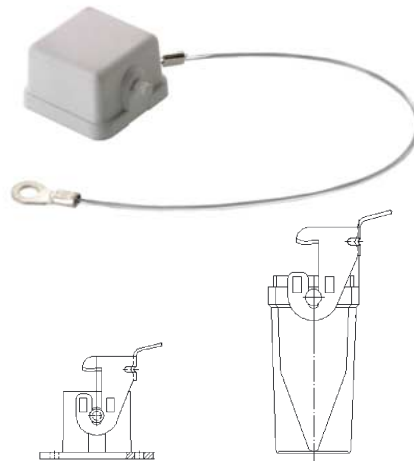


Type	Cat. No.
Plug hood with PG 11	
HA.10/SUB-D 25 BU with Sub-D 25 female version	1567410000
Bulkhead housing	
HA.10/SUB-D 25 ST with Sub-D 25 male version	1567420000
Bulkhead housing	
HA.10/SUB-D 25 AG without Sub-D	1572680000
Connector and bulkhead housing complete	
HA.10/SUB-D 25	1563950000

Overview of housing covers

Cover for housing with end locking

Plastic / Cover with cord

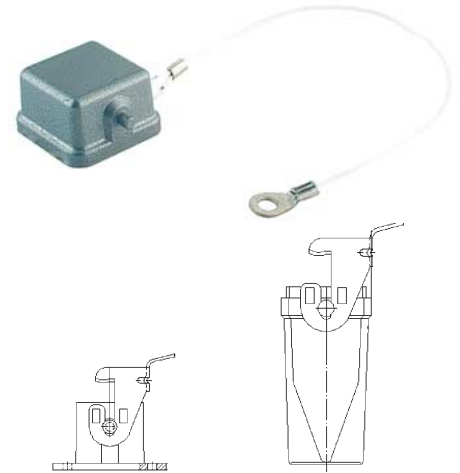


Version / type	GS	Cat. No.	Qty.
Plastic cover			
HDC-HA-3-KDBF-S	1	1665760000	10
HDC-HA-3-KDBF-B	1	1665770000	10

S = Cover without gasket when male insert is used
 B = Cover with gasket when female insert is used

Cover for housing with end locking

Metal / Cover with cord

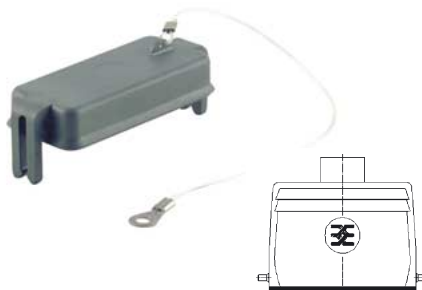


Version / type	GS	Cat. No.	Qty.
Metal cover			
HDC-HA-3-MDBF-S	1	1665740000	10
HDC-HA-3-MDBF-B	1	1665750000	10

S = Cover without gasket when male insert is used
 B = Cover with gasket when female insert is used

Cover for plug hood

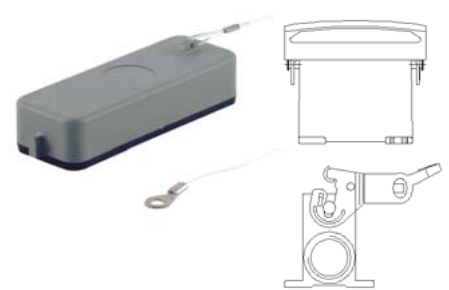
Cover with cord



Version / type	GS	Cat. No.	Qty.
Plastic cover			
HDC-HA-10-KDF	2	1665890000	5
HDC-HA-16-KDF	5	1665910000	5

Cover for housing with end locking

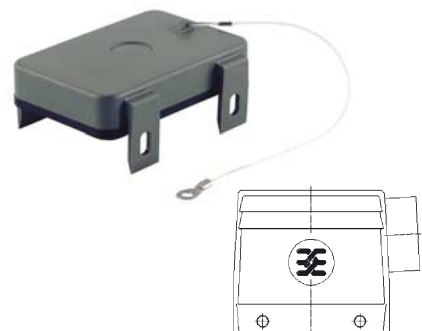
Cover with cord



Version / type	GS	Cat. No.	Qty.
Plastic cover			
HDC-HA-10-KDBF	2	1665880000	5
HDC-HA-16-KDBF	5	1665900000	5

Cover for plug hood

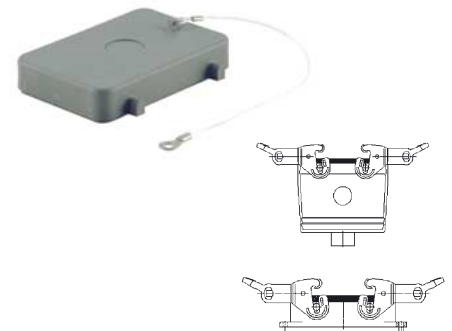
Cover with cord



Type	GS	Cat. No.	Qty.
Plastic cover			
HDC-HA-32-KDF	7	1665930000	2

Cover for housing with side locking

Cover with cord



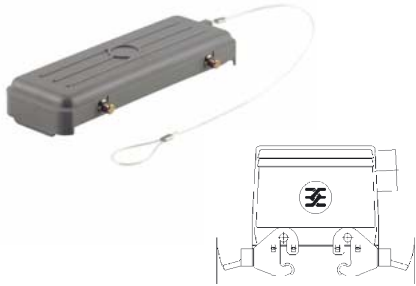
Type	GS	Cat. No.	Qty.
Plastic cover			
HDC-HA-32-KDBF	7	1665920000	2

Accessories

Overview of housing covers

Cover for plug hood with side locking

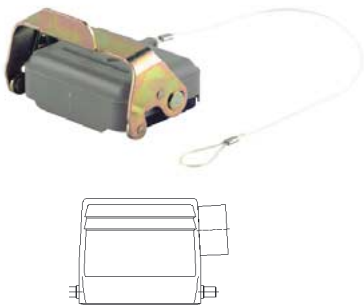
Cover with cord



Type	GS	Cat. No.	Qty.
Plastic cover			
HDC-HB-10-DBP	4	1665250000	5
HDC-HB-16-DBP	6	1665620000	5
HDC-HB-24-DBP	8	1665650000	2

Cover for plug hood

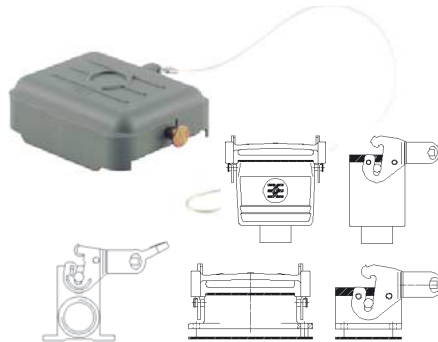
Cover with cord



Type	GS	Cat. No.	Qty.
Plastic cover			
HDC-HB-6-DT	3	1665210000	2

Cover for lower side with end locking

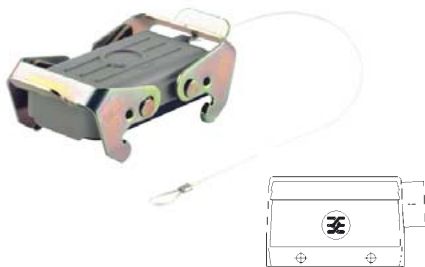
Cover with cord



Type	GS	Cat. No.	Qty.
Plastic cover			
HDC-HB-6-DB	3	1665200000	5

Cover for plug hood

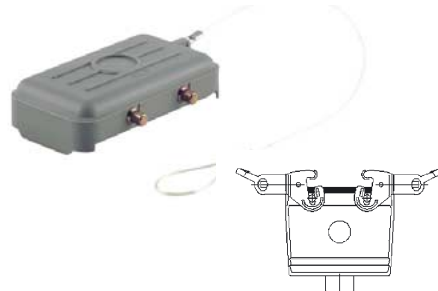
Cover with cord



Type	GS	Cat. No.	Qty.
Plastic cover			
HDC-HB-10-DT	4	1665240000	2
HDC-HB-16-DT	6	1665270000	2
HDC-HB-24-DT	8	1665640000	2

Cover for lower side with side locking

Cover with cord



Type	GS	Cat. No.	Qty.
Plastic cover			
HDC-HB-10-DB	4	1665230000	5
HDC-HB-16-DB	6	1665260000	2
HDC-HB-24-DB	8	1665630000	2

Cable Glands



Cable Glands

The European Technical Standard, DIN EN 50 262

Metric cable glands for electric installations - the end of PG threads.

- The technical standards "Cable Glands for cables and conductors with PG standard threads" DIN 46320 (P1 - P4), DIN 46255, DIN 46259, DIN 46319 and DIN VDE 0619 became invalid on the 31 December 1999.
- Cable glands with PG threads are no longer standardized.
- The design approvals granted in accordance with DIN VDE 0619: 1987 – 09 remained valid until 31.3.2001
- The European Standard "Metric Cable Glands for Electrical Installations" EN 50 262 became valid on 1.4.1999.
- The EN Standard EN 50 262 is mandatory in all member countries of the European Union (EU) and associated countries collaborating with CENELEC (European Committee For Electrotechnical Standardization) who adopt the standard.
- That means that only metric cable glands are permitted to be used in new constructions as of 1.3.2001 in those countries described above.

We offer a well balanced assortment of cable glands for different applications.

- Cable glands made from plastic and brass
- EMC cable glands
- For hazardous areas in accordance with EN 50014, EN 50019 and ATEX
- VDE, CSA and UL approved

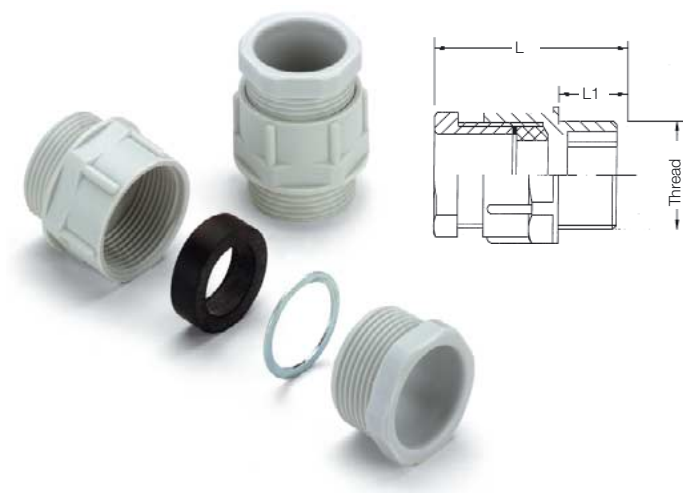
Cable entries, for example for enclosures or heavy duty connectors can be easily and reliably installed

DIN 40050 protection classes:

- IP 54** Protection against dust accumulation as well as protection against water splash
- IP 65** Protection against dust inflow as well as protection against hose water
- IP 66** Protection against dust inflow as well as protection in the case of overflowing
- IP 68** Protection against dust inflow as well as protection when submerged in water

Cable Glands

Plastic IP54



Reasonably priced cable glands IP 54

Technical data

Material:	Polyamide connection thread M Polystyrole connection thread PG
Sealing:	Soft rubber
Temperatur	-20°C ... +60°C
Protection class:	IP54 (with thread sealing ring, type GWDR ...-PO = IP65)
Colour:	Similar to grey RAL 7035

Ordering data

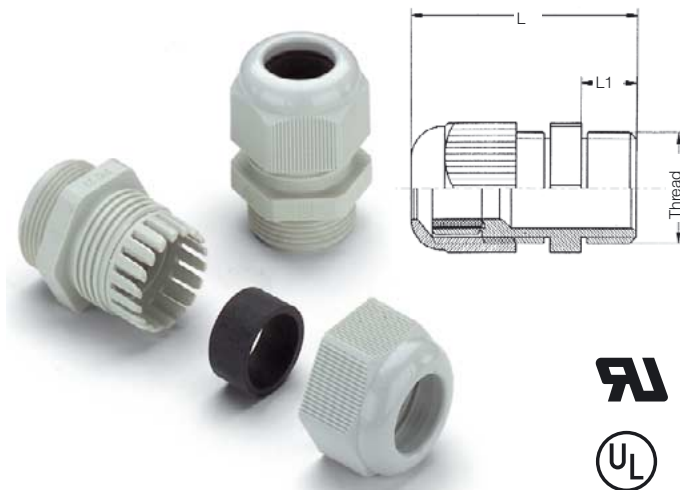
Type	Thread	Clamp range	L	L1	SW1/SW2	Qty.	Cat. No.
Metric cable glands, plastic IP54							
VGM12-K54	M 12 x 1.5	6.0 - 8.0	32	11	19/16	50	1777080000
VGM16-K54	M 16 x 1.5	8.0 - 10.0	32	11	19/16	50	1777070000
VGM20-K54	M 20 x 1.5	8.0 - 10.0	35	11	22/19	50	1777050000
VGM25-K54	M 25 x 1.5	12.0 - 14.0	39	11	27/23	50	1777030000
VGM25-K54	M 25 x 1.5	15.0 - 17.0	39	11	27/23	50	1778830000
VGM32-K54	M 32 x 1.5	24.0 - 26.0	44.50	11	42/40	25	1777020000
VGM40-K54	M 40 x 1.5	28.0 - 30.0	44.50	11	42/40	25	1777010000
VGM50-K54	M 50 x 1.5	31.0 - 33.0	53	11	53/50	10	1776990000
VGM63-K54	M 63 x 1.5	45.0 - 47.0	58	11	65/60	10	1776980000

PG cable glands, plastic IP54

VG 7-K54	PG 7	5.0 - 7.0	28	8	15/13	50	0521560000
VG 9-K54	PG 9	6.0 - 8.0	29	8	19/17	50	0261560000
VG 11-K54	PG 11	8.0 - 10.0	32	8	22/19	50	0260760000
VG 13.5-K54	PG 13.5	10.0 - 12.0	34	9	24/21	50	0260860000
VG 16-K54	PG 16	12.0 - 14.0	38	10	27/23	25	0261460000
VG 21-K54	PG 21	15.0 - 17.0	43.5	11	32/30	20	0260960000
VG 29-K54	PG 29	24.0 - 26.0	44.5	11	42/40	20	0261060000
VG 36-K54	PG 36	31.0 - 33.0	55	13	53/50	10	0497660000
VG 42-K54	PG 42	39.0 - 40.0	60	13	60/55	10	0497760000
VG 48-K54	PG 48	45.0 - 47.0	61	14	65/60	5	1718760000

all sizes in mm

Plastic IP68



Plastic cable glands IP68; VDE, CSA and UL tested; halogene-free.

EN 50262: Metric



Technical data

Material:	Polyamide
Sealing:	Neoprene
Temperature:	-40°C ... +70°C (peak +100°C)
Protection class:	IP68 / 5 bar in the stated clamping range with GWDR
Colour:	Similar to grey RAL 7035

Ordering data

Type	Thread	Clamp range	L	L1	SW	Qty.	Cat. No.
Metric cable glands, plastic Approval: VDE							
VG M 12 - K 68	M 12 x 1.5	3.0 - 6.5	31	8	15	50	1772280000
VG M 16 - K 68	M 16 x 1.5	5.0 - 10.0	35	10	22	50	1772290000
VG M 20 - K 68	M 20 x 1.5	6.0 - 12.0	43	10	24	50	1772300000
VG M 25 - K 68	M 25 x 1.5	13.0 - 18.0	48	10	33	25	1772310000
VG M 32 - K 68	M 32 x 1.5	18.0 - 25.0	61	15	42	20	1772320000
VG M 40 - K 68	M 40 x 1.5	22.0 - 32.0	72	15	53	20	1772330000
VG M 50 - K 68	M 50 x 1.5	30.0 - 38.0	74	18	60	10	1772340000
VG M 63 - K 68	M 63 x 1.5	34.0 - 44.0	75	18	65	5	1772350000

PG cable glands, plastic

Type	Thread	Clamp range	L	L1	SW	Qty.	Cat. No.
Approval: VDE/UL							
VG 7-K68	PG 7	3.0 - 6.5	30.5	8.0	15	50	1568970000
VG 9-K68	PG 9	4.0 - 8.0	34	8.0	19	50	1568980000
VG 11-K68	PG 11	5.0 - 10.0	37	8.0	22	50	1568990000
VG 13.5-K68	PG 13.5	6.0 - 12.0	39	9.0	24	50	1569000000
VG 16-K68	PG 16	10.0 - 14.0	42.5	10.0	27	25	1569010000
VG 21-K68	PG 21	13.0 - 18.0	48	11.0	33	20	1569020000
VG 29-K68	PG 29	18.0 - 25.0	53	11.0	42	20	1569030000
VG 36-K68	PG 36	22.0 - 32.0	65	13.0	53	10	1569040000
VG 42-K68	PG 42	30.0 - 38.0	68	13.0	60	10	1569050000
VG 48-K68	PG 48	34.0 - 44.0	69	14.0	65	5	1718770000

NPT cable glands, plastic

Type	Thread	Clamp range	L	L1	SW	Qty.	Cat. No.
Approval: UL/CSA							
VG NPT 3/8" 5-10-K 68	NPT 3/8"	5.0 - 10.0	42	15	22	50	1772520000
VG NPT 1/2" 6-12-K 68	NPT 1/2"	6.0 - 12.0	42	15	24	50	1772550000
VG NPT 1/2" 10-14-K 68	NPT 1/2"	10.0 - 14.0	45	15	27	25	1772560000
VG NPT 3/4" 13-18-K 68	NPT 3/4"	13.0 - 18.0	46	15	33	20	1772590000
VG NPT 1" 18-25-K 68	NPT 1"	18.0 - 25.0	60	18	42	20	1772600000

all sizes in mm

Cable Glands

Cable glands brass IP54



Brass screw fitting with hexagon threaded sleeve

Technical data

Material:	Nickel plated brass
Sealing:	Soft rubber
Temperature:	-20°C ... +60°C
Protection class:	IP54 (with thread sealing ring Type GWDR ...-PO = IP65)

Ordering data

Type	Thread	Clamp range	L	L1	SW1/SW2	Qty.	Cat. No.
Metric cable glands, brass IP 54, hexagon							
VGM12-MS54	M 12 x 1.5	5.0 - 7.0	21.50	6	14/13	100	1778410000
VGM12-MS54	M 12 x 1.5	6.0 - 8.0	22	6	17/15	100	1778400000
VGM16-MS54	M 16 x 1.5	8.0 - 10.0	26	6	20/18	100	1778390000
VGM20-MS54	M 20 x 1.5	8.0 - 10.0	26.50	6.50	22/18	50	1778380000
VGM20-MS54	M 20 x 1.5	10.0 - 12.0	26.50	6.50	22/20	50	1778370000
VGM25-MS54	M 25 x 1.5	12.0 - 14.0	27.50	7	27/22	50	1778360000
VGM25-MS54	M 25 x 1.5	15.0 - 17.0	29.50	7	30/28	50	1778350000
VGM32-MS54	M 32 x 1.5	24.0 - 26.0	33	8	40/38	25	1778340000
VGM40-MS54	M 40 x 1.5	28.0 - 30.0	33	8	43/37	25	1778330000
VGM50-MS54	M 50 x 1.5	31.0 - 33.0	39	9	55/47	10	1778320000
VGM50-MS54	M 50 x 1.5	39.0 - 41.0	43	9	57/54	5	1778310000
VGM63-MS54	M 63 x 1.5	45.0 - 47.0	45	10	68/60	5	1778300000

PG cable glands, brass IP 54, hexagon

VG 7-MS54	PG 7	5.0 - 7.0	20.5	5	14/13	50	0521500000
VG 9-MS54	PG 9	6.0 - 8.0	22	6	17/15	50	0261500000
VG 11-MS54	PG 11	8.0 - 10.0	26	6	20/18	50	0260700000
VG 13.5-MS54	PG 13.5	10.0 - 12.0	26	6.5	22/20	50	0260800000
VG 16-MS54	PG 16	12.0 - 14.0	27	6.5	24/22	25	0261400000
VG 21-MS54	PG 21	15.0 - 17.0	29.5	7	30/28	20	0260900000
VG 29-MS54	PG 29	24.0 - 26.0	33	8	40/37	20	0261000000
VG 36-MS54	PG 36	33.0 - 35.0	39	9	50/47	10	0497600000
VG 42-MS54	PG 42	41.0 - 43.0	44	10	57/54	10	0497700000
VG 48-MS54	PG 48	45.0 - 47.0	45	10	64/60	5	1718780000

all sizes in mm

Cable glands brass IP68



Brass cable gland IP68 with strain relief.

Reduced clamping range on request.

Multiple sealing insert on request.

Technical data

Material:	Nickel plated brass
Sealing:	Neoprene
Temperature:	-40°C ... +70°C (peak +100°C)
Protection class:	IP 68 / 5 bar with GWDR in clamp range

Ordering data

Type	Thread	Clamp range	L	L1	SW	Qty.	Cat. No.
Metric cable glands, brass							
VG M 12 - MS 68 M	M 12 x 1.5	3.0 - 6.5	24	5	14	50	1772200000
VG M 16 - MS 68 M	M 16 x 1.5	5.5 - 10.0	28	5.5	17	50	1772210000
VG M 20 - MS 68 M	M 20 x 1.5	8.0 - 13.0	32	6	22	50	1772220000
VG M 25 - MS 68 M	M 25 x 1.5	11.0 - 18.0	35	7	30	20	1772230000
VG M 32 - MS 68 M	M 32 x 1.5	15.0 - 21.0	39	8	34	20	1772240000
VG M 40 - MS 68 M	M 40 x 1.5	19.0 - 27.0	53	8	44	10	1772250000
VG M 50 - MS 68 M	M 50 x 1.5	26.0 - 35.0	55	9	55	10	1772260000
VG M 63 - MS 68 M	M 63 x 1.5	34.0 - 45.0	58	10	66	5	1772270000

PG cable glands, brass IP 68

VG 7-MS68	PG 7	3.0 - 6.5	23	5	14	50	1569060000
VG 9-MS68	PG 9	4.0 - 10.0	27	6	17	50	1569070000
VG 11-MS68	PG 11	5.0 - 10.0	28.5	6	20	50	1569080000
VG 13.5-MS68	PG 13.5	6.0 - 12.0	29.5	6.5	22	50	1569090000
VG 16-MS68	PG 16	10.0 - 14.0	29.5	6.5	24	25	1569100000
VG 21-MS68	PG 21	13.0 - 18.0	33.5	7	30	20	1569110000
VG 29-MS68	PG 29	18.0 - 25.0	37.5	8	40	20	1569120000
VG 36-MS68	PG 36	22.0 - 32.0	45	9	50	10	1569130000
VG 42-MS68	PG 42	30.0 - 38.0	47.5	10	57	10	1569140000
VG 48-MS68	PG 48	34.0 - 44.0	50.5	10	64	5	1718790000

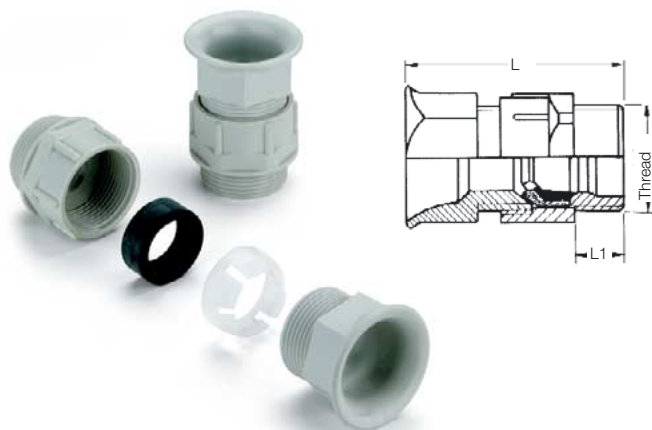
NPT cable glands, brass

VG NPT 3/8" - MS 68NPT 3/8"	4.0 - 8.0	36	15	17	50	1772370000
VG NPT 1/2" - MS 68NPT 1/2"	6.0 - 12.0	36	13	22	50	1772380000
VG NPT 3/4" - MS 68NPT 3/4"	13.0 - 18.0	39	13	30	20	1772390000

all sizes in mm

Cable Glands

Plastic cable glands with bending protection



Cable gland with bending protection and internal strain relief. Clamping profile made of Hostaform C.

Cable glands brass with bending protection



Cable gland with bending protection and internal strain relief. Without external strain relief clamp. Clamping profile made of Hostaform C.

Technical data

Material:	Polyamide, glass fibre reinforced
Sealing:	Soft rubber
Temperature:	-10°C...+80°C
Protection class:	IP 65
Colour:	Similar to grey RAL 7035

Ordering data

Type	Thread	Clamp range	L	L1	SW	Qty.	Cat. No.
Metric KV plastic cable glands, bending protection							
VGM12-K65 BS	M 12 x 1.5	6.0 - 8.0	40	11	19	50	1778750000
VGM16-K65 BS	M 16 x 1.5	6.0 - 8.0	40	11	19	50	1778760000
VGM20-K65 BS	M 20 x 1.5	8.0 - 10.0	45	11	22	50	1778770000
VGM20-K65 BS	M 20 x 1.5	10.0 - 12.0	57	11	24	50	1778780000
VGM25-K65 BS	M 25 x 1.5	12.0 - 14.0	51	11	27	50	1778790000
VGM25-K65 BS	M 25 x 1.5	14.0 - 18.0	53	11	33	25	1778800000
VGM32-K65 BS	M 32 x 1.5	18.0 - 24.0	60	11	42	25	1778810000

PG KV plastic cable glands, bending protection

VG 7-K65 BS	PG 7	4.0 - 6.0	36	8	15	50	1720400000
VG 9-K65 BS	PG 9	6.0 - 8.0	37	8	19	50	1720410000
VG 11-K65 BS	PG 11	8.0 - 10.0	42	8	22	50	1720420000
VG 13.5-K65 BS	PG 13.5	10.0 - 12.0	45	9	24	50	1720430000
VG 16-K65 BS	PG 16	12.0 - 14.0	50	10	27	25	1720440000
VG 21-K65 BS	PG 21	14.0 - 18.0	53	11	32	20	1720450000
VG 29-K65 BS	PG 29	18.0 - 24.0	60	11	42	20	1720460000

all sizes in mm

Technical data

Material:	Nickel plated brass
Sealing:	Soft rubber
Temperature:	-10°C...+80°C
Protection class:	IP 65

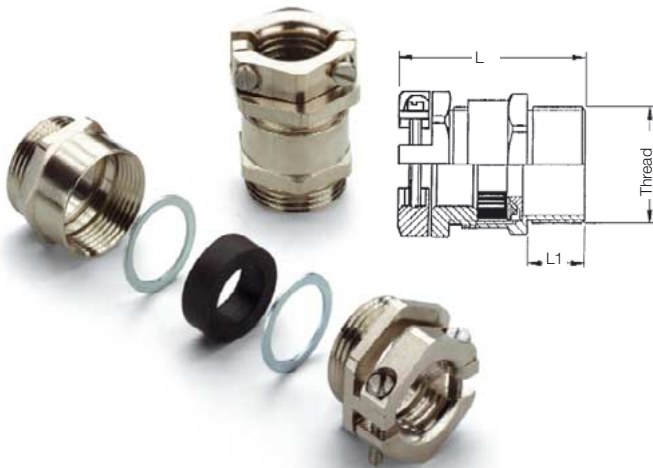
Ordering data

Type	Thread	Clamp range	L	L1	SW1/SW2	Qty.	Cat. No.
PG KV cable glands, brass, bending protection							
VG 9-MS65 BS	PG 9	6.0 - 8.0	35	6	19/15	50	1720340000
VG 11-MS65 BS	PG 11	8.0 - 10.0	35	6	22/19	50	1720350000
VG 13.5-MS65 BS	PG 13.5	10.0 - 12.0	36	6.5	24/20	50	1720360000
VG 16-MS65 BS	PG 16	12.0 - 14.0	40	7	27/30	25	1720370000
VG 21-MS65 BS	PG 21	14.0 - 18.0	44	7	32/34	20	1720380000
VG 29-MS65 BS	PG 29	18.0 - 24.0	50	8	41/46	20	1720390000

all sizes in mm

Cable Glands

Cable glands brass IP54 with gripping jaw



With centred strain relief

Technical data

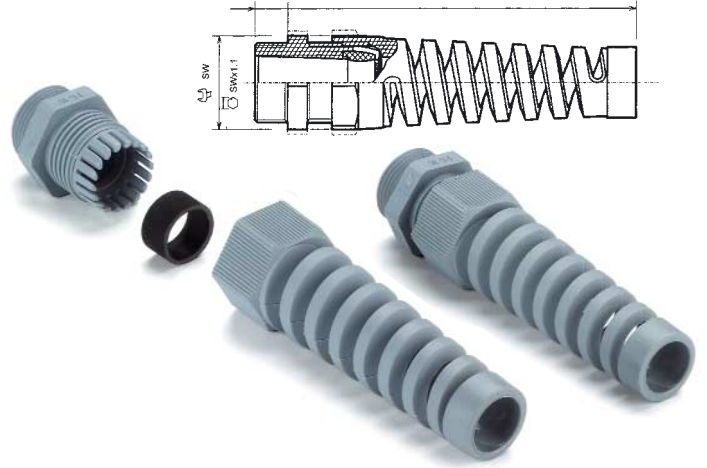
Material:	Nickel plated brass
Sealing:	Neoprene
Temperature:	-30°C ... +90°C
Protection class:	IP54 (with thread sealing ring type GWDR ...-PO = IP65)

Ordering data

Type	Thread	Clamp range	L	L1	SW1/SW2	Qty.	Cat. No.
Metric cable glands, brass IP 54, hexagon							
VG M12-MS54ZE	M 12 x 1.5	5.0 - 7.0	21.50	6	14	100	1778420000
VG M12-MS54ZE	M 12 x 1.5	4.0 - 9.5	22	6	17	100	1778430000
VG M16-MS54ZE	M 16 x 1.5	4.0 - 9.5	26	6	18	100	1778440000
VG M20-MS54ZE	M 20 x 1.5	6.0 - 11.5	26.50	6.50	22	50	1778450000
VG M20-MS54ZE	M 20 x 1.5	6.0 - 13.5	26.50	6.50	22	50	1778460000
VG M25-MS54ZE	M 25 x 1.5	6.0 - 15.5	27.50	7	30	50	1778470000
VG M25-MS54ZE	M 25 x 1.5	9.0 - 21.5	29.50	7	30	50	1778480000
VG M32-MS54ZE	M 32 x 1.5	17.0 - 29.5	33	8	39	25	1778490000
VGM40-MS54ZE	M 40 x 1.5	17.0 - 29.5	33	8	43	25	1778500000
VG M50-MS54ZE	M 50 x 1.5	23.0 - 36.5	39	9	55	10	1778510000
VG M50-MS54ZE	M 50 x 1.5	29.0 - 42.5	43	9	57	5	1778520000
VG M63-MS54ZE	M 63 x 1.5	35.0 - 46.5	45	10	68	5	1778530000
PG cable glands, brass IP 54, hexagon							
VG 7-MS54-ZE	PG 7	5.0 - 7.0	27	5	14/16	50	1718800000
VG 9-MS54-ZE	PG 9	4.0 - 11.0	30.5	6	17/19	50	1718810000
VG 11-MS54-ZE	PG 11	6.0 - 13.0	31.5	6	20/22	50	1718820000
VG 13.5-MS54-ZE	PG 13.5	6.0 - 13.0	32	6.5	22/24	50	1718830000
VG 16-MS54-ZE	PG 16	6.0 - 16.0	33	6.5	24/27	25	1718840000
VG 21-MS54-ZE	PG 21	9.0 - 20.0	38	7	30/34	20	1718850000
VG 29-MS54-ZE	PG 29	17.0 - 28.0	43	8	40/42	20	1718860000
VG 36-MS54-ZE	PG 36	23.0 - 34.0	49.5	9	50/52	10	1718870000
VG 42-MS54-ZE	PG 42	29.0 - 40.0	53.5	10	57/62	10	1718880000
VG 48-MS54-ZE	PG 48	35.0 - 46.0	55	10	64/68	5	1718890000

all sizes in mm

Plastic cable glands with strain relief spiral cap



Cable gland specially for moveable connections.; Approvals to VDE-, CSA and UL; halogen-free.

Reduced clamp range on request

EN 50262: Metric

Technical data

Material:	Polyamide 6
Sealing:	Neoprene
Temperature:	-40°C...+70°C (peak 150°C)
Protection class:	IP 68 / 5 bar with GWDR

Colour: Similar to grey RAL 7035 (on request 9005)

Ordering data

Type	Thread	Clamp range	L	L1	SW	Qty.	Cat. No.
Metric plastic cable glands with strain relief spiral cap							
VGM12-K68 SKS	M 12 x 1.5	3.0 - 6.5	66.5	8	15	100	1776700000
VGM16-K68 SKS	M 16 x 1.5	5.0 - 10.0	80	10	22	50	1776710000
VGM20-K68 SKS	M 20 x 1.5	6.0 - 12.0	106	11	24	50	1778860000
VGM20-K68 SKS	M 20 x 1.5	10.0 - 14.0	106	15	27	50	1776720000
VGM25-K68 SKS	M 25 x 1.5	13.0 - 18.0	129	15	33	25	1776730000
PG plastic cable glands with strain relief spiral cap							
VG 7-K68 SKS	PG 7	3.0 - 6.5	62	8	15	50	1720470000
VG 9-K68 SKS	PG 9	4.0 - 8.0	78	8	19	50	1720480000
VG 11-K68 SKS	PG 11	5.0 - 10.0	84	8	22	50	1720490000
VG 13.5-K68 SKS	PG 13.5	6.0 - 12.0	105	9	24	50	1720500000
VG 16-K68 SKS	PG 16	10.0 - 14.0	117	10	27	25	1720510000
VG 21-K68 SKS	PG 21	13.0 - 18.0	130	11	33	20	1720520000

all sizes in mm

Cable Glands

EMC cable glands



High shielding factor up to 100 dB. An endless lock washer is pressed against the cable armour by two conical rings; thus guaranteeing a reliable and safe contact. This ensures that the shield braiding is inserted into the enclosure.

Technical data

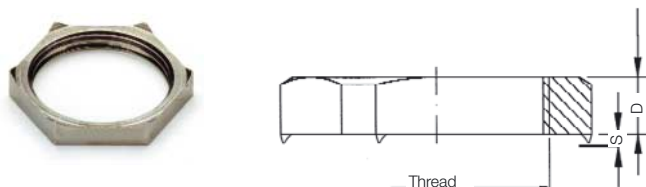
Material:	Nickel plated brass
Sealing:	TPE-V (thermoplastic elastomer)
O-Ring:	Perbunane
Temperature:	-40°C ... +135°C (kurzzeitig bis 150°C)
Protection class:	IP 68

Ordering data

Type	Thread	Clamp range	Shield-Ø	L	SW	Qty.	Cat. No.
Metric cable glands, brass							
VG EMV M18x1.5	M 18x1.5	6.0 - 9.5	3.0 - 7.0	26.7	24	5	1706920000
VG EMV M20x1.5	M 20x1.5	7.0 - 11.0	4.0 - 8.5	26.7	24	5	1706940000
VG EMV M24x1.5	M 24x1.5	16.5 - 14.0	8.0 - 12.0	33.5	30	5	1706930000
VG EMV M25x1.5	M 25x1.5	16.5 - 14.0	8.0 - 12.0	33.5	30	5	1706950000
PG cable glands, brass							
VG EMV Pg 7/9	PG 7 / 9	4.0 - 6.0	1.5 - 4.0	32.9	17	20	1713870000
VG EMV Pg 9/11	PG 9 / 11	6.5 - 9.5	2.5 - 6.5	32.9	20	20	1706860000
VG EMV Pg 11	PG 11	6.0 - 9.0	3.5 - 7.5	39.6	24	20	1706870000
VG EMV Pg 13.5	PG 13.5	7.0 - 10.5	4.0 - 8.5	39.0	24	10	1706880000
VG EMV Pg 16	PG 16	10.0 - 14.0	8.0 - 13.0	40.5	30	10	1706890000
VG EMV Pg 16	PG 16	14.0 - 18.0	8.0 - 13.0	40.5	30	10	1713880000
VG EMV Pg 21	PG 21	14.0 - 18.0	10.0 - 15.0	40.5	35	10	1706900000
VG EMV Pg 21	PG 21	17.0 - 28.0	12.5 - 17.5	40.5	35	10	1713890000
VG EMV Pg 29	PG 29	22.0 - 26.0	15.0 - 21.0	43.5	40	5	1706910000
VG EMV Pg 29	PG 29	25.0 - 29.0	18.0 - 25.0	55.3	40	5	1713900000
VG EMV Pg 36	PG 36	32.0 - 27.0	18.0 - 25.0	55.3	40	5	1770410000

all sizes in mm

Lock nut brass



These lock nuts are equipped with six cutting elements, which cut into the painted insulating layer of the enclosure; thus creating an optimum contact.

Technical data

Material:	Nickel plated brass

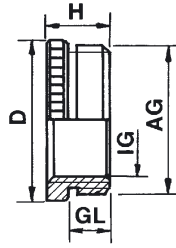
Ordering data

Type	Thread	D	S	SW	Qty.	Cat. No.
Metric lock nut EMC brass						
SKMU EMV M10	M 10 x 1	3.10	1.0	12	100	1777600000
SKMU EMV M12	M 12 x 1.5	3.60	1.0	14	100	1777610000
SKMU EMV M16	M 16 x 1.5	3.60	1.0	18	100	1777620000
SKMU EMV M20	M 20 x 1.5	3.60	1.0	23	100	1777630000
SKMU EMV M25	M 25 x 1.5	3.60	1.0	28	50	1777640000
SKMU EMV M32	M 32 x 1.5	4.10	1.0	36	25	1777650000
SKMU EMV M40	M 40 x 1.5	4.60	1.0	44	25	1777660000
SKMU EMV M50	M 50 x 1.5	4.60	1.0	54	10	1777670000
SKMU EMV M63	M 63 x 1.5	6.60	1.0	70	10	1777680000
PG cable glands lock nut brass with potential compensation						
SKMU EMV Pg7	PG 7	4.7	1.0	15	20	1718900000
SKMU EMV Pg9	PG 9	4.7	1.0	18	20	1718910000
SKMU EMV Pg11	PG 11	4.7	1.0	21	20	1718920000
SKMU EMV Pg13.5	PG 13.5	4.7	1.0	23	10	1718930000
SKMU EMV Pg16	PG 16	4.7	1.0	26	10	1718940000
SKMU EMV Pg21	PG 21	5.2	1.0	32	10	1718950000
SKMU EMV Pg29	PG 29	5.7	1.0	41	5	1718960000

all sizes in mm

Cable Glands

Reductions, hexagon, metal



Technical data

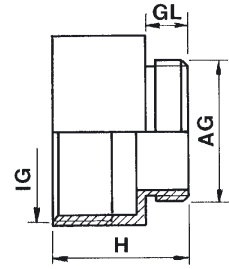
Material:	Nickel plated brass
Temperature:	-40°C ... +100°C
Protection class:	IP55

Ordering data

Type	Thread ext.	Thread int.	L (mm)	L1 (mm)	Qty.	Cat. No.
RD 11/09	Pg 11	Pg 9	8.5	6	50	1656070000
RD 13/09	Pg 13.5	Pg 9	9	6.5	50	1656080000
RD 13/11	Pg 13.5	Pg 11	9	6.5	50	1656090000
RD 16/11	Pg 16	Pg 11	9.5	6.5	50	1656110000
RD 16/13	Pg 16	Pg 13.5	9.5	6.5	50	1656120000
RD 21/13	Pg 21	Pg 13.5	10	7	20	1656130000
RD 21/16	Pg 21	Pg 16	10	7	20	1656140000
RD 29/16	Pg 29	Pg 16	11.5	8	20	1656150000
RD 29/21	Pg 29	Pg 21	11.5	8	20	1656160000
RD 36/21	Pg 36	Pg 21	12.5	9	10	1656170000
RD 36/29	Pg 36	Pg 29	12.5	9	10	1656180000
RD 42/29	Pg 42	Pg 29	14	10	10	1656190000

all sizes in mm

Extensions, metal



Technical data

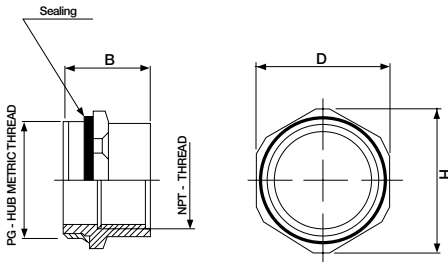
Material:	Nickel plated brass
Temperature:	-40°C ... +100°C
Protection class:	IP54

Ordering data

Type	Thread ext.	Thread int.	L (mm)	L1 (mm)	SW (mm)	Qty.	Cat. No.
EW 11/13	Pg 11	Pg 13.5	11.5	6	22	50	1656200000
EW 11/16	Pg 11	Pg 16	12.5	6	24	50	1656210000
EW 13/16	Pg 13.5	Pg 16	12.5	6.5	24	50	1656220000
EW 13/21	Pg 13.5	Pg 21	14.5	6.5	30	50	1656230000
EW 16/21	Pg 16	Pg 21	14.5	6.5	30	20	1656240000
EW 21/29	Pg 21	Pg 29	16	7	39	20	1656250000
EW 29/36	Pg 29	Pg 36	19.5	8	50	20	1656260000
EW 36/42	Pg 36	Pg 42	23	9	57	20	1656270000

all sizes in mm

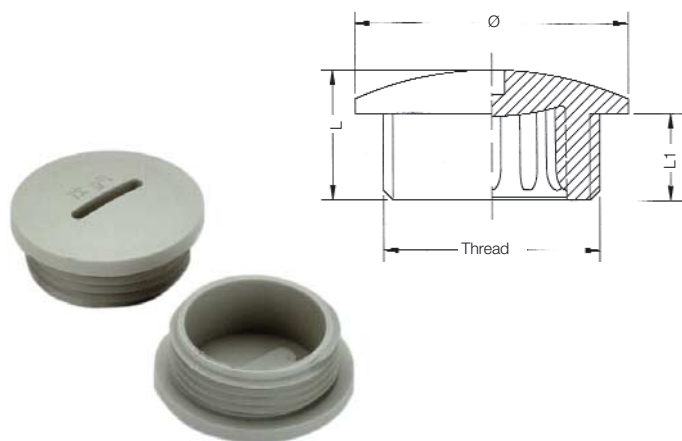
Adapter Pg / NPT



Cat. No.	Type	Metric	NPT	B		H		D	
				(mm)	(inch)	(mm)	(inch)	(mm)	(inch)
1712340000	Pg 11/NPT 3/8"	Pg 11	3/8"	20	0.787	24	0.945	22	0.866
1712350000	Pg 13.5/NPT 1/2"	Pg 13.5	1/2"	22.5	0.886	29.2	1.150	27	1.063
1712360000	Pg 16/NPT 1/2"	Pg 16	1/2"	22.8	0.898	29.2	1.150	27	1.063
1712370000	Pg 21/NPT 3/4"	Pg 21	3/4"	25	0.984	35.2	1.386	32	1.260
1712390000	Pg 29/NPT 1"	Pg 29	1"	30	1.181	43.5	1.713	40	1.575
1712380000	Pg 36/NPT 1 1/4"	Pg 36	1 1/4"	32	1.260	55	2.165	50	1.969

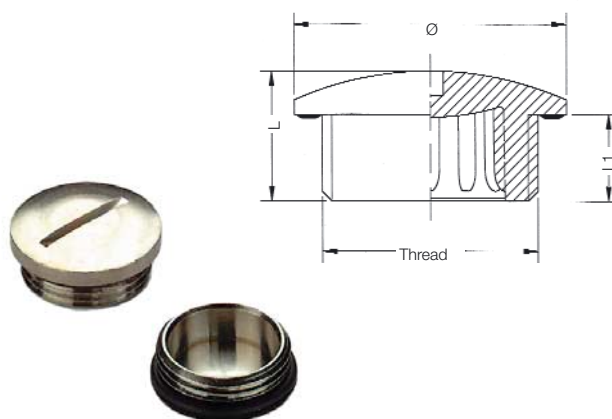
Cable Glands

Sealing plug, plastic



Glass fibre reinforced polyamide offers an excellent resistance to various chemicals.

Sealing plug, brass



Self-sealing version with O-ring made of Perbunane. Also available with a hexagon head.

Technical data

Material:	Polyamide, glass fibre reinforced
Temperature:	-40°C ... +100°C
Protection class:	IP54 (with thread sealing ring Type GWDR ...-PO = IP66)
Colour:	Similar to grey RAL 7035
DIN:	46320

Technical data

Material:	Nickel plated brass
Sealing:	O-ring made of perbunane
Temperature:	-40°C ... +100°C
Protection class:	IP65

Ordering data

Type	Thread	L	L1	Head Ø	Qty.	Cat. No.
Metric cable glands, plastic						
VP M12-K54	M12 x 1.5	10.0	6	15	100	1776930000
VP M16-K54	M16 x 1.5	11.5	7	19	100	1776920000
VP M20-K54	M20 x 1.5	12.5	7.5	22	100	1776910000
VP M25-K54	M25 x 1.5	15.0	11	27	100	1776900000
VP M32-K54	M32 x 1.5	16.0	11	34	100	1776940000
VP M40-K54	M40 x 1.5	18.0	12	42	50	1776950000
VP M50-K54	M50 x 1.5	20.0	13	52	50	1776960000
VP M63-K54	M63 x 1.5	20.0	14	65	50	1776970000

PG cable glands, plastic

VP 7-K54	PG 7	8	6	15	50	1719250000
VP 9-K54	PG 9	9	6	19	50	0294760000
VP 11-K54	PG 11	10.5	6.5	22	50	0294860000
VP 13.5-K54	PG 13.5	9.5	6	25	50	0294960000
VP 16-K54	PG 16	9.5	6	27	25	0295060000
VP 21-K54	PG 21	11	8	33	20	0295160000
VP 29-K54	PG 29	12	8	44	20	0501160000
VP 36-K54	PG 36	15	10	55	10	0501260000
VP 42-K54	PG 42	16	10	62	10	0501360000
VP 48-K54	PG 48	16	12	69	5	1719260000

all sizes in mm

Ordering data

Type	Thread	L	L1	Head-Ø	Qty.	Cat. No.
Metric cable glands, brass						
VP M16 - MS65	M 16	5.0	18	100	1777730000	
VP M20 - MS65	M 20	6.5	22	100	1777740000	
VP M25 - MS65	M 25	7.0	28	100	1777750000	
VP M32 - MS65	M 32	8.0	35	50	1777760000	
VP M40 - MS65	M 40	8.0	45	50	1777770000	
VP M50 - MS65	M 50	9.0	55	25	1777780000	
VP M63 - MS65	M 63	10.0	68	10	1777790000	

PG cable glands, brass

VP 7-MS65	PG 7	8	5	16	50	0521600000
VP 9-MS65	PG 9	7.9	4.5	19	50	0294700000
VP 11-MS65	PG 11	7.9	4.5	22	50	0294800000
VP 13.5-K65	PG 13.5	9.5	6	24	50	0294900000
VP 16-MS65	PG 16	9	6	26	25	0295000000
VP 21-MS65	PG 21	10	6	32	20	0295100000
VP 29-MS65	PG 29	12	8	39	20	0501100000
VP 36-MS65	PG 36	15	9	50	10	0501200000
VP 42-MS65	PG 42	16	10	57	10	0501300000
VP 48-MS65	PG 48	16	10	64	5	1719270000

all sizes in mm

