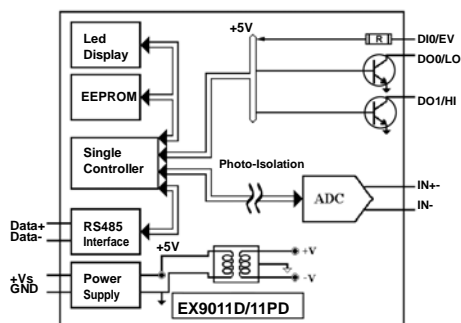


### EX9011PD



Resolution: 16bit

**Analog I/P channel: 1 diff**

Sampling rate: 10Hz

Voltage I/P: +/-15mV, +/-50mV,

+/-100mV, +/-500mV, +/-1V, +/-2.5V

Current I/P: +/-20mA

Sensor I/P: J, K, T, E, R, S, B, N, C, L, M

4.5 digit LED

Isolation: 3000V

**Digital I/P Channels: 1 diff**

**Digital O/P Channels: 2 open collector**

Event Counter

H/L Alarm

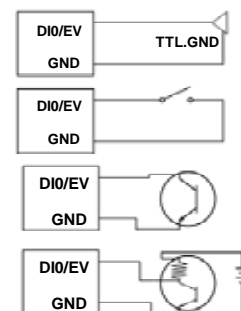
Dual Watchdog Timer

Power I/P: +10V to +30V

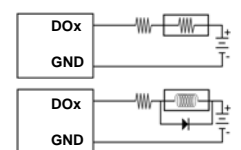
Power Consumption: 1.5W

Operating Temp: -25~75

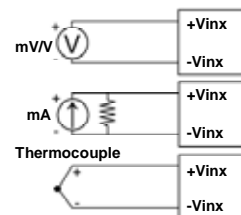
D/I Wire Connection:



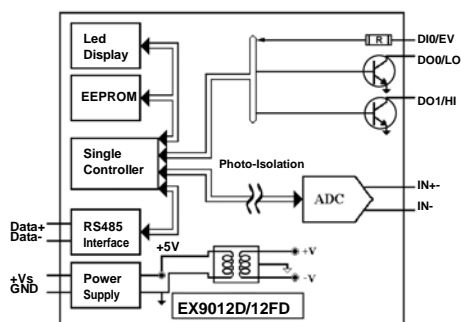
D/O Wire Connection:



A/D Wire Connection:



### EX9012D/12FD



Resolution: 12bit/16bit(9012FD)

**Analog I/P channel: 1 diff**

Sampling rate: 10Hz/100Hz

Voltage I/P: +/-150mV, +/-500mV, +/-1V,

+/-5V, +/-10V

Current I/P: +/-20mA

4.5 digit LED

Isolation: 3000V

**Digital I/P Channels: 1 diff**

**Digital O/P Channels: 2 open collector**

Event Counter

H/L Alarm

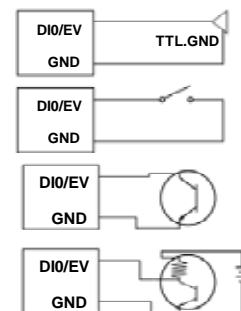
Dual Watchdog Timer

Power I/P: +10V to +30V

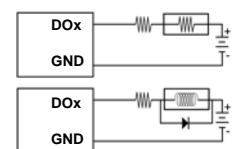
Power Consumption: 1.9W

Operating Temp: -25~75

D/I Wire Connection:



D/O Wire Connection:



A/D Wire Connection:

