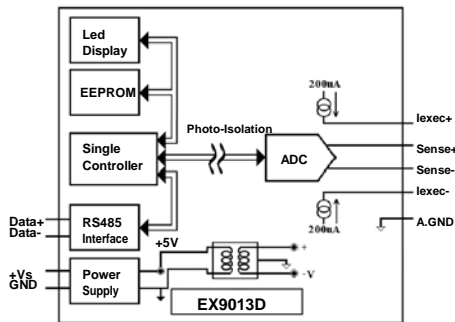


EX9013D



Resolution: 16bit

Analog I/P channel: 1 diff

Sampling rate: 15Hz

Sensor I/P: RTD(Pt, Ni)

4.5 digit LED

Isolation: 3000V

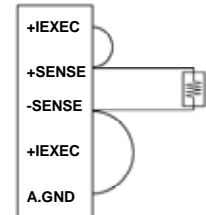
Dual Watchdog Timer

Power I/P: +10V to +30V

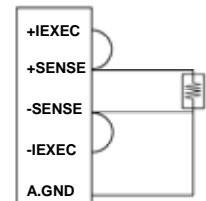
Power Consumption: 2.2W

Operating Temp: -25~75

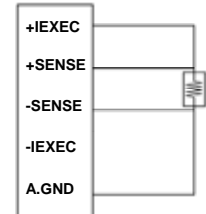
2-wire RTD connection



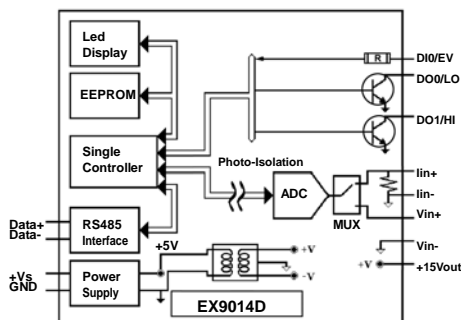
3-wire RTD connection



4-wire RTD connection



EX9014D



Resolution: 16bit

Analog I/P channel: 1 diff

Sampling rate: 10Hz

Voltage I/P: +/-150mV, +/-500mV, +/-1V, +/-5V, +/-10V

Current I/P: +/-20mA

4.5 digit LED

Isolated loop power: 15V

I/P Linear Scaling

Isolation: 3000V

Digital I/P Channels: 1 diff

Digital O/P Channels: 2 open collector

Event Counter

H/L Alarm

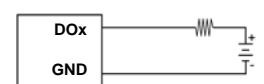
Dual Watchdog Timer

Power I/P: +10V to +30V

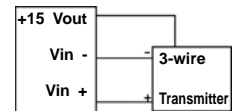
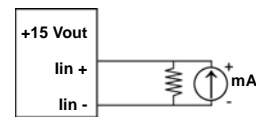
Power Consumption: 1.9W

Operating Temp: -25~75

D/O Wire connection



A/D wire connection



Transmitter A/D

