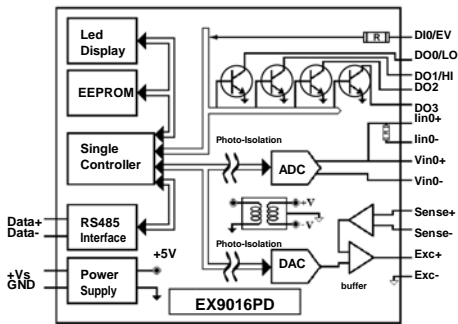


EX9016D



Resolution: 16bit

Analog I/P channel: 1 diff

Sampling rate: 10Hz

Voltage I/P: +/-15mV, +/-50mV, +/-100mV, +/-500mV, +/-1V, +/-2.5V

Current I/P: +/-20mA

Sensor I/P: 6 wire

4.5 digit LED

I/P Liner Scaling

Isolation: 3000V

Digital I/P Channels: 1 diff

Digital O/P Channels: 4 open collector

Event Counter

H/L Alarm

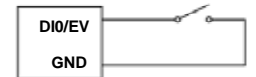
Dual Watchdog Timer

Power I/P: +10V to +30V

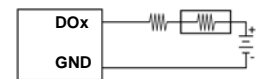
Power Consumption: 1W

Operating Temp: -25~75

D/I Wire Connection:



D/O Wire Connection



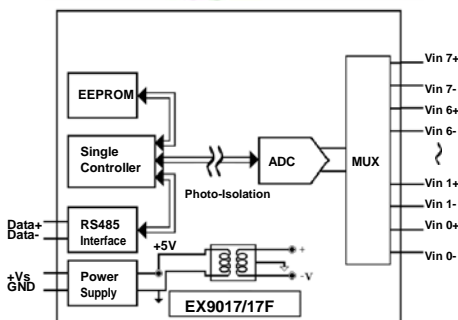
A/D Wire Connection:



D/A Wire Connection:



EX9017/17F



Resolution: 16bit/12bit(9017F)

Analog I/P channel: 8 diff

Sampling rate: 10Hz/75Hz(9017F)

Voltage I/P: +/-150mV, +/-500mV, +/-1V, +/-5V, +/-10V

Current I/P: +/-20mA

Isolation: 3000V

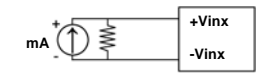
Dual Watchdog Timer

Power I/P: +10V to +30V

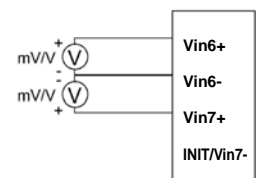
Power Consumption: 1.3W

Operating Temp: -25~75

A/D Wire Connection:



Init* mode connection:



Differential mode Connection:

