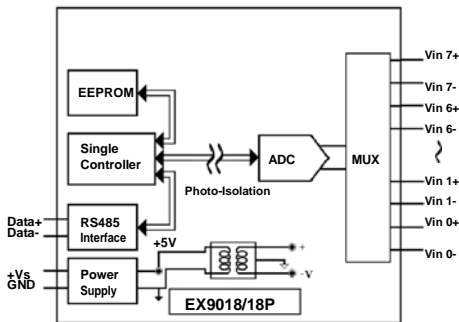


EX9018/9018BL



Resolution: 16bit

Analog I/P channel: 8 diff

Sampling rate: 10Hz

Voltage I/P: +/-15mV, +/-50mV, +/-100mV, +/-500mV, +/-1V, +/-2.5V

Current I/P: +/-20mA

Sensor I/P: J, K, T, E, R, S, B, N, C

Isolation: 3000V

Dual Watchdog Timer

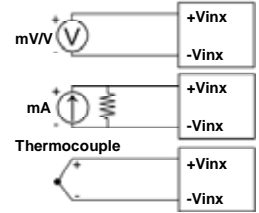
Power I/P: +10V to +30V

Power Consumption: 1W

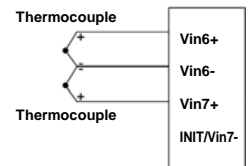
Operating Temp: -25~75

Thermal couple break line detection (9018BL)

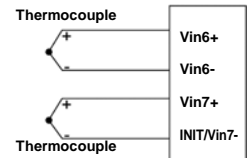
A/D Wire Connection:



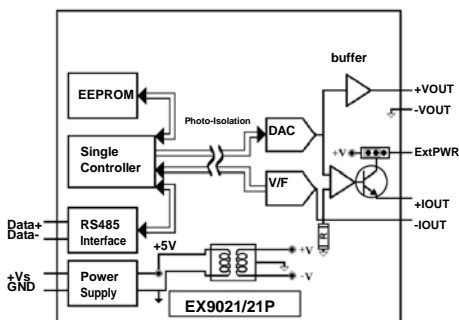
Init* mode connection:



Differential mode Connection:



EX9021



Resolution: 12bit

Analog O/P Channel: 1

Voltage O/P: 0~10V

Current O/P: 0~20mA, 4~20mA

Safe Value (When host fail / Comm fail)

Power-on Value

Dual Watchdog Timer

Power I/P: +10V to +30V

Power Consumption: 2W

Operating Temp: -25~75

Current D/A Wire Connection:

