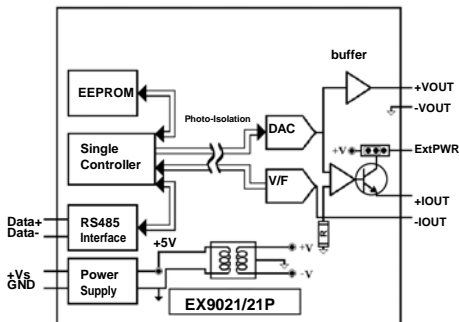


### EX9021P



Resolution: **16bit**

Analog O/P Channel: **1**

Voltage O/P: 0~10V

Current O/P: 0~20mA, 4~20mA

Safe Value (When host fail / Comm fail)

Power-on Value

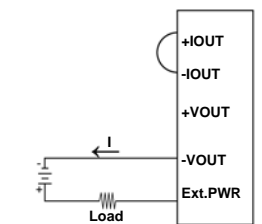
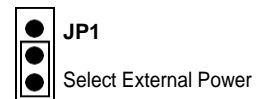
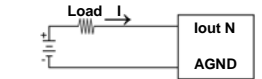
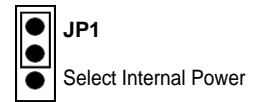
Dual Watchdog Timer

Power I/P: +10V to +30V

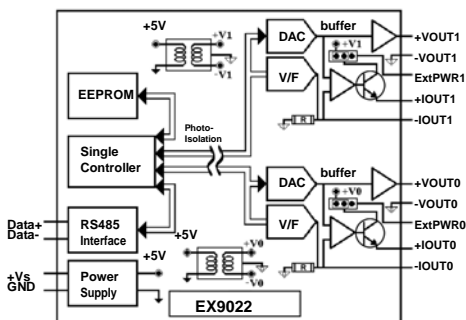
Power Consumption: 2W

Operating Temp: -25~75

Current D/A Wire Connection:



### EX9022



Resolution: 12bit

Analog O/P Channel: **2**

Voltage O/P: 0~10V

Current O/P: 0~20mA, 4~20mA

Safe Value (When host fail / Comm fail)

Power-on Value

Dual Watchdog Timer

Power I/P: +10V to +30V

Power Consumption: 2W

Operating Temp: -25~75

Current D/A Wire Connection:

