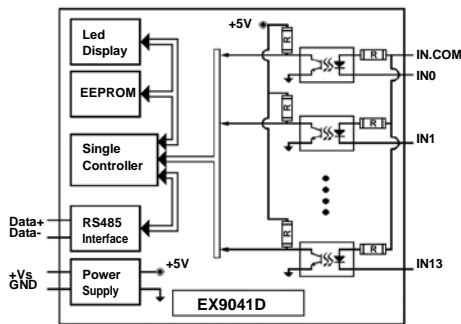


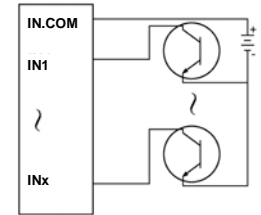
### EX9041D



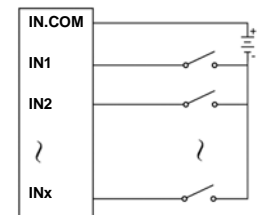
#### Digital I/P channel: 14 Single-ended

Isolation: Isolation with common sources  
 Isolation Voltage: 3750Vrms  
 Digital Level 0: +1V max  
 Digital Level 1: +4V to +30V  
 Input Impedance: 3K Ohms  
 Dual Watchdog Timer  
 Power Input: +10V to 30VDC  
 Power Consumption: 0.9W  
 Operating Temp: -25~75

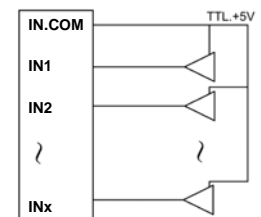
#### Open Collector signal D/I



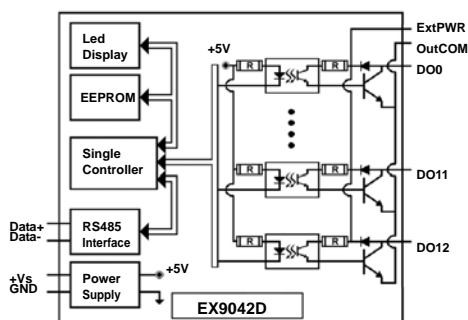
#### Dry Contact signal D/I



#### TTL/CMOS signal D/I



### EX9042D



#### Digital O/P Channel: 13 open collector

Isolation: Isolation with common power  
 Isolation Voltage: 3750Vrms  
 Load Voltage: Max to +30V  
 Max Load current: 100mA  
 Dual Watchdog Timer  
 Power Input: +10V to 30VDC  
 Power Consumption: 1.7W  
 Operating Temp: -25~75

#### D/O Wire Connection:

