

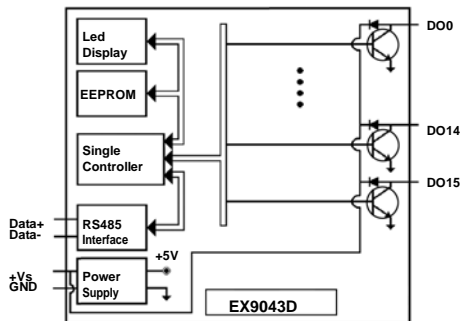
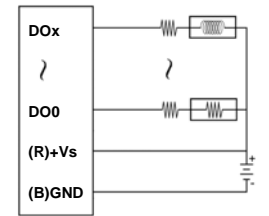
EX9043D



Digital O/P Channel: 16 open collector

Load Voltage: Max to +30V
 Max Load current: 100mA
 Dual Watchdog Timer
 Power Input: +10V to 30VDC
 Power Consumption: 1.1W
 Operating Temp: -25~75

D/O Wire Connection:



EX9044D



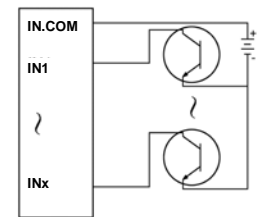
Digital O/P Channel: 8 open collector

Isolation: Isolation with common power
 Isolation Voltage: 3750Vrms
 Load Voltage: Max to +30V
 Max Load current: 375mA

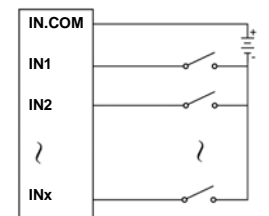
Digital I/P Channel: 4 Single-ended

Isolation: Isolation with common Sources
 Isolation Voltage: 3750Vrms
 Digital Level 0: 1V Max
 Digital Level 1: 4V to 30V
 Input Impedance: 3K Ohms
 Dual Watchdog Timer
 Power Input: +10V to 30VDC
 Power Consumption: 1.7W
 Operating Temp: -25~75

Open Collector signal D/I



Dry Contact signal D/I



D/O Wire Connection:

