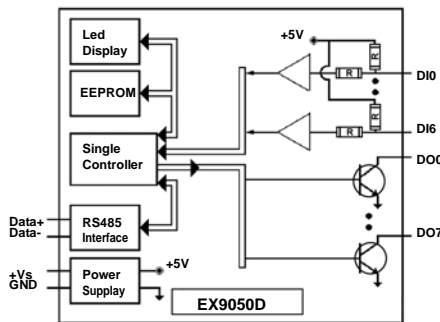


EX9050D



Digital O/P Channel: 8 open collector

Load Voltage: Max to +30V

Max Load current: 30mA

Digital I/P Channel: 7 Single-ended

Digital Level 0: 1V Max

Digital Level 1: 4V to 30V

Input Impedance: 3K Ohms

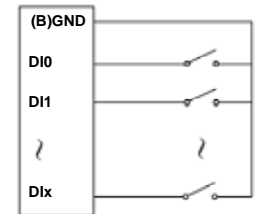
Dual Watchdog Timer

Power Input: +10V to 30VDC

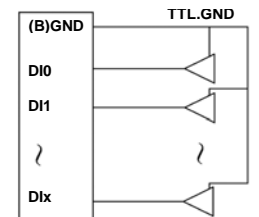
Power Consumption: 1.7W

Operating Temp: -25~75

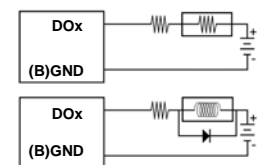
Dry Contact signal D/I



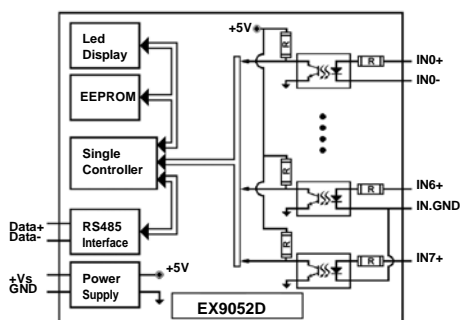
TTL/CMOS signal D/I



D/O Wire Connection:



EX9052D



Digital I/P Channel: 8

Isolation: 6 diff & 2 common ground

Isolation Voltage: 5000Vrms

Digital Level 0: 1V Max

Digital Level 1: 4V to 30V

Input Impedance: 3K Ohms

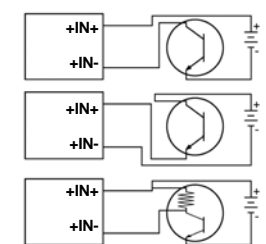
Dual Watchdog Timer

Power Input: +10V to 30VDC

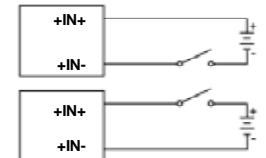
Power Consumption: 0.6W

Operating Temp: -25~75

Open Collector signal D/I



Dry Contact signal D/I



TTL/CMOS signal D/I

