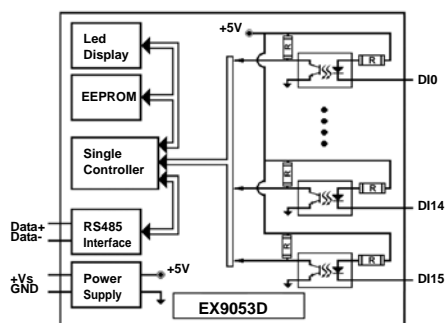


EX9053D



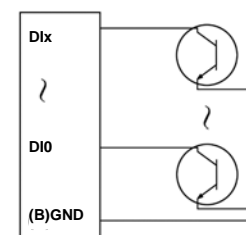
Digital I/P Channel: 16

Digital Level 0: 2V Max
 Digital Level 1: 4V to 30V
 Input Impedance: 820 Ohms
 Dual Watchdog Timer
 Power Input: +10V to 30VDC Power

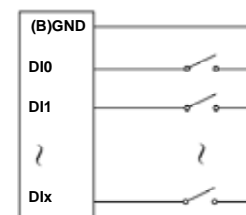
Consumption: 0.9W

Operating Temp: -25~75

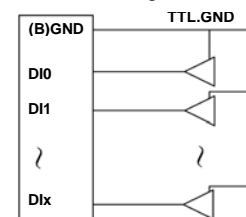
Open Collector signal D/I



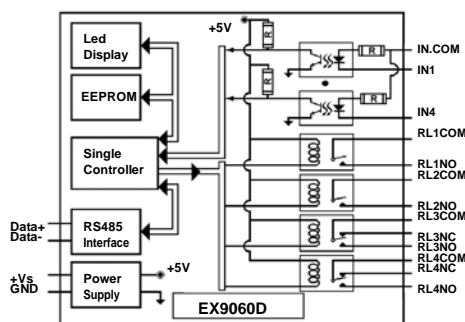
Dry Contact signal D/I



TTL/CMOS signal D/I



EX9060D



Digital O/P Channel: 4

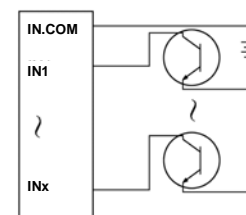
Relay type: Form A: RL1, RL2
 Form B: RL3, RL4

Surge Strength: 500V
 Operate Time: 3mS
 Release Time: 2mS
 Min. Life: 5×10^5 ops

Digital I/P Channel: 4

Isolation: Isolation with common Sources
 Isolation Voltage: 3750Vrms
 Digital Level 0: 1V Max
 Digital Level 1: 4V to 30V
 Input Impedance: 3K Ohms
 Dual Watchdog Timer
 Power Input: +10V to 30VDC
 Power Consumption: 1.9W
 Operating Temp: -25~75

Open Collector signal D/I



Relay O/P on:

