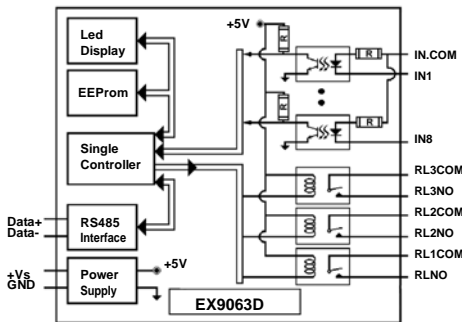


### EX9063D/AD/BD



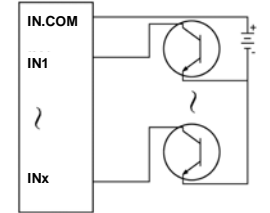
#### Digital O/P Channel: 3

Relay type: **9063D** 5A@250VAC/30VDC  
**9063AD** AC-SSR Normal Open  
**9063BD** DC-SSR Normal Open

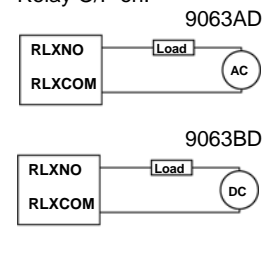
#### Digital I/P Channel: 8

Isolation: Isolation with common Sources  
 Isolation Voltage: 3750Vrms  
 Digital Level 0: 1V Max  
 Digital Level 1: 4V to 30V  
 Input Impedance: 3K Ohms  
 Dual Watchdog Timer  
 Power Input: +10V to 30VDC  
 Power Consumption: 1.5W  
 Operating Temp: -25~75

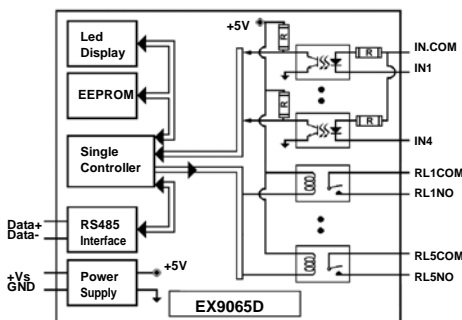
#### Open Collector signal D/I



#### Relay O/P on:



### EX9065D/AD/BD



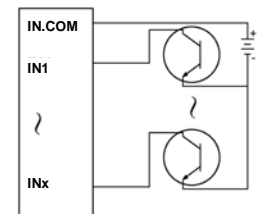
#### Digital O/P Channel: 5

Relay type: **9065D** 5A@250VAC/30VDC  
**9065AD** AC-SSR Normal Open  
**9065BD** DC-SSR Normal Open

#### Digital I/P Channel: 4

Isolation: Isolation with common Sources  
 Isolation Voltage: 3750Vrms  
 Digital Level 0: 1V Max  
 Digital Level 1: 4V to 30V  
 Input Impedance: 3K Ohms  
 Dual Watchdog Timer  
 Power Input: +10V to 30VDC  
 Power Consumption: 1.5W  
 Operating Temp: -25~75

#### Open Collector signal D/I



#### Relay O/P on:

