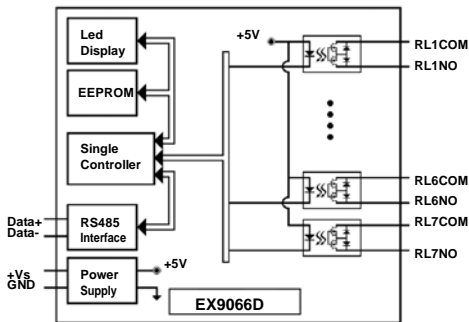


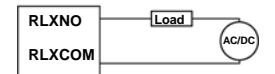
### EX9066D



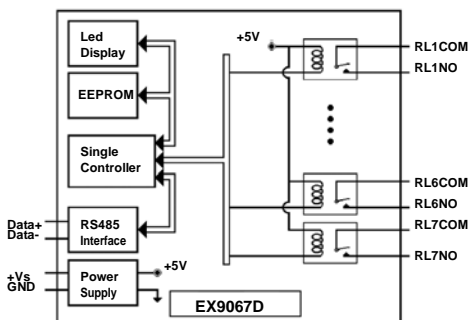
#### Digital O/P Channel: 7 (PhotoMOS)

Load Current: 0.13A  
 Load Voltage: 350V Max  
 Isolation Voltage: 350V Max  
 TurnOn Time: 0.7mS typ  
 TurnOff Time: 0.05mS typ  
 Power Input: +10V to +30VDC  
 Dual Watchdog Timer  
 Power Input: +10V to 30VDC  
 Power Consumption: 1.9W  
 Operating Temp: -25~75

Relay O/P on:



### EX9067D



#### Digital O/P Channel: 7

Relay type: Form A  
 Contact Rating: 0.5A@120AC, 1A@24VDC  
 Surge Strength: 1500V  
 Operate Time: 5mS Max  
 Release Time: 2mS Max  
 Min. Life: 10<sup>5</sup>ops  
 Dual Watchdog Timer  
 Power Input: +10V to 30VDC  
 Power Consumption: 1.9W  
 Operating Temp: -25~75

Relay O/P on:

