

# EX9188 Series

Industrial embedded controller

## EX9188XD Series

### Key Specification/Special Features:

- EX9188XD Series : Support 4/5/8 RS232/RS485 devices
- COM4 Can be used to download program and can be RS232 port
- Watchdog support for system recovery
- CPU : 80188, 40MHZ
  - SRAM : 256KB
  - FLASH ROM : 512KB
  - EEPROM : 2KB
  - EMBEDDED OS : RomDos(Datalight)
  - Optional: 512KB SRAM, RTC**
- 3000V Isolation option
- Operating Temp: -25~75
- Power input: +10 to 30VDC (35/48VDC Available)
- Series : EX9188AD, EX9188AD-512, EX9188A5D, EX9188A5D-512, EX9188A8D, EX9188A8D-512

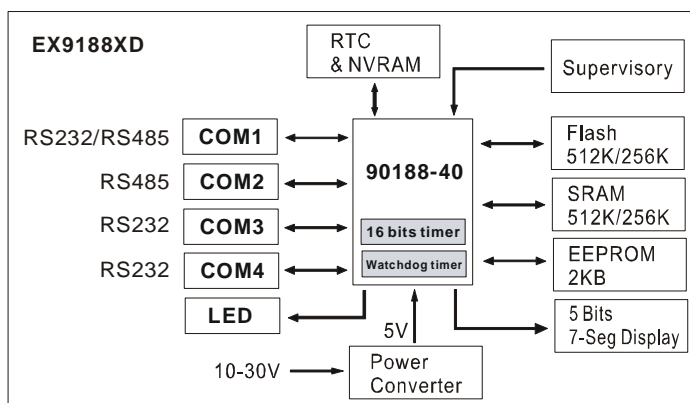


### Serial products:

Model	EX9188AD	EX9188AD-512	EX9188A5D	EX9188A5D-512	EX9188A8D	EX9188A8D-512
Flash	512K	512K	512K	512K	512K	512K
SRAM	256K	512K	256K	512K	256K	512K
RTC	x	v	x	v	x	v
COM1	RS232/485 *1	RS232/485 *1	RS232(5wire) *2	RS232(5wire) *2	RS232(5wire) *2	RS232(5wire) *2
COM2	RS485	RS485	RS485	RS485	RS485	RS485
COM3	RS232(3wire)	RS232(3wire)	RS232(3wire)	RS232(3wire)	RS232(3wire)	RS232(3wire)
COM4	RS232(3wire) *2	RS232(3wire) *2	RS232(3wire)	RS232(3wire)	RS232(3wire)	RS232(3wire)
COM5	x	x	RS232(3wire)	RS232(3wire)	RS232(3wire)	RS232(3wire)
COM6	x	x	x	x	RS232(3wire)	RS232(3wire)
COM7	x	x	x	x	RS232(3wire)	RS232(3wire)
COM8	x	x	x	x	RS232(3wire)	RS232(3wire)

\*1: RS232 (5wire) / RS485 (2wire)

\*2: Use to Program download



Use COM4 for Debug System  
(EX9188XD, EX9188XD-512)

