

BPC-300-5110

AMD Geode GX1 300MHz Box PC with CRT, TV-Out and Fast Ethernet



Features

- Low Power AMD Geode GX1 300MHz CPU
- 64MB SDRAM onboard, additional 256MB SO-DIMM
- Support CRT/TV-Out/TTL
- LAN 10/100Mbps, Realtek RTL8100BL
- Compact Flash Disk Type I/II socket

System

CPU	Low power AMD Geode GX1 300MHz CPU FSB333MHz
Cache	2nd level 64KByte
Memory	64MB SDRAM onboard and 1 x 144Pin SO-DIMM up to 256MB SDRAM, total 320MB
Chipset	AMD GX1 + CS5530A
BIOS	Phoenix-AWARD PnP Flash BIOS
ATA/IDE	2 x Ultra DMA 33, support 4 IDE drives
Flash Disk	1 x Type II Compact Flash Disk Socket 1 x Disk On Chip Socket
Watchdog Timer	127-level Reset
Serial port	1 x RS-232 port (COM1) 1 x RS-232/422/485 port (COM2)
Parallel port	SPP/EPP/ECP mode
USB port	2 x USB 1.1 compliant
Expansion BUS	1 x 16bit ISA-based PC/104 interface
LAN	Realtek 8100BL10/100base-T
Audio	Realtek ALC202A AC97 Codec, support Mic-in/Line-in/Line-out

I/O

Serial port	1 x RS-232 port (COM1)
USB port	2 x USB 1.1 compliant
KB & MS	1 x PS2 K/B and Mouse
LAN	1 x RJ45
Switch	1 x power ON/OFF
Display	1 x DB15
TV-out	1 x TV-out
Flash Disk	1 x Type II Compact Flash Disk Socket

Display

Graphics Chipset	AMD CS5530A Graphics Engine up to 4MByte UMA Video RAM
Graphics Interface	CRT support up to 1024 x 768 LCD support 18 bit TTL up to 1024 x 768 TV-Out support NTSC/PAL up to 640 x 480

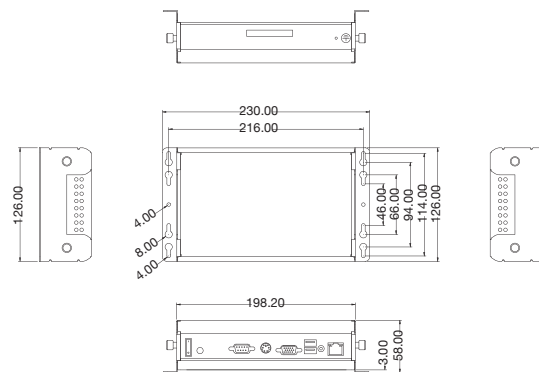
Power Supply

AC power Input	90 ~ 260V/50 ~ 60Hz 1.5A max.; 12V @ >3Am
DC power Output	+12Vdc±5% rate @ 4.2A max., 50W

Mechanical & Environmental

Operating Temp.	0 ~ 40°C
Dimension (W x D x H)	198 x 126 x 55mm (7.8" x 5" x 2.2")
Weight	1.15 kg (2.53 lb)
Mounting	Wallmount or Desktop

Dimensions



Unit:mm

Ordering Information

BPC-300-5110	AMD Geode GX1 300MHz Box PC with CRT, TV-out and Fast Ethernet, including AC-DC power adaptor +12V@ 4.2A
Optional	External I/O Serial port: Additional RS-232/422/485 (COM2) Parallel Port:1 x DB-25 Audio: Mic-in, Line-in, Line-out