

# P0715

7" Compact Intel Low Voltage PIII/Celeron Panel PC



## Features

- Intel Low Voltage Celeron CPU
- Fanless Design
- DC 12V input
- Compact Flash Socket
- Mini-PCI Socket for expansion
- LCD OSD function support

## System

<b>CPU</b>	Intel Low Voltage Celeron 400~733MHz CPU FSB100/133MHz
<b>Cache</b>	2nd Level 256K
<b>Memory</b>	1 x 144Pin SO-DIMM up to 512MB SDRAM
<b>VRAM</b>	SMI722 G8 Lynx 3D+ engine 8MB Video RAM on chip
<b>Chipset</b>	Intel 815E + Intel CH2
<b>ATA / IDE</b>	Ultra DMA 33, support 1 IDE drives
<b>Watchdog Timer</b>	127-level Reset
<b>Audio</b>	Realtek ALC202A AC97 Codec, support Line-out
<b>LAN</b>	Intel 82562ET 10/100base-T, Autoswitching
<b>System Fan</b>	1 x 4cm x 4cm / 8 CFM

## I/O

<b>Serial Port</b>	2 x RS-232 ports (COM1/2)
<b>USB Port</b>	2 x USB 1.1 compliant
<b>KB / MS</b>	1 x PS2 K/B and Mouse
<b>LAN</b>	RJ 45

## LCD Display

<b>Size / Type</b>	7" TFT Color LCD
<b>Max. Resolution</b>	800 x 480, SVGA
<b>Touch Screen</b>	7" 4Wire Resistive (USB Interface)
<b>Pixel Pitch</b>	0.3075mm x 0.3075mm
<b>Viewing Angle</b>	160°(v), 160°(H)
<b>Luminance (cd/m2)</b>	300
<b>Back Light MTBF</b>	50,000 hours

## Storage

<b>HDD / Type</b>	1 x built-in 2.5" vibration Resistant HDD bay
<b>Flash Disk</b>	1 x Type II Compact Flash Disk Socket (Internal)

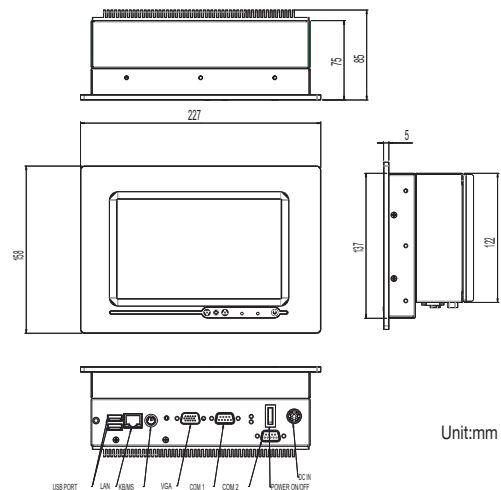
## Power Supply

<b>Output rating</b>	63W
<b>Input voltage</b>	DC 12V Input

## Mechanical & Environmental

<b>Operating Temp.</b>	0 ~ 50°C
<b>Storage Humidity</b>	5 ~ 95% (non-condensing)
<b>Vibration</b>	17 ~ 500 Hz, 1 G PTP
<b>Shock</b>	10G/peak (11m sec)
<b>Construction</b>	Heavy-duty steel & Aluminum (Front bezel)
<b>Weight</b>	1.9kg (4.18 lb)
<b>Dimension(WxHxD)</b>	227X158X85mm

## Dimensions



## Ordering Information

<b>P0715-6600/C733</b>	Panel PC with 7" TFT SVGA LCD with Intel Low Voltage Celeron 733MHz CPU FSB133MHz with Resistive Touch screen
<b>P0715-6100/C733</b>	Panel PC with 7" TFT SVGA LCD with Intel Low Voltage Celeron 733MHz CPU FSB133MHz with Tempered Glass
<b>AC power kits</b>	AC 90~260V input for P0715 power kit