

# IEC-7301 / 7302

Half Size 3-Slot Wallmount Chassis



## System

<b>Construction</b>	Heavy-duty steel chassis
<b>Color</b>	Dark Blue (PANTONE 5395C)
<b>Disk Drive bay</b>	1 x 5.25" Drive (Slim size, External) 1 x 2.5" Drive (Internal)
<b>Cooling Fan</b>	1 x 6cm/21 CFM with air filter
<b>Control</b>	Power ON/OFF, System reset, Alarm reset
<b>Indicator</b>	1 x Power ON, 1 x HDD activity, 1 x fan failure alarm
<b>Front I/O</b>	2 x USB ports
<b>Temperature</b>	0 ~ 50°C (32 ~122°F), operation
<b>Humidity</b>	10 ~ 95%, @40°C non-condensing
<b>Regulation</b>	FCC Class A, CE
<b>Net Weight</b>	3.2 kg (7 lb)
<b>Gross Weight</b>	3.8 kg (8.4 lb)

## Backplane

Model Name	System	Expansion Slots
<b>PBI-3S</b>	Single	3 x ISA
<b>PBP-3SA</b>	Single	1 x PISA/2X PCI
<b>PBPCI-3SA</b>	Single	3 x PCI

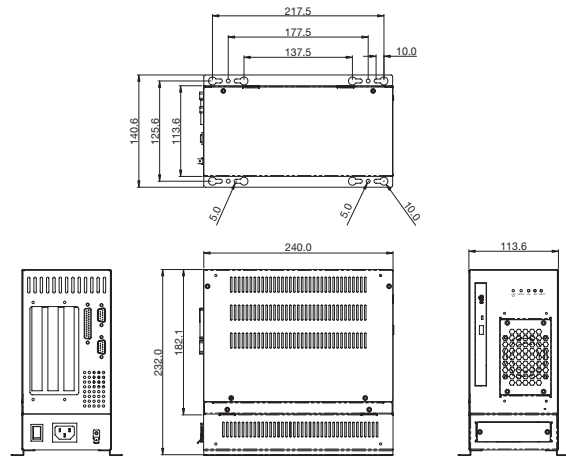
## Power Supply

Model Name	Watt	Input Range	Max. Load	Min. Load
IPS-SNP-8071-A	70W	90~265V AC	+5V@12A	
(Open frame)		47~63Hz	+12V@2.5A	
		(Auto)	-12V@0.3A	

## Ordering Information

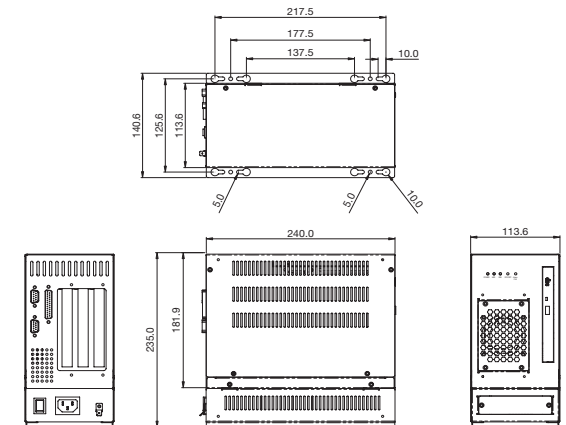
Model Name	w/Backplane	w/Power Supply
IEC-7301-I03A-FR070	PBPCI-3SA	IPS-SNP-8071-A
IEC-7302-P03A-FR070	PBP-3SA	IPS-SNP-8071-A
IEC-7302-S03A-FR070	PBI-3S	IPS-SNP-8071-A

## Dimensions



IEC-7301

Unit:mm



IEC-7302