

IEC-7801

Half Size 8-Slot Wallmount Chassis



System

| | |
|-----------------------|--|
| Construction | Heavy-duty steel chassis |
| Color | Dark Blue (PANTONE 5395C) |
| Disk Drive bay | 1 x 5.25" Drive (External) 2 x 3.5" Drives (1 x External, 1 x Internal) |
| Cooling Fan | 1 x 9cm/50 CFM with air filter |
| Control | Power ON/OFF, System Reset, Alarm Reset |
| Indicator | 1 x Power ON, 1 x HDD activity, 1 x fan failure alarm |
| Front I/O | 2 x USB ports |
| Temperature | 0 ~ 50°C (32 ~ 122°F), operation |
| Humidity | 10 ~ 95%, @40°C non-condensing |
| Regulation | FCC Class A, CE |
| Net Weight | 5.4 kg (11.9 lb) |
| Gross Weight | 6.5 kg (14.3 lb) |

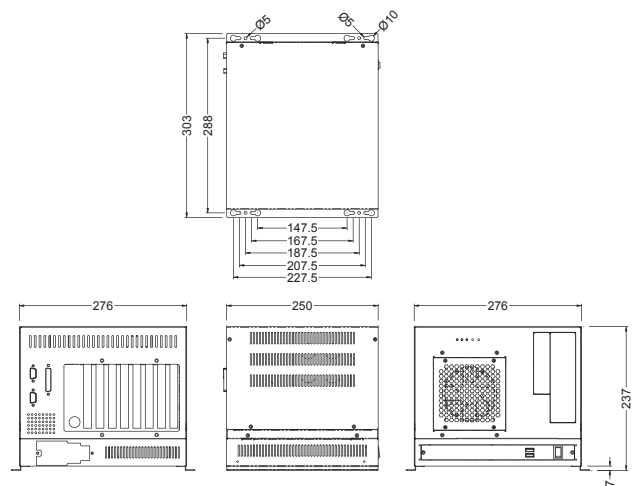
Backplane

| Model Name | System | Expansion Slots |
|------------|--------|------------------------------|
| PBI-8SA | Single | 8 x ISA |
| PBPCI-6SA | Single | 7 x PCI |
| PBP-8SA | Single | 1 x PISA / 3 x ISA / 4 x PCI |

Power Supply

| Model Name | Watt | Input Range | Max. Load | Min. Load |
|---------------|------|-------------|-----------|-----------|
| IPS-PIA-6200P | 200W | 90~264V AC | +5V@25A | +5V@3A |
| | | (ATX) | +12V@8A | +12V@8A |
| | | (AUTO) | -5V@0.5A | -12V@0.5A |

Dimensions



Unit:mm

Ordering Information

| Model Name | w/Backplane | w/Power Supply |
|---------------------|-------------|----------------|
| IEC-7801-S08A-1X200 | PBI-8SA | IPS-PIA-6200P |
| IEC-7801-I06A-1X200 | PBPCI-6SA | IPS-PIA-6200P |
| IEC-7801-P08A-1X200 | PBP-8SA | IPS-PIA-6200P |